



Minotaur
MSR14T



safety monitoring relays & control units



0

Monitoring safety relay with auto reset.
Relais-Sicherheitsbaustein mit automatischem reset.
Relais de sécurité avec rearmement automatique.

Contacts



2 Safety, 1 Aux (outputs)

Protection

IP20

Conduit Entries

N/A

Fixing

35mm DIN Rail

Switching Capacity

250V AC, 4A 30V DC, 2A

Conformity To Standards

EN60204-1, EN954-1

EMC Tested

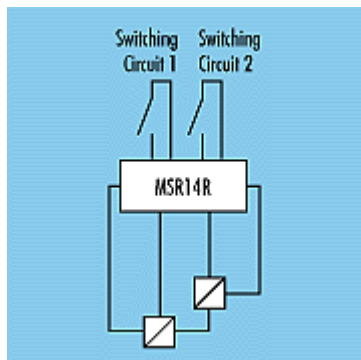
EMC

Comments

Failsafe internal monitoring, monitors contactors + 2 safety inputs. Auto reset

Approx. Dimensions

86 x 23 x 118mm

Application Examples

Ordering Details

Type	PartNo.
24V DC	23047

[Installation sheet \(PDF\)](#) - (176K) (To view the **Installation sheet you will need the [Acrobat reader/plug in](#)**).

For a more detailed dimension drawing in DXF format, please [contact Guardmaster](#) Technical Support.

[Home](#) | [Seminars](#) | [Product Reference](#) | [New Products](#) | [Distributors](#) | [Links](#) | [Safety Publications](#) | [Contact Guardmaster](#)

Page last updated: 7/11/97