

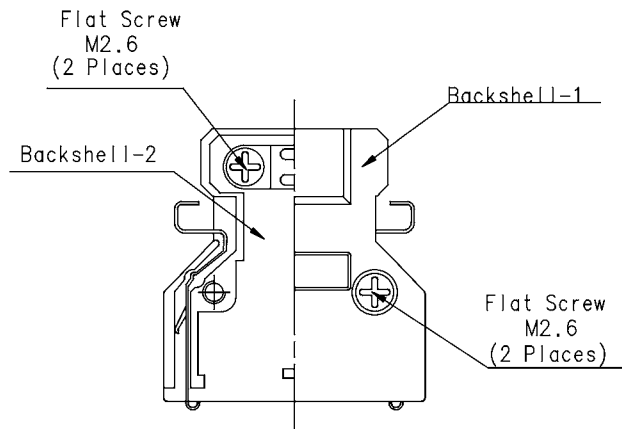
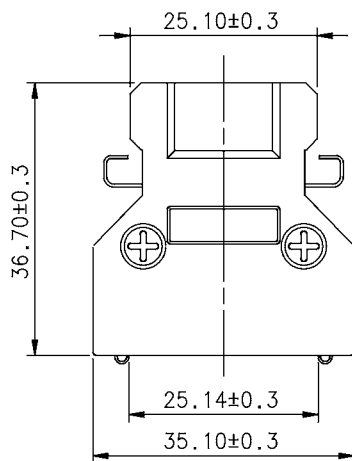
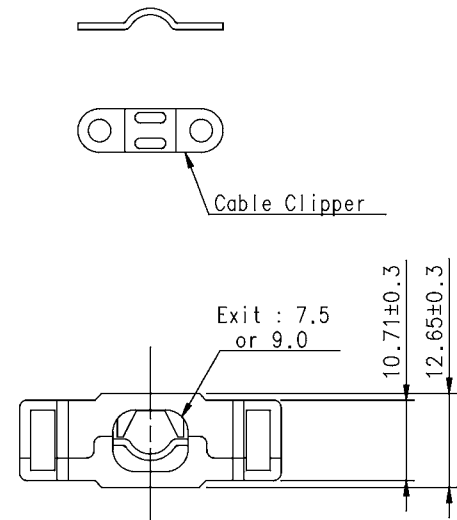
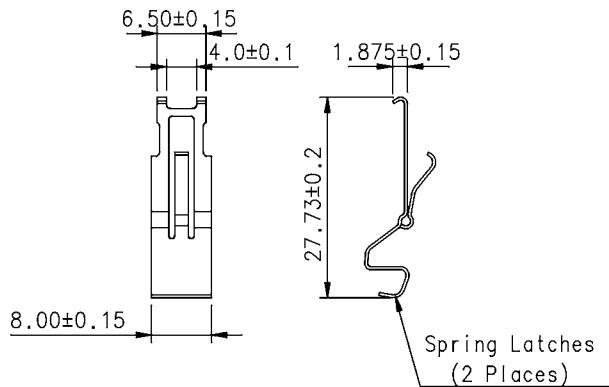
MD5 ML 26 S90

SERIES

plastic hood
with spring latches

SIZE

Entry and hole size :
S75 : straight entry dia. 7,50
S90 : straight entry dia. 9,00



FEATURES:

- Round cable straight exit
- Strain relief staple with spring latches
- Backshell desing by Die-Cast
- Excellent EMI/RFI protection

MATERIALS:

- Backshell: Zinc plated nickel over copper
- Spring latches: Phosphor Bronze over Nickel
- Flat Screw: steel nickel plated over copper
- Cable Clipper: steel nickel plated

Amphenol Socapex		TOL. GEN.							
Usine de Dole		VOLUME PIECE							
		SURFACE PIECE							
		PROTECTION							
		TRAITEMENT							
		MATIERE							
ECH. 1,5	ENS.								
N SERIE									
DATE DU TIRAGE		DOSSIER	CLIENT	CREATION PLAN	ATO	30/05/2005	ATO	Approb	IND.
DESIGNATION		MINI D SERIES			N INTERNE				
					MD5 ML 26				