

## keypad

packaging of 10 pcs.



### recommended accessories:

-

	marking	electrical switching	material of con- tacts	colour of key	colour of marking	part no.	technical drawing	mounting dimension	components layout
<b>keypad</b> plastic keys for in- ternal use	12 (telephone)	common point	carbon/Au	white	black	<b>ECO.12100.06</b>	1	1	1
		matrix	carbon/Au	white	black	<b>ECO.12150.06</b>	1	1	1
	16 (hexadecimal II)	common point	carbon/Au	white	black	<b>ECO.16200.06</b>	2	1	2
		matrix	carbon/Au	white	black	<b>ECO.16250.06</b>	2	1	2

technical drawing as of page ECO.3. mounting dimensions ECO.3. components layouts as of page ECO.4

## ECO

### electrical characteristics

**contact power rating**

nominal: 0,5 W

**contact resistance**

< 200 Ω

**current**

nominal: 20 mA,

minimum: 10 mA

**ESD protection**

5000 V

**insulation resistance**

at 100 V<sub>cc</sub>: > 1000 MΩ

**life time**

at nominal rating: > 10<sup>6</sup> operations

**voltage**

nominal: 24 V,

maximum: 24 V,

minimum: 500 mV

### mechanical characteristics

**actuating force**

1,2 N +/- 35%

**actuating travel**

1,4 mm +/- 0,1

**contacts**

carbon/Au

**marking height**

3,5 mm

### climatic characteristics

**service temperature**

-20°C + 60°C

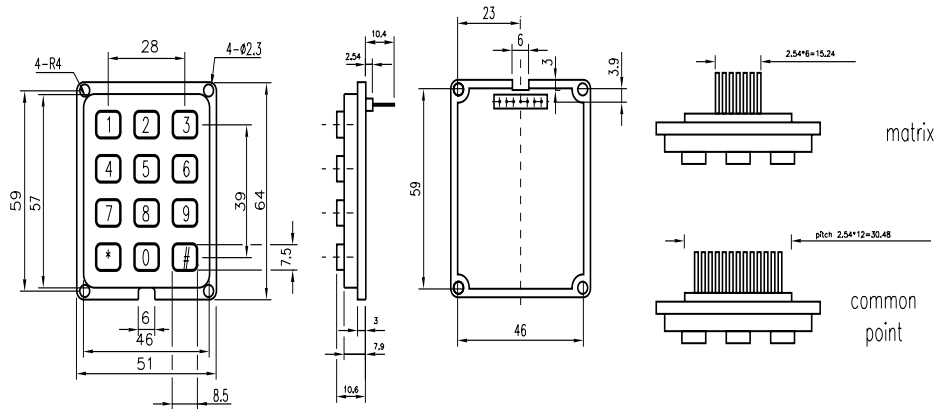
**storage temperature**

-40°C + 65°C

## Technical Drawing

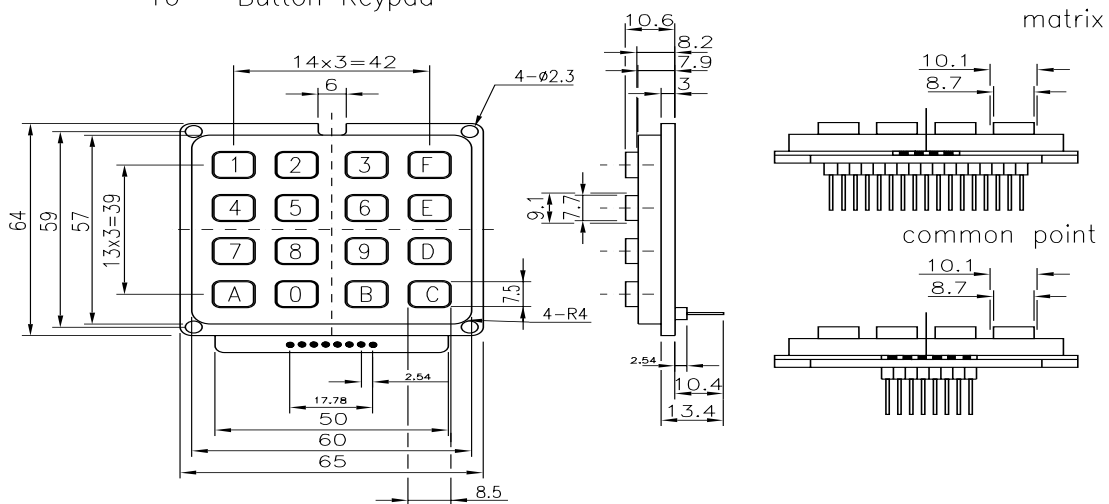
### 1 keypad page ECO.1

12 - BUTTON KEYPAD



### 2 keypad page ECO.1

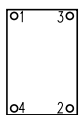
16 - Button Keypad



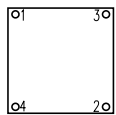
## Mounting Dimension

### 1 keypad page ECO.1

Flush mount  
4 holes in the angles



12 Buttons



16 Buttons

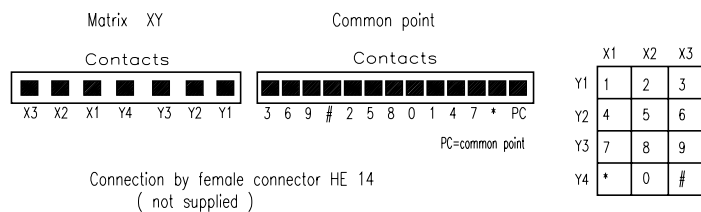
## Components Layouts

### 1 keypad

page ECO.1

12 KEYS – CONNECTOR

(rear view)



### 2 keypad

page ECO.1

16 KEYS – CONNECTOR

(rear view)

