

VHF power amplifier modules

BGY32; BGY33;
BGY35; BGY36

FEATURES

- Broadband VHF amplifiers
- 18 W output power
- Direct operation from 12 V vehicle electrical systems.

APPLICATIONS

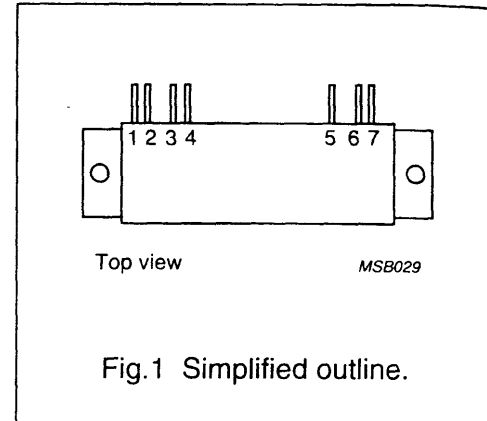
- Mobile communication equipment.

DESCRIPTION

The BGY32, BGY33; BGY35 and BGY36 are two stage amplifier modules in a SOT132B package. Each module comprises two NPN silicon planar transistor dies together with lumped-element matching components.

PINNING - SOT132B

PIN	DESCRIPTION
1	RF input
2	ground
3	V _{S1}
4	ground
5	V _{S2}
6	ground
7	RF output
Flange	ground



QUICK REFERENCE DATA

RF performance at $T_h = 25\text{ }^\circ\text{C}$.

TYPE	MODE OF OPERATION	f (MHz)	V _{S1} ; V _{S2} (V)	P _D (mW)	P _L (W)	Z _S , Z _L (Ω)
BGY32	CW	68 to 88	12.5	100	>18; typ. 23	50
BGY33	CW	80 to 108	12.5	100	>18; typ. 22	50
BGY35	CW	132 to 156	12.5	150	>18; typ. 22	50
BGY36	CW	148 to 174	12.5	150	>18; typ. 21	50

WARNING

Product and environmental safety - toxic materials

This product contains beryllium oxide. The product is entirely safe provided that the BeO disc is not damaged. All persons who handle, use or dispose of this product should be aware of its nature and of the necessary safety precautions. After use, dispose of as chemical or special waste according to the regulations applying at the location of the user. It must never be thrown out with the general or domestic waste.

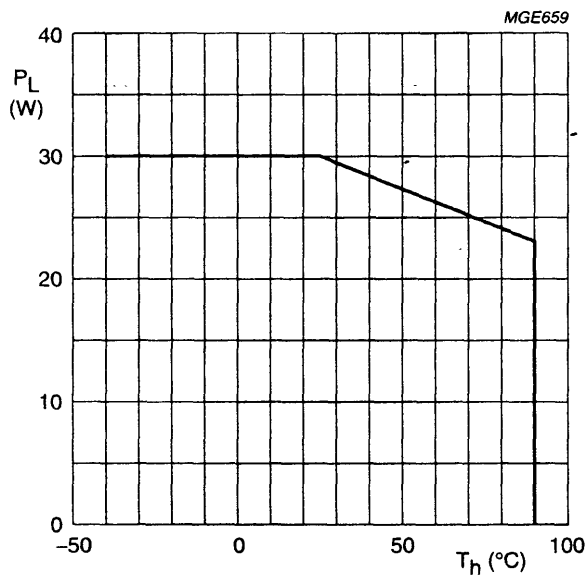
VHF power amplifier modules

BGY32; BGY33; BGY35; BGY36

LIMITING VALUES

In accordance with the Absolute Maximum Rating System (IEC 134).

SYMBOL	PARAMETER	MIN.	MAX.	UNIT
V_{S1}	DC supply voltage	-	15	V
V_{S2}	DC supply voltage	-	15	V
V_i	RF input terminal voltage	-	± 25	V
V_o	RF output terminal voltage	-	± 25	V
P_D	input drive power	-	200	mW
	BGY32; BGY33	-	300	mW
P_L	load power	-	30	W
	BGY35; BGY36	-	30	W
T_{stg}	storage temperature	-40	+100	$^{\circ}\text{C}$
T_h	operating heatsink temperature	-	90	$^{\circ}\text{C}$



VSWR = 1.

Fig.2 Power derating curve.

VHF power amplifier modules

BGY32; BGY33; BGY35; BGY36

CHARACTERISTICS

$Z_S = Z_L = 50 \Omega$; $V_{S1} = V_{S2} = 12.5 \text{ V}$; $T_h = 25 \text{ }^\circ\text{C}$; unless otherwise specified.

SYMBOL	PARAMETER	CONDITIONS	MIN.	TYP.	MAX.	UNIT
f	frequency					
	BGY32		68	–	88	MHz
	BGY33		80	–	108	MHz
	BGY35		132	–	156	MHz
	BGY36		148	–	174	MHz
I_{Q1}	leakage current	$P_D = 0$	–	6	–	mA
I_{Q2}	leakage current	$P_D = 0$	–	13	–	mA
P_L	load power					
	BGY32	$P_D = 100 \text{ mW}$	18	23	–	W
	BGY33	$P_D = 100 \text{ mW}$	18	22	–	W
	BGY35	$P_D = 150 \text{ mW}$	18	22	–	W
	BGY36	$P_D = 150 \text{ mW}$	18	21	–	W
η	efficiency		40	50	–	%
H_2	second harmonic		–	–	–25	dBc
H_3	third harmonic		–	–	–25	dBc
$V_{SWR_{in}}$	input VSWR	with respect to 50Ω	–	1.5	–	
	stability	$V_{S1} = 6 \text{ to } 15 \text{ V}$; $V_{S2} = 10 \text{ to } 15 \text{ V}$; $V_{S1} \leq V_{S2}$; $P_D = 50 \text{ to } 200 \text{ mW}$; $V_{SWR} \leq 3 : 1$ through all phases;	–	–	–60	dBc

VHF power amplifier modules

BGY32; BGY33; BGY35; BGY36

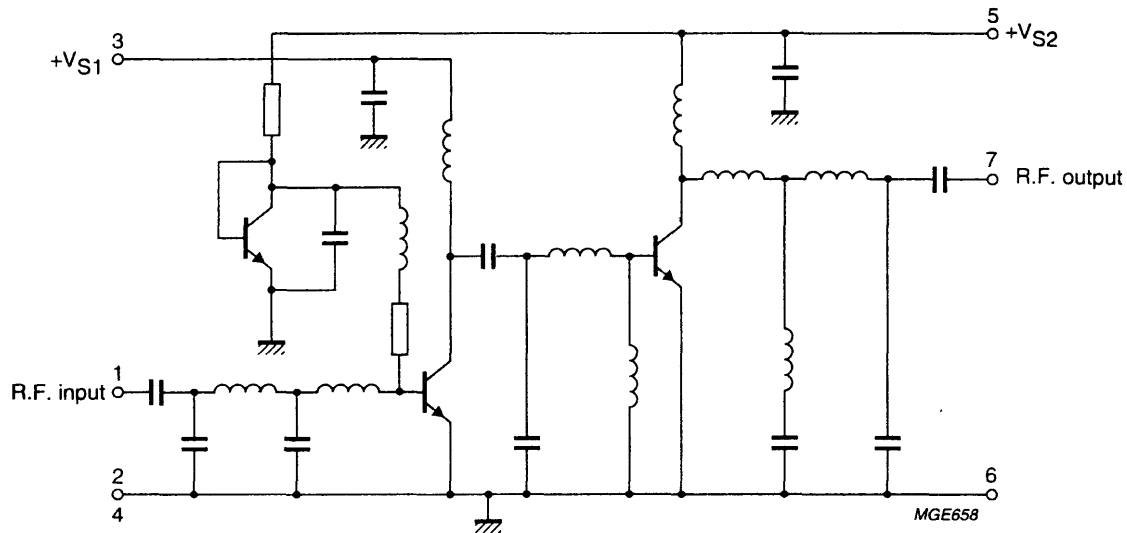


Fig.3 Circuit diagram.

Ruggedness

The module will withstand a load mismatch VSWR of 50:1 (all phases) for short period overload conditions, with P_D , V_{S1} and V_{S2} at maximum values providing the combination does not result in the matched RF output power rating being exceeded.

MOUNTING

To ensure good thermal transfer the module should be mounted on a heatsink with a flat surface with heat-conducting compound applied between module and heatsink. If an isolation washer is used, heatsink compound should be applied to both sides of the washer. Burrs and thickening of the holes in the heatsink should be removed and 3 mm bolts tightened to a maximum torque of 0.5 Nm. The leads of the devices may be soldered directly into a circuit using a soldering iron with a maximum temperature of 245 °C for not more than 10 seconds at a distance of at least 1 mm from the plastic.

APPLICATION INFORMATION**Supply**

An electrolytic capacitor of 10 μ F, 25 V, in parallel with a polyester capacitor of 100 nF to earth, is recommended as a decoupling arrangement for each power supply pin.

Power rating

In general it is recommended that the output power from the module under nominal conditions should not exceed 23 W in order to provide an adequate safety margin under fault conditions.

Output power control

The module is not designed to be operated over a large range of output power levels. The purpose of the output power control is to set the nominal output power level. The preferred method of output power control is by varying the drive power between 50 and 200 mW. The next option is by varying V_{S1} between 6 and 12.5 V.