

# Miniature Pushbutton Switches waterproof



## Specifications:

Contact rating:	250 V AC, 3 A / 125 V AC, 6 A 30 V DC, 4 A / 12 V DC, 5 A / 6 V DC, 6 A
Contact resistance:	< 10 mΩ
Insulation resistance:	> 1000 MΩ at 500 V DC
Dielectric strength:	1500 V, 50 Hz for the duration of 1 minute
Operating temperature:	- 45° to + 140° C
Mechanical life:	minimum 30 000 operations
Contacts:	coin silver (common contact copper alloy, silver-plated) also available gold-plated, version B and G (see page 4)
Terminals:	solder tags, copper alloy silver-plated further terminal versions see page 8
Case material:	diallyl-phthalate, black metal parts: nickel-plated
Water proofing:	30 minutes at 1 m water column; IP 67
Sealing:	neoprene O-rings between toggle/bushing and bushing/panel
Mounting:	bushing M 6 x 0,75, key 9 mm
Soldering conditions:	hand-soldering – max.: 60 W, 3 sec, 420° C auto-soldering – max.: 5 sec, 270° C

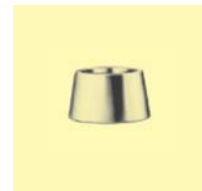
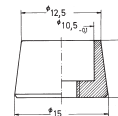
## Accessories\* :

Buttons	∅ (height 8 mm)		∅ (height 10 mm)	
orange	10 mm	KM 403	15 mm	KM 603
blue	10 mm	KM 404	15 mm	KM 604
black	10 mm	KM 405	15 mm	KM 605
green	10 mm	KM 406	15 mm	KM 606
grey	10 mm	KM 407	15 mm	KM 607
yellow	10 mm	KM 408	15 mm	KM 608
red	10 mm	KM 409	15 mm	KM 609
white	10 mm	KM 410	15 mm	KM 610



## Covers

M 6 x 0,75	
Brass, chromium-plated	CO 106
Brass, black, matt finish	CO 106 S



\* Unless otherwise specified, switches are delivered with button KM 405.



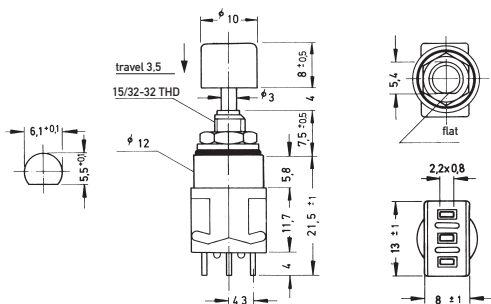
# Miniature Pushbutton Switches waterproof

**Models:**                      Switching functions

**S P D T**

MPE 106 F  
MPE 106 D

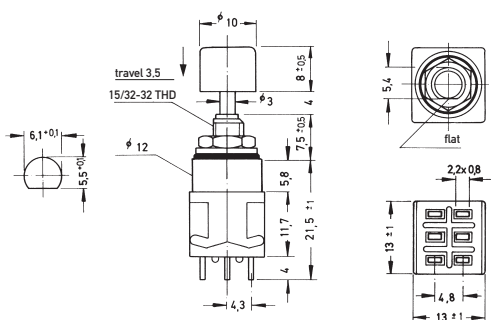
\* on - mom  
on - on



**D P D T**

MPE 206 R  
MPE 206 N

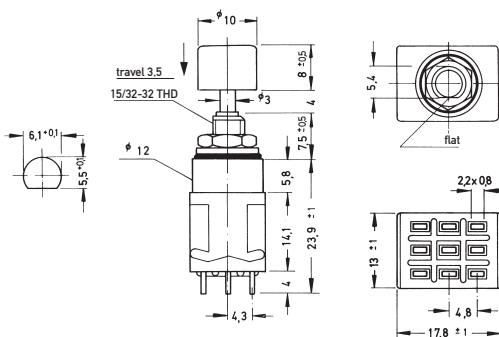
\* on - mom  
on - on



**3 P D T**

MPE 306 F  
MPE 306 D

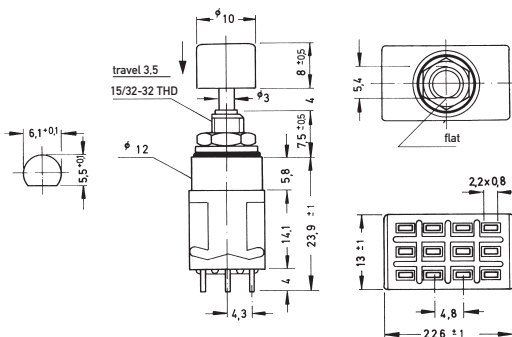
\* on - mom  
on - on



**4 P D T**

MPE 406 R  
MPE 406 N

\* on - mom  
on - on



**3**

\* When looking at the brand name the normally closed contact is on the right-hand side.