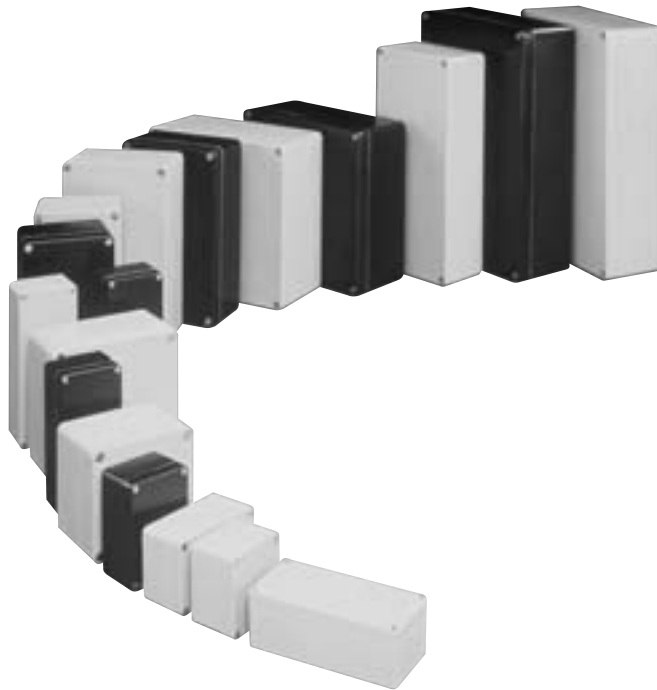


Polyester enclosures CP series



BERNSTEIN polyester enclosures from the CP and CPS series are made of high-quality glass-fibre reinforced polyester. The reduced surface resistance ($RO < 10^9$ ohms) of the black polyester enclosures (CPS) makes them ideally suited to use in 'EX' areas and in generally harsh conditions. They can encapsulate electrical, electronic and control components. All enclosures comply with protection class IP 65 (according to DIN).

BERNSTEIN polyester enclosures provide either M4 or M6 internal mounting options, depending on the size of the base. These galvanised brass bushes are embedded in the interior of the base, permitting the assembly of mounting plates, mounting rails, PCBs etc.

The captive stainless steel lid screws are held in place by a lock integrated in the lid. The threaded bushes for lid attachment are also made of stainless steel. A gasket is factory-fitted (for standard enclosures), guaranteeing the protection class. The polyester enclosures are available in grey (RAL 7000, light grey) or black material (RAL 9005, jet black), as standard.

Technical data

Material

Glass-fibre reinforced polyester in grey or glass-fibre reinforced polyester in black

Gasket

Neoprene round seal (siliconised)
alternative:
Neoprene round seal (silicone-free)
Silicone round seal

Lid screws

Stainless steel, captive, multi-purpose cross-head
alternative:
Allen screws, stainless steel, captive

Colour

RAL 7000 (grey)
or RAL 9005 (deep black)
alternative:
other colours on request

Temperature

-40 °C to +80 °C (neoprene gasket)
alternative:
-50 °C to +130 °C (silicone gasket)
or -30 °C to +100 °C
(explosion-hazardous areas)

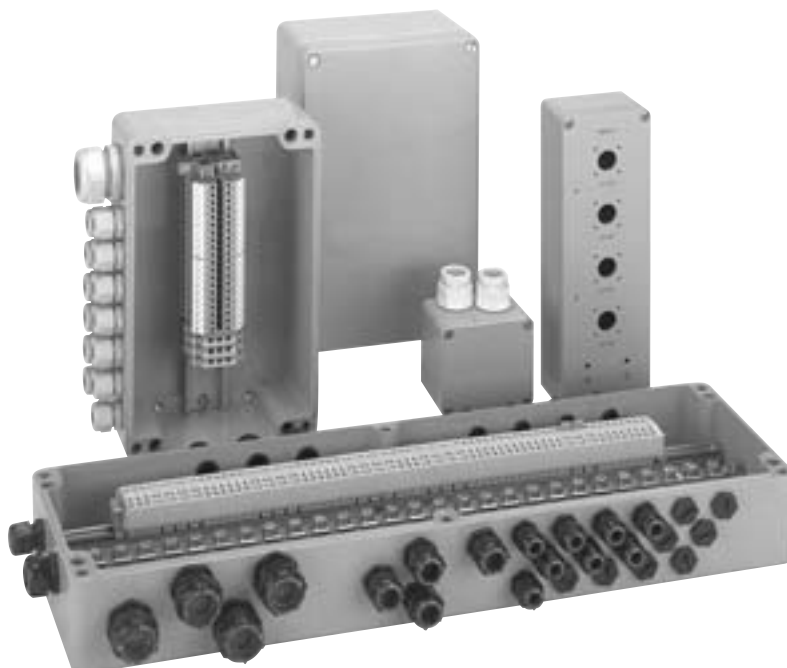
Protection class

IP 65
alternative:
higher protection classes on request

Approval

German Lloyd: No. 91 186 - 84HH

UL: File E 182264

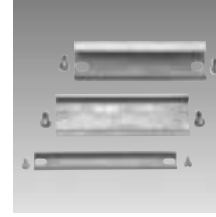


Accessories Polyester enclosures



Mounting plates

galvanised sheet steel or laminated paper (thickness: CP-140 to CP-195, laminated paper 1.5 mm; CP-220 to CP-320 and CP-370 to CP-460 sheet steel 1.5 mm; CP-330 sheet steel 2.5 mm), permitting the extended mounting of equipment.



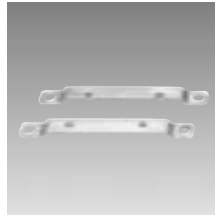
Mounting rails

Standard rails TS-15, TS-32 or TS-35 (steel), yellow-passivated for holding terminal blocks.



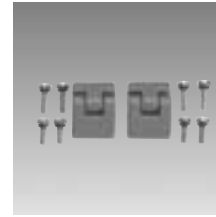
Earthing rails

Galvanised steel for connecting and routing of protective earth connections.



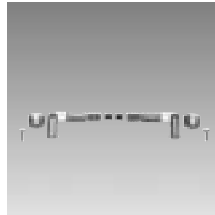
External attachment brackets

Stainless steel for mounting enclosures without lid opening. The butt-straps always run in parallel to the narrow face of the enclosures.



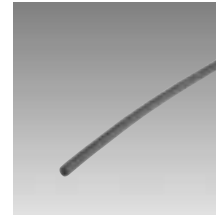
External hinges

For hinged attachment of the enclosure lid. Opening angle of lid approx. 155°. Aluminium casting, RAL 7001 or RAL 9005. Mechanical machining is required for mounting. Drill template is supplied.



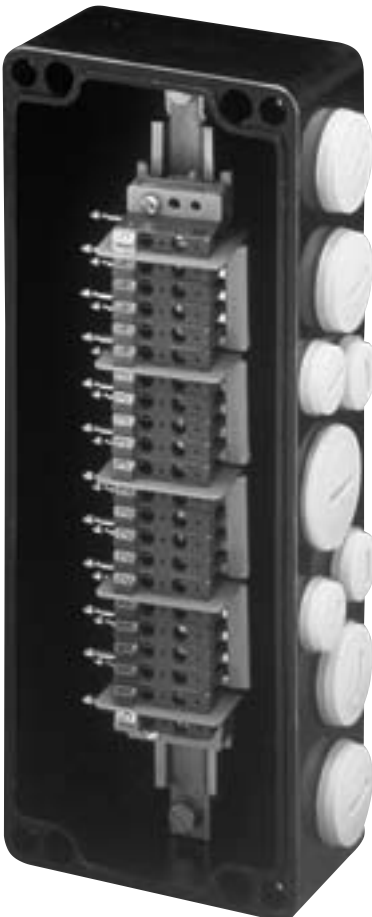
Internal hinges

For hinged attachment of the enclosure lid. Opening angle of lid approx. 95°. Stainless steel. Mechanical machining is required for mounting.



Silicone lid gasket

with improved temperature range (-50 °C to +130 °C). Standard type made of silicone foam.



Overview – polyester enclosures

Dimensions/mm L x W x H	Polyester enclosures (grey)		Polyester enclosures (black)	
	Part number	Type	Part number	Type
80 x 75 x 55	414.0.0000.00	CP-140	514.0.0000.00	CPS-140
80 x 75 x 75	414.0.0000.50	CP-145	514.0.0000.50	CPS-145
110 x 75 x 55	415.0.0000.00	CP-150	515.0.0000.00	CPS-150
110 x 75 x 75	415.0.0000.50	CP-155	515.0.0000.50	CPS-155
160 x 75 x 55	417.0.0000.00	CP-170	517.0.0000.00	CPS-170
160 x 75 x 75	417.0.0000.50	CP-175	517.0.0000.50	CPS-175
190 x 75 x 55	419.0.0000.00	CP-190	519.0.0000.00	CPS-190
190 x 75 x 75	419.0.0000.50	CP-195	519.0.0000.50	CPS-195
122 x 120 x 90	422.0.0000.00	CP-220	522.0.0000.00	CPS-220
220 x 120 x 90	424.0.0000.00	CP-240	524.0.0000.00	CPS-240
160 x 160 x 90	428.0.0000.00	CP-280	528.0.0000.00	CPS-280
260 x 160 x 90	430.0.0000.00	CP-300	530.0.0000.00	CPS-300
360 x 160 x 90	432.0.0000.00	CP-320	532.0.0000.00	CPS-320
560 x 160 x 90	433.0.0000.00	CP-330	533.0.0000.00	CPS-330
255 x 250 x 120	437.0.0000.00	CP-370	537.0.0000.00	CPS-370
400 x 250 x 120	440.0.0000.00	CP-400	540.0.0000.00	CPS-400
400 x 405 x 120	445.0.0000.00	CP-450	545.0.0000.00	CPS-450
400 x 405 x 165	446.0.0000.00	CP-460	546.0.0000.00	CPS-460

Component overview polyester enclosures

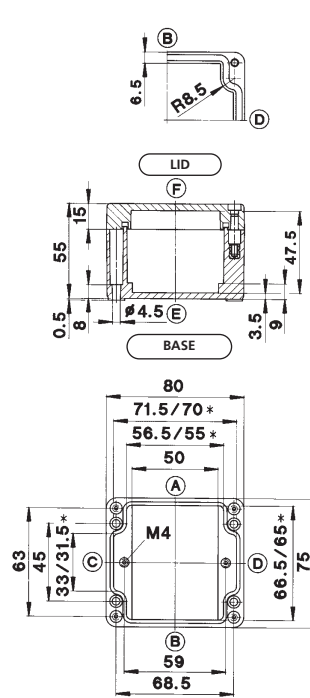
Model	Weidmüller			Phoenix			Wieland			Entelec						Phoenix								
	Block terminal			Block terminal			Block terminal			Terminal block						Terminal block								
Terminal width (mm):										5.2	6.2	5.2	6.2	6.2	8.2	10.2	12.2	5.2	6.2	7.5	5.2	6.2	8.2	10.2
Single-core mm ²	4	4	4	4	4	4	2.5	2.5	2.5	2.5	4	4	6	4	10	16	25	2.5	4	10	4	4	10	16
Stranded mm ²	4	4	4	4	4	4	2.5	2.5	2.5	1.5	4	2.5	4	4	6	10	16	1.5	4	6	2.5	4	6	10
Nominal voltage V	380	380	380	500	500	500	500	500	500	250	380	750	750	750	750	750	750	–	500	500	750	750	750	750
Loading capacity A	36	36	36	36	36	36	25	25	25	20	35	26	35	35	46	63	85	27	36	65	36	36	65	87
Terminal bridging	–	–	–	–	–	–	–	–	–	–	○	○	○	○	–	○	○	○	○	–	○	○	○	○
Mounting rail TS 15	–	–	–	–	–	–	–	–	–	○	○	–	–	–	–	–	–	○	○	○	–	–	–	–
TS 32	–	–	–	–	–	–	–	–	–	–	–	○	○	○	○	○	○	–	–	–	○	○	○	○
TS 35	–	–	–	–	–	–	–	–	–	–	–	○	○	○	○	○	○	–	–	–	○	○	○	○
Part number	9.40.1.0100.00	9.40.1.0090.00	9.40.1.0130.00	9.40.1.0020.00	9.40.1.0030.00	9.40.1.0040.00	9.40.1.0050.00	9.40.1.0060.00	9.40.1.0080.00	9.40.2.1270.00	9.40.2.0940.00	9.40.2.1090.00	9.40.2.1030.00	9.40.2.1280.00	9.40.2.1040.00	9.40.2.1050.00	9.40.2.1060.00	9.40.2.0010.00	9.40.2.0020.00	9.40.2.0030.00	9.40.2.0050.00	9.40.2.0070.00	9.40.2.0090.00	9.40.2.0110.00
Type	BK 4	BK 6	BK 12	G 5/4	G 5/6	G 5/12	KL-16/8	KL-16/12	KL-16/20	DR 1.5/5	DR 4/6	MA 2.5/5	M 4/6	MS 4/6	M 6/8	M 10/10	M 16/12	MBK	MBK 5/E	MBK 10	UK 3 N	UK 5 N	UK 10	UK 16
CP-140/145	1	1	–	1	1	–	–	–	–	7	6	–	–	–	–	–	–	7	6	5	–	–	–	–
CP-150/155	–	1	–	–	1	–	1	1	–	13	11	–	–	–	–	–	–	13	11	9	–	–	–	–
CP-170/175	–	–	1	–	–	1	–	–	1	22	19	–	–	–	–	–	–	22	19	15	–	–	–	–
CP-190/195	–	–	–	–	–	–	–	2	1	28	24	–	–	–	–	–	–	28	24	19	–	–	–	–
CP-220	–	–	–	–	–	–	–	–	–	–	–	12	10	10	8	6	5	–	–	–	12	10	8	6
CP-240	–	–	–	–	–	–	–	–	–	–	–	31	26	26	19	16	13	–	–	–	31	26	19	16
CP-280	–	–	–	–	–	–	–	–	–	–	–	19	16	16	12	10	8	–	–	–	19	16	12	10
CP-300	–	–	–	–	–	–	–	–	–	–	–	39	32	32	24	20	16	–	–	–	39	32	24	20
CP-320	–	–	–	–	–	–	–	–	–	–	–	58	48	48	37	29	24	–	–	–	58	48	37	29
CP-330	–	–	–	–	–	–	–	–	–	–	–	96	80	80	61	48	40	–	–	–	96	80	61	48
CP-370	–	–	–	–	–	–	–	–	–	–	–	38	32	32	24	19	16	–	–	–	38	32	24	19
CP-370*)	–	–	–	–	–	–	–	–	–	–	–	76	64	64	48	38	–	–	–	–	76	64	48	38
CP-400	–	–	–	–	–	–	–	–	–	–	–	66	55	55	41	33	28	–	–	–	66	55	41	33
CP-400*)	–	–	–	–	–	–	–	–	–	–	–	132	110	110	82	106	–	–	–	–	132	110	82	66
CP-450	–	–	–	–	–	–	–	–	–	–	–	66	55	55	41	33	28	–	–	–	66	55	41	33
CP-450*)	–	–	–	–	–	–	–	–	–	–	–	132	110	110	82	66	56	–	–	–	132	110	82	66
CP-450**)	–	–	–	–	–	–	–	–	–	–	–	198	165	165	123	99	84	–	–	–	198	165	123	99
CP-460	–	–	–	–	–	–	–	–	–	–	–	66	55	55	41	33	28	–	–	–	66	55	41	33
CP-460*)	–	–	–	–	–	–	–	–	–	–	–	132	110	110	82	66	56	–	–	–	132	110	82	66
CP-460**)	–	–	–	–	–	–	–	–	–	–	–	198	165	165	123	99	84	–	–	–	198	165	123	99

*) Assembled on 2 mounting rails
 **) Assembled on 3 mounting rails
 The number of terminals is reduced when partitions are used.

	Siemens				WAGO												Weidmüller											
	Terminal block		Terminal block		Terminal block												Terminal block											
	Screw terminals				Caged tension spring		6.2	10.2	6.2	10.2	4.2	5.2	5.2	6.2	6.2	8.2	10.2	12.2	5.2	6.2	6.2	6.5	8.2	10.2	12.2	5.2	6.2	
	4	6	10	25	4	4	10	2.5	2.5	2.5	2.5	1.5	2.5	2.5	4	4	6	10	16	2.5	4	4	6	10	16	25	4	6
	2.5	4	6	16	2.5	4	6	2.5	2.5	2.5	2.5	1.5	2.5	2.5	4	4	6	10	16	1.5	4	2.5	4	6	10	15	2.5	4
	750	750	750	750	750	750	750	800	800	800	800	800	800	800	800	800	800	800	800	250	380	750	750	750	750	750	750	750
	26	35	46	85	36	36	65	26	26	26	26	18	26	26	34	34	44	61	82	27	36	27	36	47	65	87	26	34
	○	○	○	○	○	○	○	○	○	○	○	○	○	○	○	○	○	○	○	○	○	○	○	○	○	○	○	○
	-	○	-	-	-	-	-	○	○	-	-	-	-	-	-	-	-	-	-	○	○	-	-	-	-	-	-	-
	-	-	-	-	-	-	-	-	-	-	-	-	-	-	-	-	-	-	-	-	-	○	○	○	○	○	-	-
	○	○	○	○	○	○	○	-	-	○	○	○	○	○	○	○	○	○	○	-	-	-	-	-	-	-	○	○
	9.40.2.4000.00	9.40.2.4010.00	9.40.2.4020.00	9.40.2.4030.00	9.40.2.4040.00	9.40.2.4050.00	9.40.2.4060.00	9.40.2.3020.00	9.40.2.3030.00	9.40.2.3210.00	9.40.2.3220.00	9.40.2.3230.00	9.40.2.0930.00	9.40.2.3240.00	9.40.2.3250.00	9.40.2.3260.00	9.40.2.3270.00	9.40.2.3280.00	9.40.2.3290.00	9.40.2.0500.00	9.40.2.0130.00	9.40.2.0140.00	9.40.2.0150.00	9.40.2.0160.00	9.40.2.0470.00	9.40.2.0170.00	9.40.2.1460.00	9.40.2.1470.00
	8WA1011- 1DF11	8WA1011- 1DG11	8WA1011- 1DH11	8WA1204	8WA2011- 1DF20	8WA2011- 1DG20	8WA2011- 1DH20	264-701	264-721	264-711	264-731	279-621	280-601	280-901	281-601	281-901	282-601	284-601	283-601	AKZ 2.5 PA	AKZ 4 PA	SAK 2.5 PA	SAK 4 PA	SAK 6 NPA	SAK 10 PA	SAK 16 PA	WDU 2.5	WDU 4
	-	-	-	-	-	-	-	7	4	-	-	-	-	-	-	-	-	-	-	7	6	-	-	-	-	-	-	
	-	-	-	-	-	-	-	12	7	-	-	-	-	-	-	-	-	-	-	13	11	-	-	-	-	-	-	
	-	-	-	-	-	-	-	20	12	-	-	-	-	-	-	-	-	-	-	22	19	-	-	-	-	-	-	
	-	-	-	-	-	-	-	25	15	-	-	-	-	-	-	-	-	-	-	28	24	-	-	-	-	-	-	
	12	11	9	17	14	12	9	-	-	13	7	20	16	16	13	13	9	8	6	-	-	10	10	8	6	5	12	10
	28	26	21	17	33	28	21	-	-	29	17	44	35	35	29	29	22	17	14	-	-	26	25	19	16	13	31	26
	16	15	12	9	19	16	12	-	-	17	10	26	20	20	17	17	12	10	8	-	-	16	15	12	10	8	19	16
	35	32	26	21	41	34	26	-	-	33	20	51	40	40	33	13	25	20	16	-	-	32	31	24	20	16	39	32
	52	48	39	31	60	50	38	-	-	50	30	76	60	60	50	50	37	30	25	-	-	48	46	37	29	24	58	48
	85	78	64	51	98	82	62	-	-	83	50	125	100	100	83	83	62	50	41	-	-	86	74	61	48	40	96	80
	34	32	26	20	40	33	25	-	-	33	21	53	42	42	35	35	26	21	17	-	-	32	30	24	19	16	38	32
	68	64	52	40	80	66	50	-	-	66	42	106	84	84	70	70	52	42	37	-	-	64	60	48	38	-	76	64
	58	54	44	35	68	57	43	-	-	59	35	89	71	71	59	59	44	35	29	-	-	55	52	41	33	28	66	55
	116	108	88	70	136	114	86	-	-	118	70	178	142	142	118	118	88	70	58	-	-	110	104	82	106	-	132	110
	59	54	44	35	68	57	43	-	-	59	35	90	71	71	59	59	44	35	29	-	-	55	52	41	33	28	66	55
	118	108	88	70	136	114	86	-	-	118	70	180	142	142	118	118	88	70	58	-	-	110	104	82	66	56	132	110
	177	162	132	205	204	171	129	-	-	117	105	270	213	213	177	177	132	105	87	-	-	165	156	123	99	84	198	165
	59	54	44	35	68	57	43	-	-	-	-	-	-	-	-	-	-	-	-	-	-	55	52	41	33	28	66	55
	118	108	88	70	136	114	86	-	-	-	-	-	-	-	-	-	-	-	-	-	-	110	104	82	66	56	132	110
	177	162	132	205	204	171	129	-	-	-	-	-	-	-	-	-	-	-	-	-	-	165	156	123	99	84	198	165

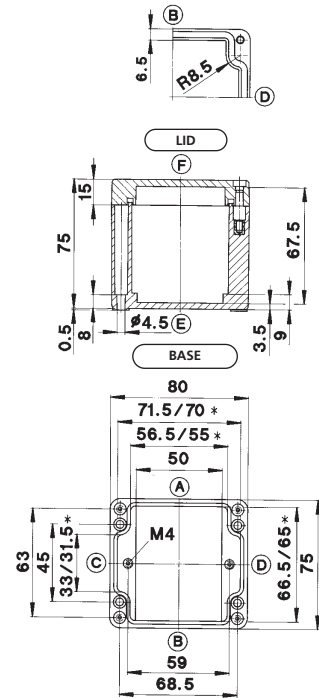
80 x 75 x 55 mm

CP-140
Polyester enclosure, grey
CPS-140
Polyester enclosure, black



80 x 75 x 75 mm

CP-145
Polyester enclosure, grey
CPS-145
Polyester enclosure, black



* minimum dimensions at level of mounting plate support

* minimum dimensions at level of mounting plate support

Type	
Weight (g)	
External dimensions (mm)	
Complete enclosures	
Grey (CP), with gasket and lid screws	
Grey (CP), with gasket, hex. socket head screws	
Grey (CP), with silicone gasket and lid screws	
Black (CPS), with gasket and lid screws	
Black (CPS), with gasket, hex. socket head screws	
Black (CPS), with silicone gasket and lid screws	
Accessories (separate or as a mounting set)	
Mounting plate	
TS 15 mounting rail	
TS 32 mounting rail	
TS 35 mounting rail	
Grounding rail	
External attachment brackets	
External hinges for CP enclosure (grey)**	
External hinges for CPS enclosure (black)**	
Internal hinges with lid guiding**	
Silicone gasket for wider temperature range (piece goods)	

CP-140	CPS-140
230	230
80 x 75 x 55	
Part number	
414.0.0000.00 ●	
414.0.0010.00	
414.0.0140.00	
	514.0.0000.00 ●
	514.0.0010.00
	514.0.0170.00
982.3.0000.00 ●	
982.0.0030.00 ●	
-	
-	
-	
982.4.0000.00 ●	
-	
-	
-	
923.1.0060.00 ●	

CP-145	CPS-145
300	300
80 x 75 x 75	
Part number	
414.0.0000.50 ●	
414.0.0010.50	
414.0.0100.50	
	514.0.0000.50 ●
	514.0.0010.50
	514.0.0100.50
982.3.0000.00 ●	
982.0.0030.00 ●	
-	
-	
-	
982.4.0000.00 ●	
-	
-	
-	
923.1.0060.00 ●	

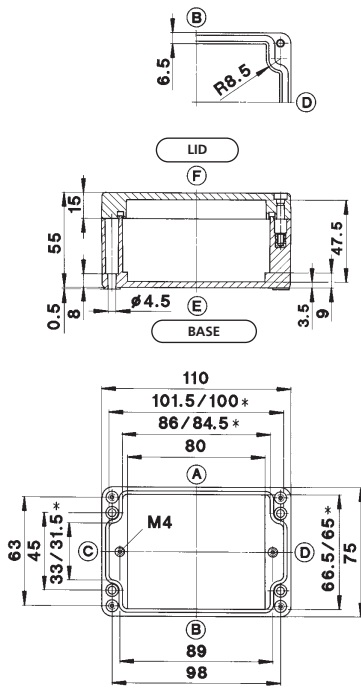
Max. Pg threads

ISO M	12	16	20	25	32	40	50	63
Side A/B	5	2	2	1	0	0	0	0
Side C/D	2	1	1	0	0	0	0	0
** mechanical enclosure machining required								
● = kept in stock								

ISO M	12	16	20	25	32	40	50	63
Side A/B	8	4	2	1	1	0	0	0
Side C/D	4	1	1	1	1	0	0	0
** mechanical enclosure machining required								
● = kept in stock								

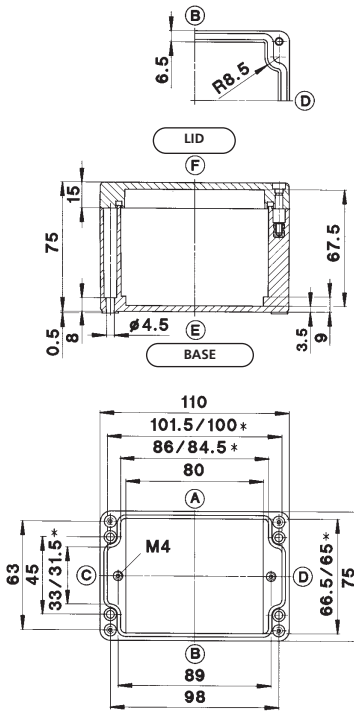
110 x 75 x 55 mm

CP-150
Polyester enclosure, grey
CPS-150
Polyester enclosure, grey



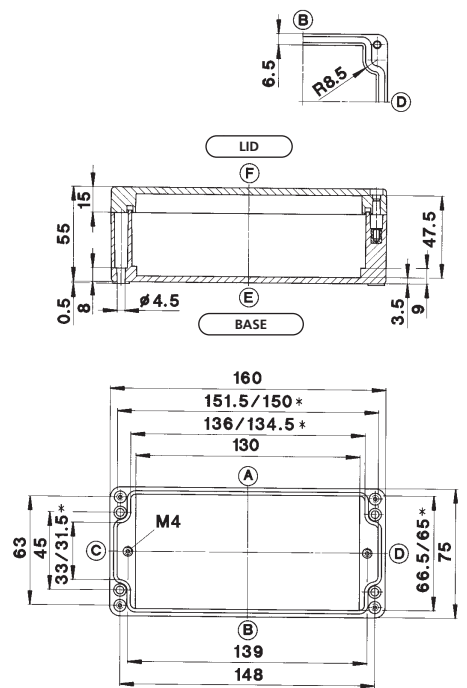
110 x 75 x 75 mm

CP-155
Polyester enclosure, grey
CPS-155
Polyester enclosure, grey



160 x 75 x 55 mm

CP-170
Polyester enclosure, grey
CPS-170
Polyester enclosure, grey



* minimum dimensions at level of mounting plate support

* minimum dimensions at level of mounting plate support

* minimum dimensions at level of mounting plate support

CP-150	CPS-150
295	295
110 x 75 x 55	
Part number	
415.0.0000.00 ●	
415.0.0010.00	
415.0.0250.00	
	515.0.0000.00 ●
	515.0.0010.00
	515.0.0310.00
982.3.0010.00 ●	
982.0.0060.00 ●	
-	
-	
-	
982.4.0000.00 ●	
-	
-	
-	
923.1.0060.00 ●	
-	
-	

CP-155	CPS-155
360	360
110 x 75 x 75	
Part number	
415.0.0000.50 ●	
415.0.0010.50	
415.0.0100.50	
	515.0.0000.50 ●
	515.0.0010.50
	515.0.0100.50
982.3.0010.00 ●	
982.0.0060.00 ●	
-	
-	
-	
982.4.0000.00 ●	
-	
-	
-	
923.1.0060.00 ●	
-	
-	

CP-170	CPS-170
405	405
160 x 75 x 55	
Part number	
417.0.0000.00 ●	
417.0.0010.00	
417.0.0160.00	
	517.0.0000.00 ●
	517.0.0010.00
	517.0.0100.00
982.3.0020.00 ●	
982.0.0120.00 ●	
-	
-	
-	
982.4.0000.00 ●	
-	
-	
-	
923.1.0060.00 ●	
-	
-	

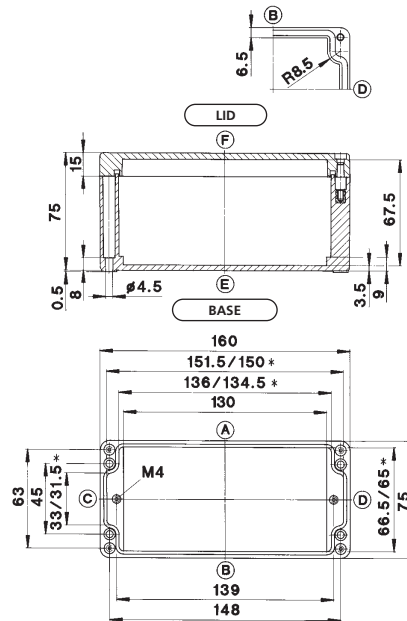
ISO M	12	16	20	25	32	40	50	63
Side A/B	8	3	2	2	0	0	0	0
Side C/D	2	1	1	0	0	0	0	0
** mechanical enclosure machining required								
● = kept in stock								

ISO M	12	16	20	25	32	40	50	63
Side A/B	12	6	3	2	2	0	0	0
Side C/D	4	1	1	1	1	0	0	0
** mechanical enclosure machining required								
● = kept in stock								

ISO M	12	16	20	25	32	40	50	63
Side A/B	12	5	4	3	0	0	0	0
Side C/D	2	1	1	0	0	0	0	0
** mechanical enclosure machining required								
● = kept in stock								

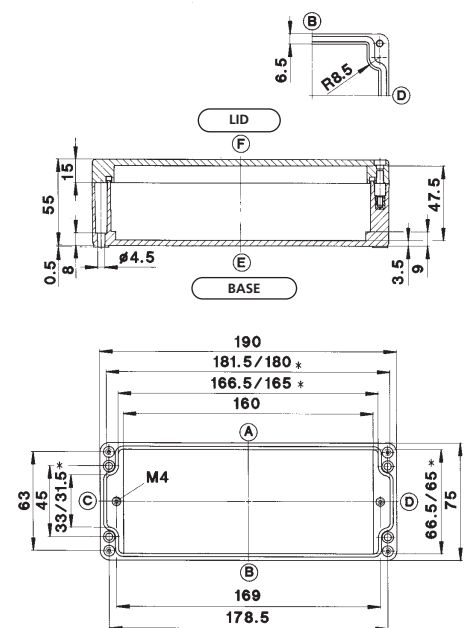
160 x 75 x 75 mm

CP-175
Polyester enclosure, grey
CPS-175
Polyester enclosure, black



190 x 75 x 55 mm

CP-190
Polyester enclosure, grey
CPS-190
Polyester enclosure, black



* minimum dimensions at level of mounting plate support

* minimum dimensions at level of mounting plate support

Type	
Weight (g)	
External dimensions (mm)	
Complete enclosures	
Grey (CP), with gasket and lid screws	
Grey (CP), with gasket, hex. socket head screws	
Grey (CP), with silicone gasket and lid screws	
Black (CPS), with gasket and lid screws	
Black (CPS), with gasket, hex. socket head screws	
Black (CPS), with silicone gasket and lid screws	
Accessories (separate or as a mounting set)	
Mounting plate	
TS 15 mounting rail	
TS 32 mounting rail	
TS 35 mounting rail	
Grounding rail	
External attachment brackets	
External hinges for CP enclosure (grey)**	
External hinges for CPS enclosure (black)**	
Internal hinges with lid guiding**	
Silicone gasket for wider temperature range (piece goods)	

CP-175	CPS-175
460	460
160 x 75 x 75	
Part number	
417.0.0000.50 ●	
417.0.0010.50	
417.0.0100.50	
	517.0.0000.50 ●
	517.0.0010.50
	517.0.0100.50
982.3.0020.00 ●	
982.0.0120.00 ●	
-	
-	
-	
982.4.0000.00 ●	
-	
-	
-	
923.1.0060.00 ●	

CP-190	CPS-190
450	450
190 x 75 x 55	
Part number	
419.0.0000.00 ●	
419.0.0010.00	
419.0.0150.00	
	519.0.0000.00 ●
	519.0.0010.00
	519.0.0100.00
982.3.0030.00 ●	
982.0.0150.00 ●	
-	
-	
-	
982.4.0000.00 ●	
-	
-	
-	
923.1.0060.00 ●	

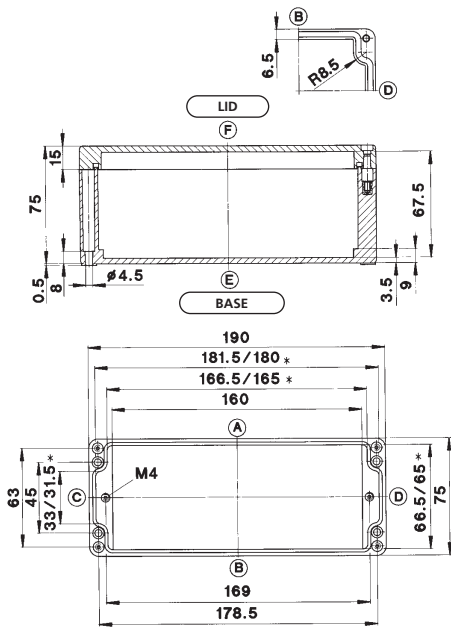
Max. Pg threads

ISO M	12	16	20	25	32	40	50	63
Side A/B	18	10	6	4	3	0	0	0
Side C/D	4	1	1	1	1	0	0	0
** mechanical enclosure machining required								
● = kept in stock								

ISO M	12	16	20	25	32	40	50	63
Side A/B	16	7	5	4	0	0	0	0
Side C/D	2	1	1	0	0	0	0	0
** mechanical enclosure machining required								
● = kept in stock								

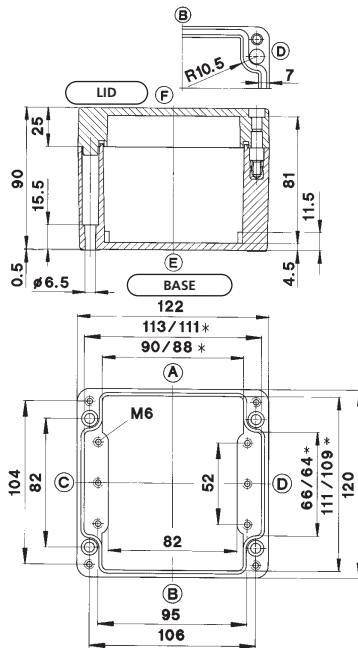
190 x 75 x 75 mm

CP-195
Polyester enclosure, grey
CPS-195
Polyester enclosure, black



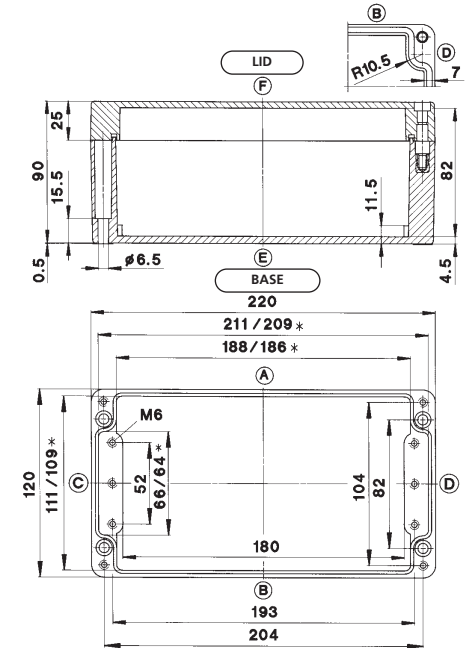
122 x 120 x 90 mm

CP-220
Polyester enclosure, grey
CPS-220
Polyester enclosure, black



220 x 120 x 90 mm

CP-240
Polyester enclosure, grey
CPS-240
Polyester enclosure, black



* minimum dimensions at level of mounting plate support

* minimum dimensions at level of mounting plate support

* minimum dimensions at level of mounting plate support

CP-195	CPS-195
530	530
190 x 75 x 75	
Part number	
419.0.0000.50 ●	
419.0.0010.50	
419.0.0100.50	
	519.0.0000.50 ●
	519.0.0010.50
	519.0.0100.50
982.3.0030.00 ●	
982.0.0150.00 ●	
-	
-	
-	
982.4.0000.00 ●	
-	
-	
923.1.0060.00 ●	
-	
-	

CP-220	CPS-220
750	750
122 x 120 x 90	
Part number	
422.0.0000.00 ●	
422.0.0010.00	
422.0.0180.00	
	522.0.0000.00 ●
	522.0.0010.00
	522.0.0400.00
982.3.0040.00 ●	
-	
982.1.0000.00 ●	
982.2.0010.00 ●	
981.0.0020.00 ●	
982.4.0010.00 ●	
980.1.0450.00 ●	
980.1.0460.00 ●	
-	
923.1.0060.00 ●	
-	
-	

CP-240	CPS-240
1060	1060
220 x 120 x 90	
Part number	
424.0.0000.00 ●	
424.0.0010.00	
424.0.0470.00	
	524.0.0000.00 ●
	524.0.0010.00
	524.0.0400.00
982.3.0050.00 ●	
-	
982.1.0050.00 ●	
982.2.0070.00 ●	
981.0.0080.00 ●	
982.4.0010.00 ●	
980.1.0450.00 ●	
980.1.0460.00 ●	
-	
923.1.0060.00 ●	
-	
-	

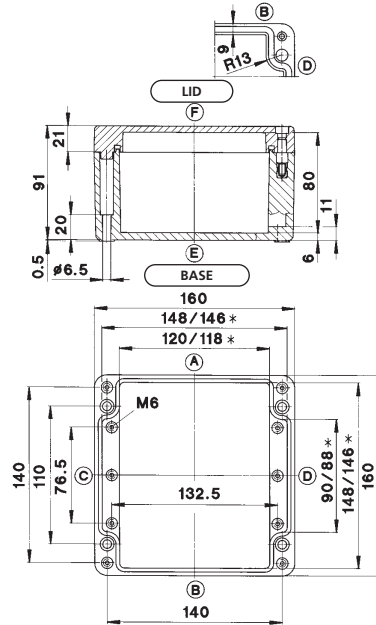
ISO M	12	16	20	25	32	40	50	63
Side A/B	24	12	8	4	3	0	0	0
Side C/D	14	1	1	1	1	0	0	0
** mechanical enclosure machining required								
● = kept in stock								

ISO M	12	16	20	25	32	40	50	63
Side A/B	13	6	4	3	2	1	0	0
Side C/D	6	3	2	2	1	0	0	0
** mechanical enclosure machining required								
● = kept in stock								

ISO M	12	16	20	25	32	40	50	63
Side A/B	27	12	9	6	4	3	0	0
Side C/D	6	3	2	2	1	0	0	0
** mechanical enclosure machining required								
● = kept in stock								

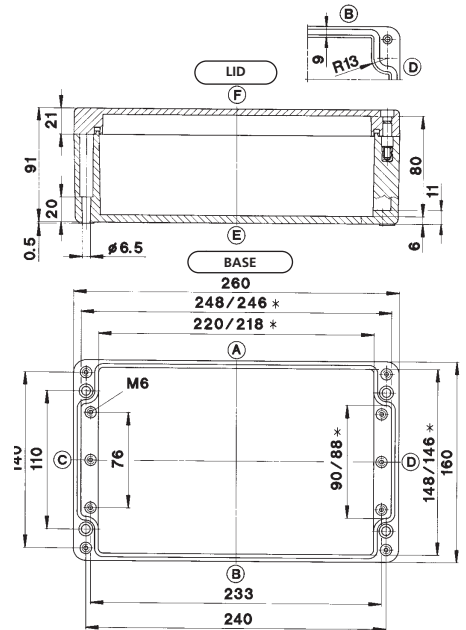
160 x 160 x 91 mm

CP-280
Polyester enclosure, grey
CPS-280
Polyester enclosure, black



260 x 160 x 91 mm

CP-300
Polyester enclosure, grey
CPS-300
Polyester enclosure, black



* minimum dimensions at level of mounting plate support

* minimum dimensions at level of mounting plate support

Type	
Weight (g)	
External dimensions (mm)	
Complete enclosures	
Grey (CP), with gasket and lid screws	
Grey (CP), with gasket, hex. socket head screws	
Grey (CP), with silicone gasket and lid screws	
Black (CPS), with gasket and lid screws	
Black (CPS), with gasket, hex. socket head screws	
Black (CPS), with silicone gasket and lid screws	
Accessories (separate or as a mounting set)	
Mounting plate	
TS 15 mounting rail	
TS 32 mounting rail	
TS 35 mounting rail	
Grounding rail	
External attachment brackets	
External hinges for CP enclosure (grey)**	
External hinges for CPS enclosure (black)**	
Internal hinges with lid guiding**	
Silicone gasket for wider temperature range (piece goods)	

CP-280	CPS-280
1130	1130
160 x 160 x 91	
Part number	
428.0.0000.00 ●	
428.0.0010.00	
428.0.0200.00	
	528.0.0000.00 ●
	528.0.0010.00
	528.0.0100.00
982.3.0060.00 ●	
-	
982.1.0020.00 ●	
982.2.0030.00 ●	
981.0.0040.00 ●	
982.4.0040.00 ●	
980.1.0450.00 ●	
980.1.0460.00 ●	
980.1.0320.00 ●	
923.1.0090.00 ●	

CP-300	CPS-300
1710	1710
260 x 160 x 91	
Part number	
430.0.0000.00 ●	
430.0.0010.00	
430.0.0140.00	
	530.0.0000.00 ●
	530.0.0010.00
	530.0.0340.00
982.3.0070.00 ●	
-	
982.1.0080.00 ●	
982.2.0110.00 ●	
981.0.0100.00 ●	
982.4.0040.00 ●	
980.1.0450.00 ●	
980.1.0460.00 ●	
980.1.0320.00 ●	
923.1.0090.00 ●	

Max. Pg threads

ISO M	12	16	20	25	32	40	50	63
Side A/B	18	8	6	4	2	2	1	0
Side C/D	9	4	3	2	2	1	0	0

** mechanical enclosure machining required

● = kept in stock

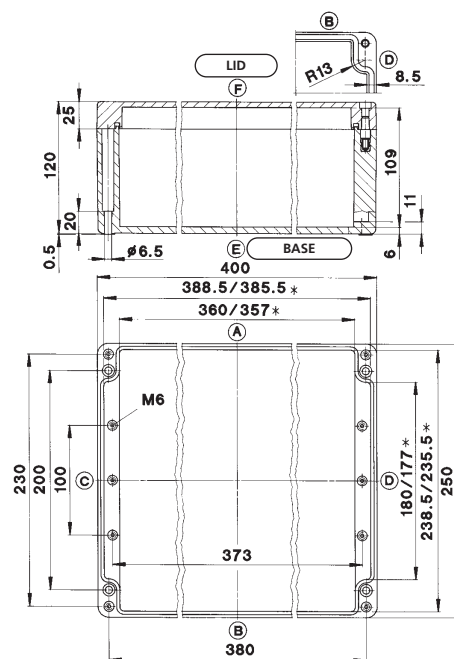
ISO M	12	16	20	25	32	40	50	63
Side A/B	33	15	12	8	4	3	3	0
Side C/D	9	4	3	2	2	1	0	0

** mechanical enclosure machining required

● = kept in stock

400 x 250 x 120 mm

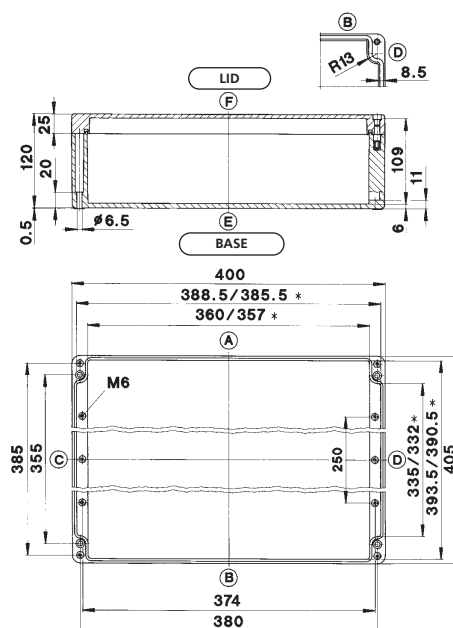
CP-400
Polyester enclosure, grey
CPS-400
Polyester enclosure, black



* minimum dimensions at level of mounting plate support

400 x 405 x 120 mm

CP-450
Polyester enclosure, grey
CPS-450
Polyester enclosure, black



* minimum dimensions at level of mounting plate support

Type	
Weight (g)	
External dimensions (mm)	
Complete enclosures	
Grey (CP), with gasket and lid screws	
Grey (CP), with gasket, hex. socket head screws	
Grey (CP), with silicone gasket and lid screws	
Black (CPS), with gasket and lid screws	
Black (CPS), with gasket, hex. socket head screws	
Black (CPS), with silicone gasket and lid screws	
Accessories (separate or as a mounting set)	
Mounting plate	
TS 15 mounting rail	
TS 32 mounting rail	
TS 35 mounting rail	
Grounding rail	
External attachment brackets	
External hinges for CP enclosure (grey)**	
External hinges for CPS enclosure (black)**	
Internal hinges with lid guiding**	
Silicone gasket for wider temperature range (piece goods)	

	CP-400	CPS-400
Weight (g)	3650	3650
External dimensions (mm)	400 x 250 x 120	
Part number		
Grey (CP), with gasket and lid screws	440.0.0000.00 ●	
Grey (CP), with gasket, hex. socket head screws	440.0.0010.00	
Grey (CP), with silicone gasket and lid screws	440.0.0770.00	
Black (CPS), with gasket and lid screws	540.0.0000.00 ●	
Black (CPS), with gasket, hex. socket head screws	540.0.0010.00	
Black (CPS), with silicone gasket and lid screws	540.0.0100.00	
Mounting plate	982.3.0100.00 ●	
TS 15 mounting rail	-	
TS 32 mounting rail	982.1.0140.00 ●	
TS 35 mounting rail	982.2.0170.00 ●	
Grounding rail	981.0.0150.00 ●	
External attachment brackets	982.4.0110.00 ●	
External hinges for CP enclosure (grey)**	980.1.0450.00 ●	
External hinges for CPS enclosure (black)**	980.1.0460.00 ●	
Internal hinges with lid guiding**	980.1.0320.00 ●	
Silicone gasket for wider temperature range (piece goods)	923.1.0090.00 ●	

	CP-450	CPS-450
Weight (g)	5580	5580
External dimensions (mm)	400 x 405 x 120	
Part number		
Grey (CP), with gasket and lid screws	445.0.0000.00 ●	
Grey (CP), with gasket, hex. socket head screws	445.0.0010.00	
Grey (CP), with silicone gasket and lid screws	445.0.0130.00	
Black (CPS), with gasket and lid screws	545.0.0000.00 ●	
Black (CPS), with gasket, hex. socket head screws	545.0.0010.00	
Black (CPS), with silicone gasket and lid screws	545.0.0100.00	
Mounting plate	982.3.0110.00 ●	
TS 15 mounting rail	-	
TS 32 mounting rail	982.1.0140.00 ●	
TS 35 mounting rail	982.2.0170.00 ●	
Grounding rail	981.0.0150.00 ●	
External attachment brackets	982.4.0120.00 ●	
External hinges for CP enclosure (grey)**	980.1.0450.00 ●	
External hinges for CPS enclosure (black)**	980.1.0460.00 ●	
Internal hinges with lid guiding**	980.1.0320.00 ●	
Silicone gasket for wider temperature range (piece goods)	923.1.0090.00 ●	

Max. Pg threads	12	16	20	25	32	40	50	63
Side A/B	74	38	27	17	13	6	5	4
Side C/D	32	14	10	8	4	3	2	2

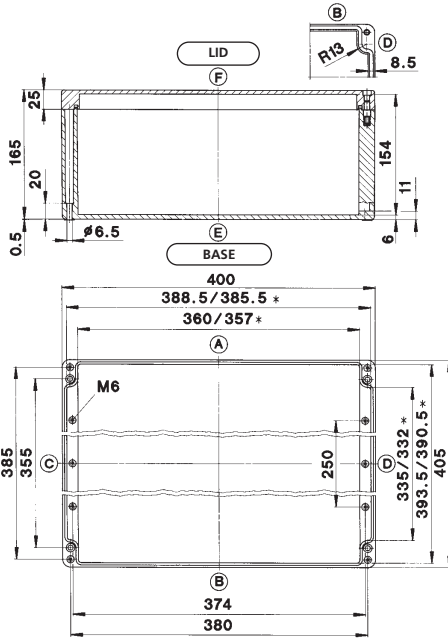
** mechanical enclosure machining required
● = kept in stock

Max. Pg threads	12	16	20	25	32	40	50	63
Side A/B	74	38	27	17	13	6	5	4
Side C/D	57	29	20	15	7	5	4	4

** mechanical enclosure machining required
● = kept in stock

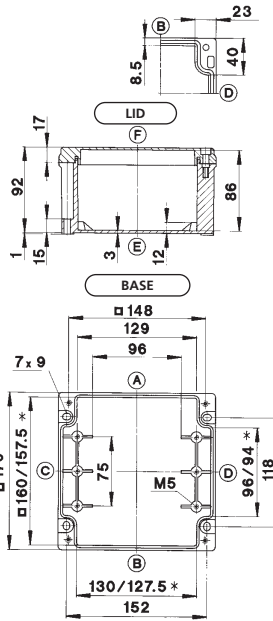
400 x 405 x 165 mm

CP-460
Polyester enclosure, grey
CPS-460
Polyester enclosure, black



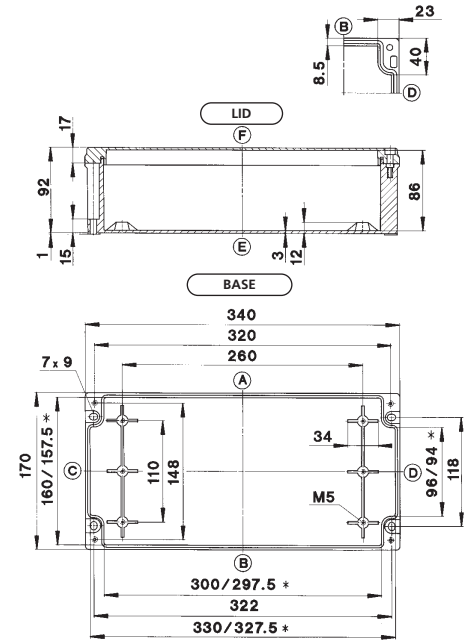
170 x 170 x 92 mm

CPS-530
Polyester enclosure, black



340 x 170 x 92 mm

CPS-550
Polyester enclosure, black



* minimum dimensions at level of mounting plate support

* minimum dimensions at level of mounting plate support

* minimum dimensions at level of mounting plate support

CP-460	CPS-460
7740	7740
400 x 405 x 165	
Part number	
446.0.0000.00 ●	
446.0.0010.00	
446.0.0100.00	
	546.0.0000.00 ●
	546.0.0010.00
	546.0.0100.00
982.3.0110.00 ●	
-	
982.1.0140.00 ●	
982.2.0170.00 ●	
981.0.0150.00 ●	
982.4.0120.00 ●	
980.1.0450.00 ●	
980.1.0460.00 ●	
980.1.0320.00 ●	
923.1.0090.00 ●	
-	
-	

CPS-530	
850	
170 x 170 x 92	
Part number	
-	
-	
-	
553.0.0000.00 ●	
-	
-	
-	
982.1.0440.00	
-	
981.0.0440.00	
-	
-	
-	
-	
923.1.0060.00 ●	
-	
-	

CPS-550	
1800	
340 x 170 x 92	
Part number	
-	
-	
-	
555.0.0000.00 ●	
-	
-	
-	
982.1.0450.00	
-	
981.0.0450.00	
-	
-	
-	
-	
923.1.0060.00 ●	
-	
-	

ISO M	12	16	20	25	32	40	50	63
Side A/B	105	56	40	27	20	10	9	8
Side C/D	92	45	30	23	12	9	6	5
** mechanical enclosure machining required								
● = kept in stock								

ISO M	12	16	20	25	32	40	50	63
Side A/B	22	11	8	4	3	2	2	0
Side C/D	10	4	3	2	2	2	1	0
** mechanical enclosure machining required								
● = kept in stock								

ISO M	12	16	20	25	32	40	50	63
Side A/B	48	22	15	9	6	5	3	0
Side C/D	10	4	3	2	2	1	0	0
** mechanical enclosure machining required								
● = kept in stock								

