


RegloCard-Plus with clear hinged lid, snap lock









Product no.: 41170109
Length: 161
Width: 166
Height: 121
Material: ABS (acrylonitrile-butadiene-styrene)
Material 2: polycarbonate
Sealing material: EPDM (ethylene propylene terpolymer)
Color: light grey
Ingress protection: IP 65

Pcs.: 

PDF: 

DXF: 

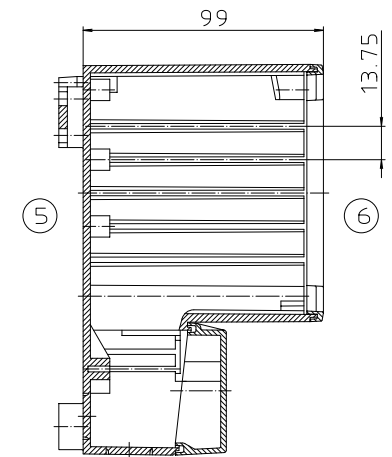
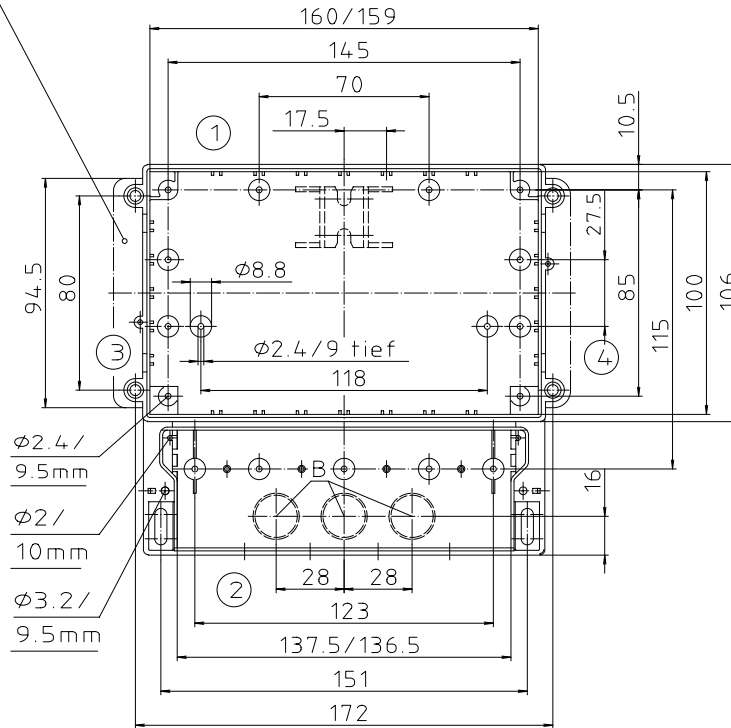
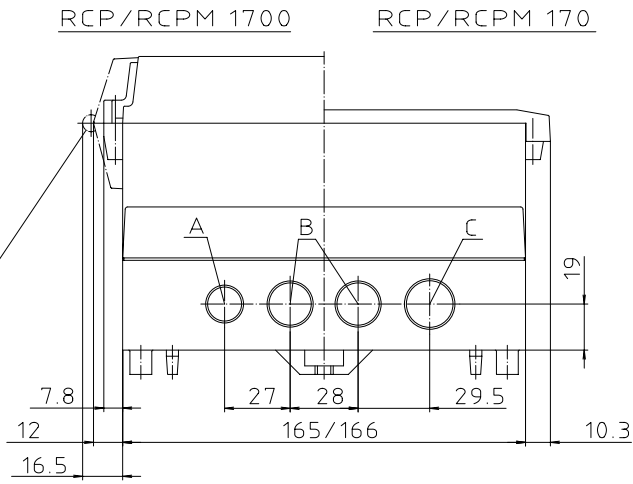
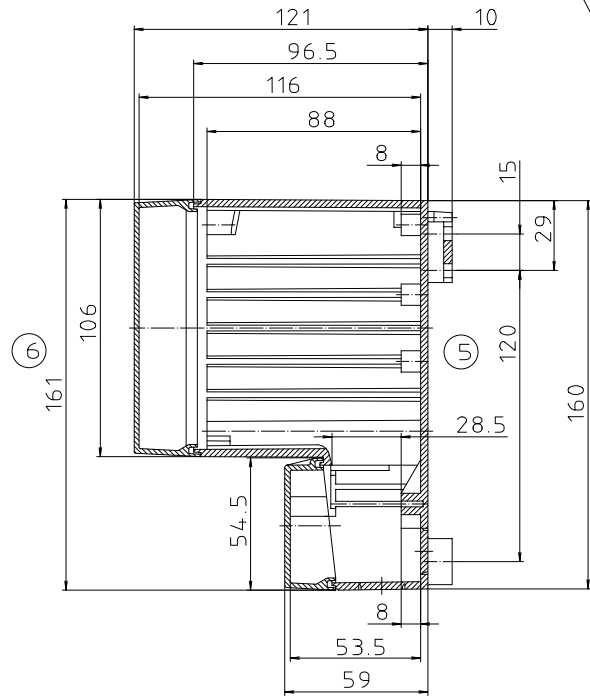
Accessories:

| Pcs. | Product no. | Model | Description |
|---|-------------|--------------------|--|
|  | 27000300 | FAE 160/170 |  aluminium front panel anodized, 1 mm thick for RC 1600/160, RC 1700/170, RCP 1600/160 and RCP 1700/170 |
|  | 41000400 | RCP/RCPM 160/170 M |  mounting plate 2 mm thick, for RCP 1600/160 and RCP 1700/170 |
|  | 41000300 | RCP/RCPM - WL |  Wall brackets, suitable for all RegloCard-Plus, 1 set = 2 pcs |
|  | 21008310 | SHLO-302 | Cylinder lock bolt, 1 piece |
|  | 41002501 | RCP/RCPM - HK | Knob, for RCP 1300-4000 |

Vorprägungen für PG und metrische Gewinde

| Index | RCP | | RCPM | |
|-------|---------|---------|---------|------|
| | Vorprä. | für | Vorprä. | für |
| A | ∅15.6 | PG 9 | ∅12.4 | M 12 |
| B | ∅19 | PG 11 | ∅16.4 | M 16 |
| C | ∅20.8 | PG 13.5 | ∅20.4 | M 20 |

Scharnier bzw.
Rastverschuß



Schutzvermerk nach DIN 31. Beschriftung

| | | |
|---|------------------------------------|---------------------------------------|
| Maßstab: 1:1 | | |
| Zchn.Nr. 1G 5075.078.04 | | |
| Artikel: RCP/RCPM 1700 / 170 | | |
| Katalogzeichnung | | |
| 3033 16 02 01 2978 17 01 93 Ae.Nr. Datum: | BOPLA A Pleom Plast Company | DISK: 2 600 823 Datum: 17.01.92 SM |