





Euromas II, lid with membrane area

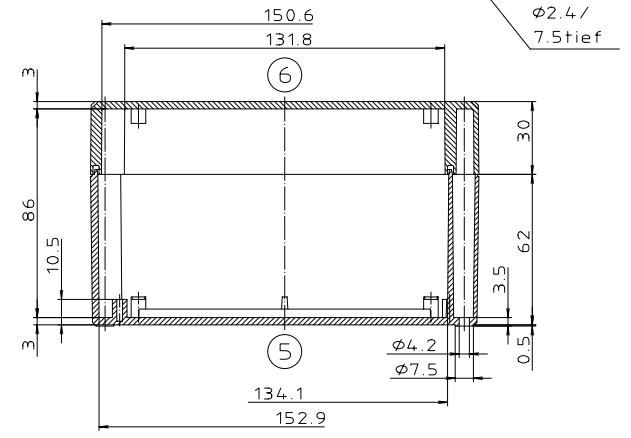
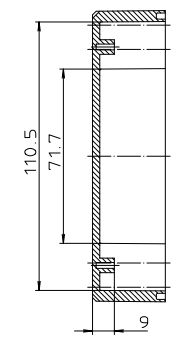
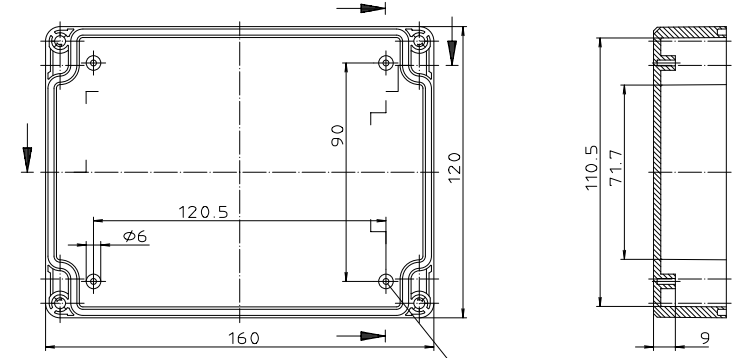
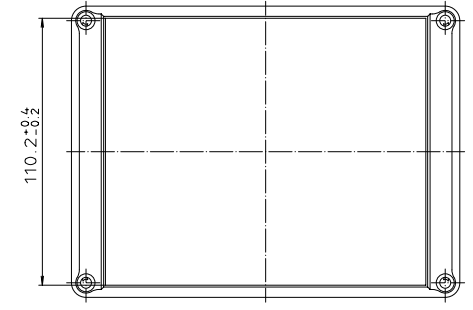
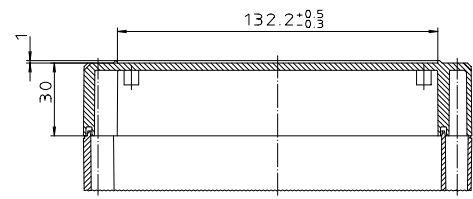
Product no.: 63231200
Length: 160
Width: 80
Height: 87
Material: ABS (acrylonitrile-butadiene-styrene)
Sealing material: Neoprene
Color: light grey
Ingress protection: IP 65
PDF: 
DXF: 

Accessories:

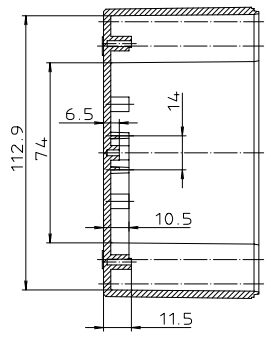
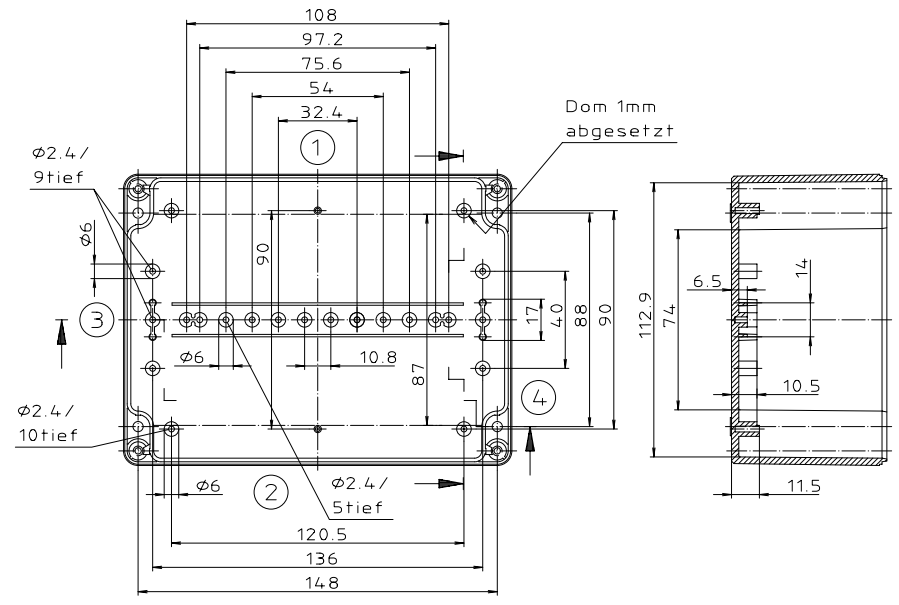
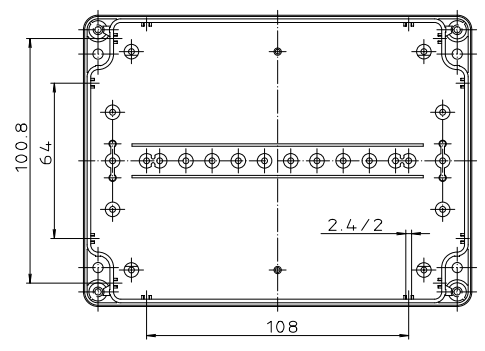
Product no.	Model	Description
22009000	GF	 Rubber feet, Polyurethane, black, 65-75 Shore, 1 set = 4 pcs.
22080000	SA	screw covers (6 pcs), for Euromas II
22010000	EM-WL	 wall bracket set = 4 pcs, for Euromas II
22000600	M	 Mounting plate, for Euromas M/T 219/220/231/235
22151501	TS 15	top hat rail DIN EN 60715 TH 15 - 15 x 5, for Euromas II, EM/ET 220
22321501	TS 32	G-rail DIN EN EN 60715 G 32 - 32 x 15, for Euromas II, EM/ET 220/229/231/238
22351501	TS 35	top hat rail DIN EN 60715 TH 35 - 35 x 7,5, for Euromas II, EM/ET 220/231/238



Ausführung EM/ET 238 F



Ausführung EM/ET 238 -LP



Schulferma nach DIN 31-180210

Maßstab: 1:1			
Zchn.Nr: 1K 5145.048.02			
Artikel: EM/ET 238(-LP)			
EM/ET 238 F(-LP)			
Katalogzeichnung			
3033 22.08.2002		DISK: 2 501 005	
Ar.Nr.: Datum:		Datum: 18.03.93 OK	
		BOPLA A Phoenix Contact Company	