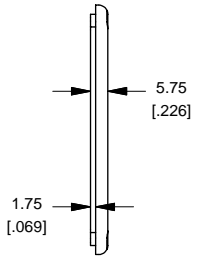
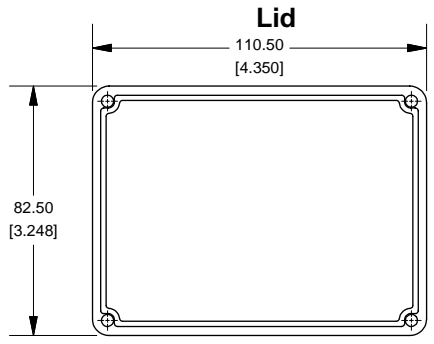
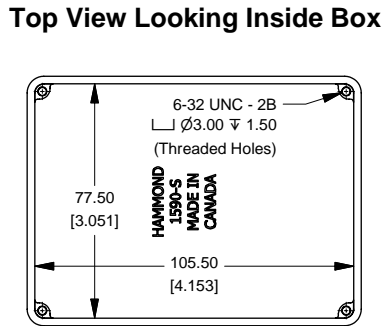
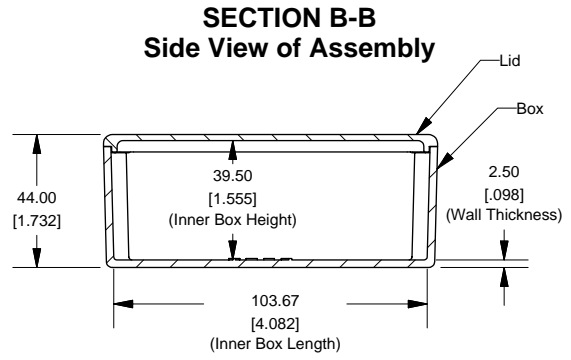
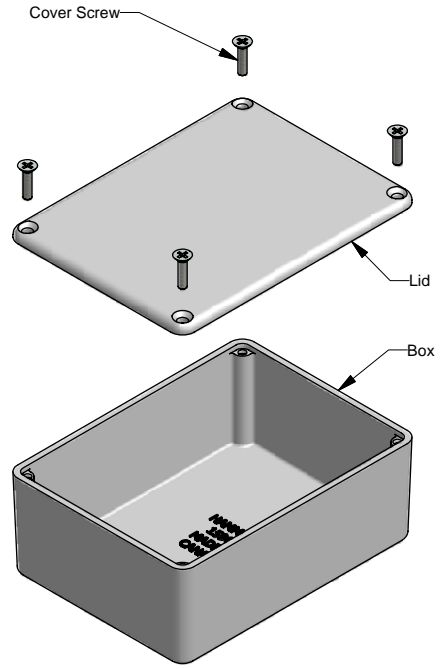


**Series 1590S (Basic)**



**NOTE**  
 Purchased assembly includes box, lid and 4 cover screws.  
 Box and lid are made from Diecast Aluminum Alloy (alloy type 360.1).

PART NUMBERS	
1590S Enclosure	
Unfinished	1590S
Black Textured Powder Paint	1590SBK
1590S Liquid Resistant Enclosure (Silicon Factory Installed Gasket)	
Unfinished	1590WS
Black Textured Powder Paint	1590WSBK
ACCESSORIES	
Unfinished	
Cover Screws (Pkg 100)	
[6-32 x 1/2" Nickel Plated Screws]	1590MS100
Black Textured Powder Paint	
Cover Screws (Pkg 50)	
[6-32 x 1/2" Stainless Steel Black Screws]	1590MS50BK



[www.hammondmfg.com](http://www.hammondmfg.com)