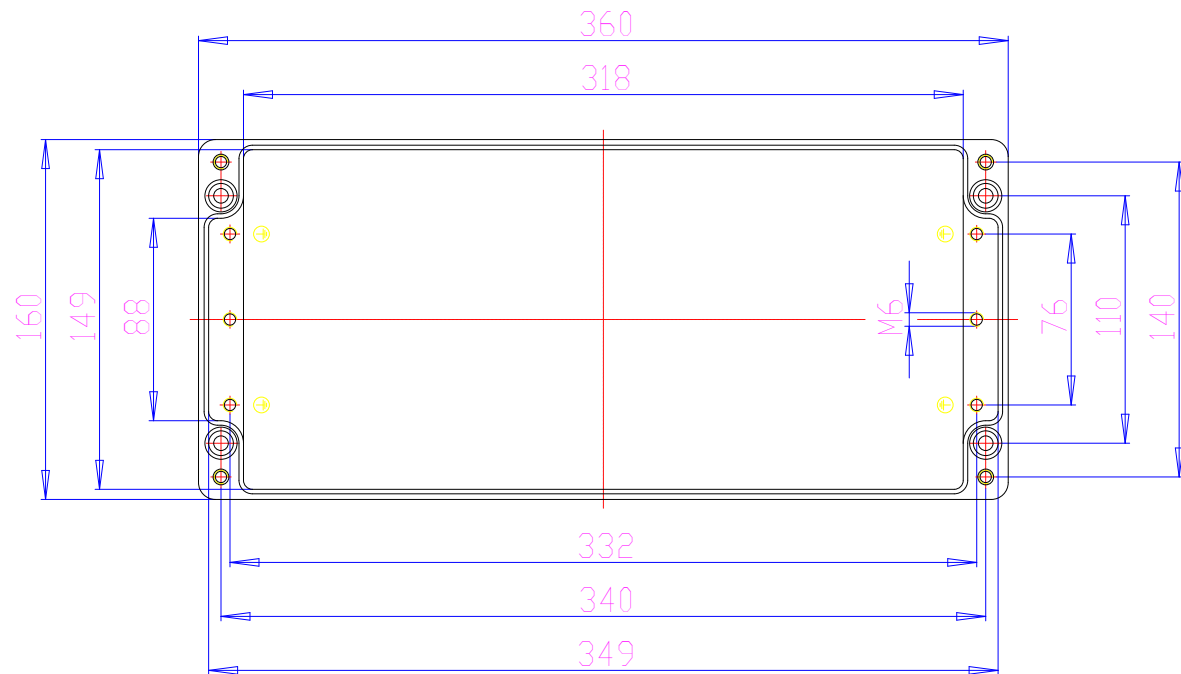
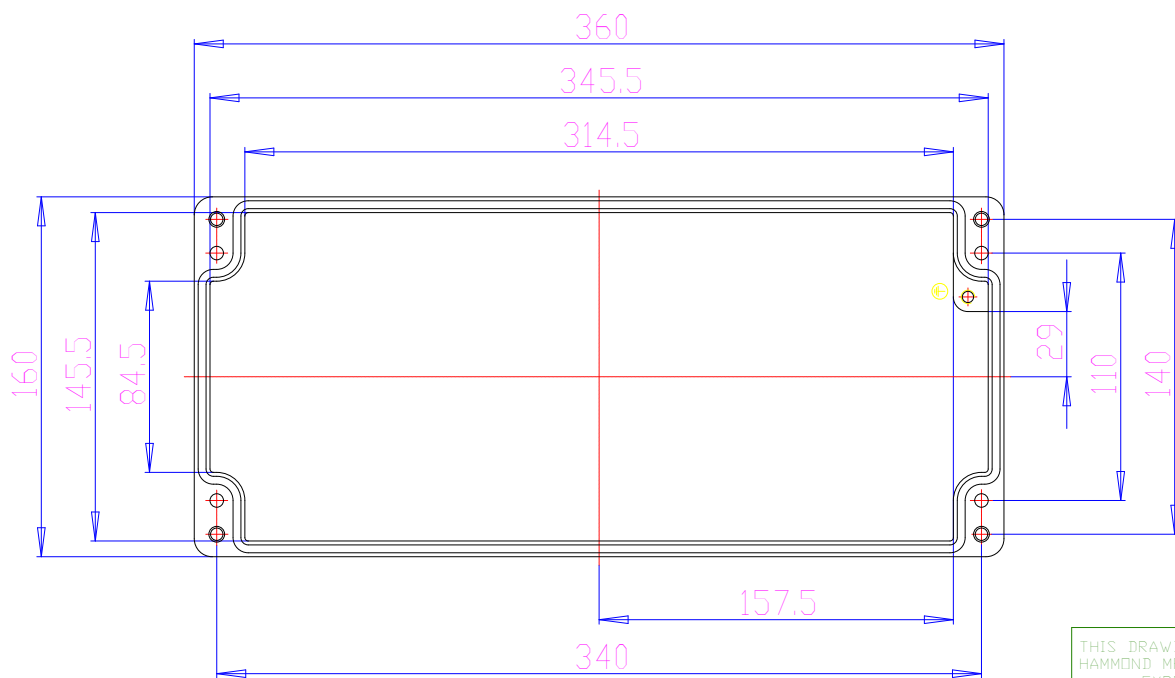


NOTES

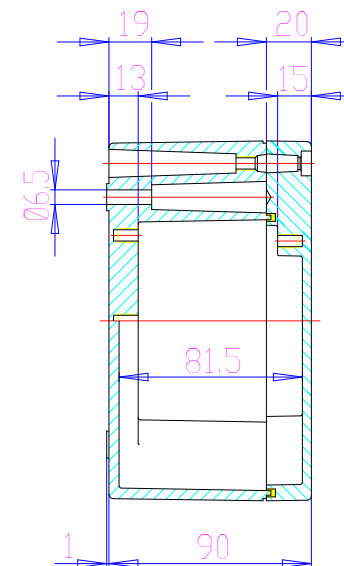
DESIGNED TO MEET THE REQUIREMENTS OF IP65, & NEMA 4X
 TONGUE & GROOVE CONSTRUCTION WITH A MOLDED ONE PIECE SILICON GASKET.
 COMES WITH 4 STAINLESS STEEL MACHINE LID SCREWS, CAPTIVATED WITH 4 RUBBER O-RINGS.
 COMES WITH 4 GROUNDING SCREWS AND WASHERS.
 FINISH: NONE OR SUFFIX "BK" BLACK, OR SUFFIX "GY" GRAY (RAL 7001) POLYESTER POWDER PAINT.



BOX



LID



For the best fit print on legal size paper.

HAMMOND MANUFACTURING CO. LTD.
 Electronics Group, Waterloo, Ont. - Cheektowaga, NY

HAMMOND 1590Z SERIES
 CASTED AL ENCLOSURES

THIS DRAWING IS PROPRIETARY INFORMATION OF HAMMOND MFG.CO.LTD. NOT TO BE USED WITHOUT EXPRESSED WRITTEN PERMISSION OF HAMMOND MFG.CO.LTD.

Mat'l	CAST ALUMINUM
Sheet	1 0 1

Part#: 1590Z166 Dwg: 1590Z166