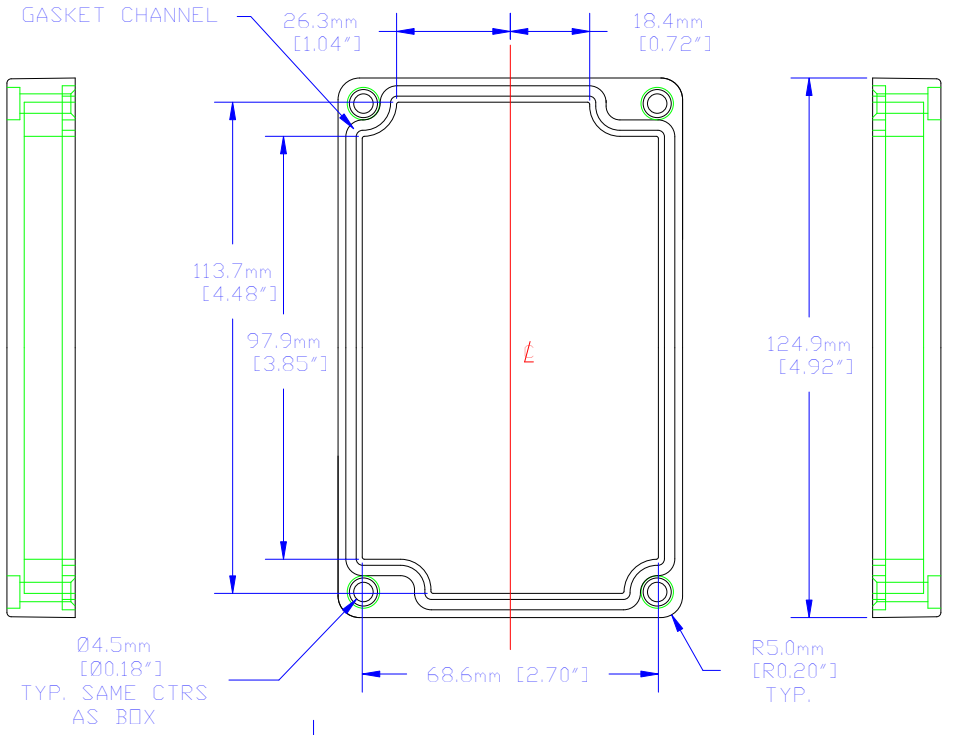
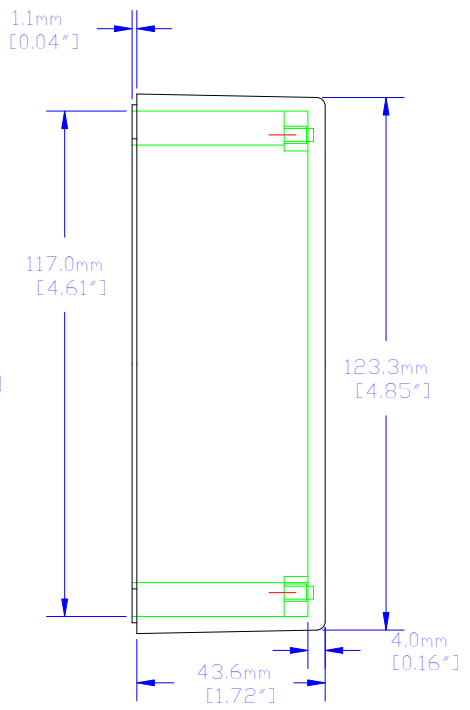
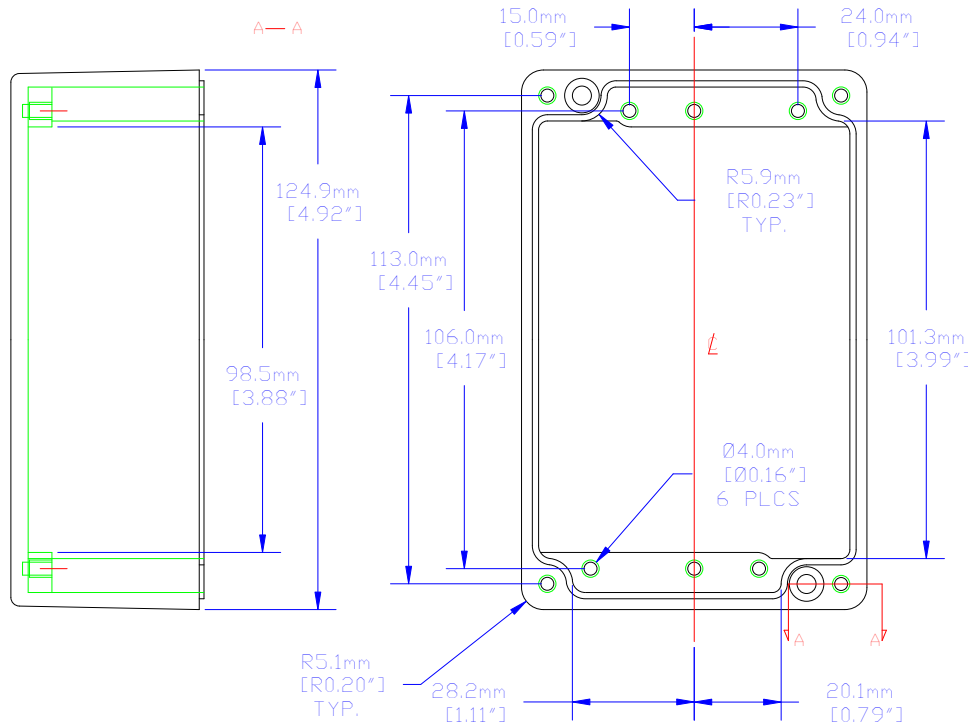
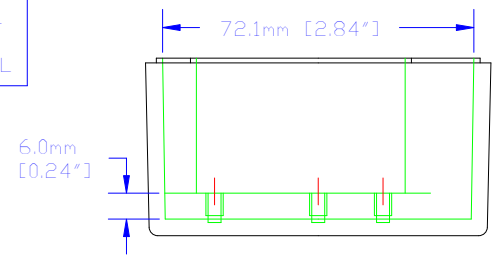


NOTES
 DESIGNED TO MEET THE REQUIREMENTS OF IP65, & NEMA 4X
 TONGUE & GROOVE CONSTRUCTION WITH A MOLDED ONE PIECE SILICON GASKET.
 COMES WITH 4 STAINLESS STEEL MACHINE LID SCREWS, CAPTIVATED WITH 4 RUBBER O-RINGS.
 COMES WITH 4 GROUNDING SCREWS AND WASHERS.
 FINISH: NONE OR SUFFIX "BK" BLACK, OR SUFFIX "GY" GRAY (RAL 7001) POLYESTER POWDER



SIDE VIEWS DO NOT DETAIL
 SCREW CHANNELS SEE
 "A - A" FOR CHANNEL DETAIL



BOX

LID

For the best fit print
 on legal size paper.

THIS DRAWING IS PROPRIETARY INFORMATION OF
 HAMMOND MFG.CO.LTD. NOT TO BE USED WITHOUT
 EXPRESSED WRITTEN PERMISSION
 OF HAMMOND MFG.CO.LTD.

△	N/A	RELEASE	---	09/29/02	MJM
Rev	ECN	Description		Date	By

Unless otherwise spec'd
 dimensions are in
 millimeters Tolerances are:

.X	±2.5
.XX	±1.50
.XXX	±.500
.XXXX	±.1300
Holes	±.1300
Angles	±.5°

Dwn	M. MERCER
Date	09/29/02
Chk	---
Mat'l	CAST ALUMINUM
Sheet	1 of 1

HAMMOND MANUFACTURING CO. LTD. Electronics Group, Waterloo, Ont. - Cheektowaga, NY	
HAMMOND 1590Z SERIES CASTED AL ENCLOSURES	
Part #:	1590Z120
Dwg:	1590Z120/A