

Stacked Coin Type

Series: F

Country of Origin

Japan

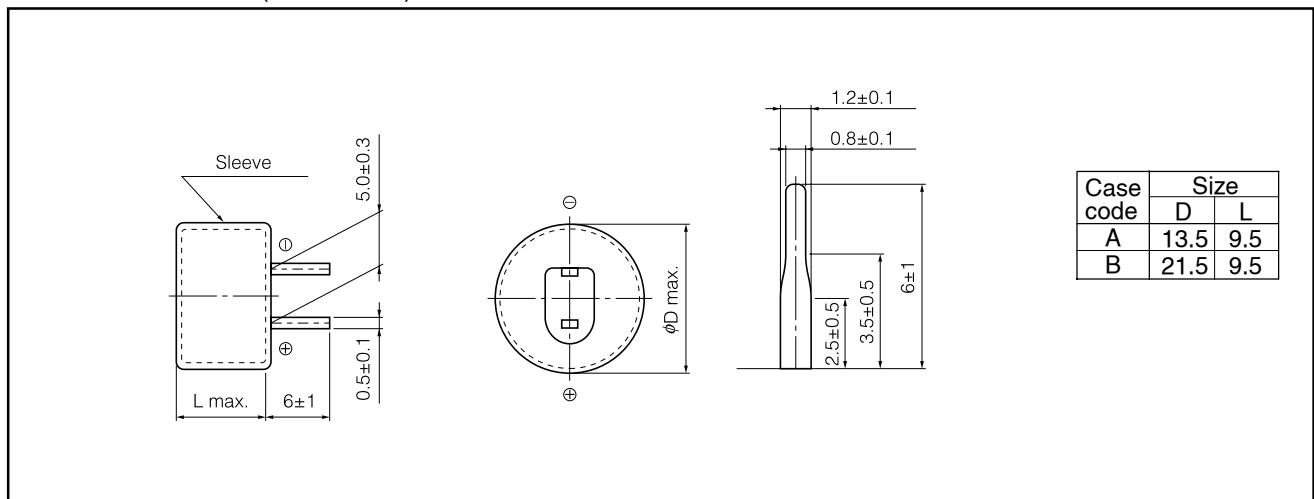


- Feature Endurance : +85°C 1000 h
RoHS directive compliant

■ Specifications

Category temp. range	-25 to +85°C		
Maximum Operating Voltage	5.5 V .DC		
Nominal Cap. Range	0.033 to 1.0 F		
Characteristics at Low Temperature	Capacitance change	±30% of initial measured value at +20°C (-25 to +85°C)	
	Internal resistance	≤ 5 times of initial measured value at +20°C (at -25°C)	
Endurance	After 1000 hours application of 5.5V. DC at +85°C, the capacitor shall meet the following limits.		
	Capacitance change	±30% of initial measured value	
	Internal resistance	≤ 4 times of initial specified value	
Shelf Life	After 1000 hours storage at +85°C without load, the capacitor shall meet the specified limits for Endurance.		
Moisture Resistance	After 500 hours storage at +55°C, 90 to 95% R.H., the capacitor shall meet the specified limits for Endurance.		

■ Dimensions in mm (not to scale)



■ Standard Products

Maximum Operating Voltage (V.DC)	Capacitance (F)	Capacitance range (F)	Internal resistance (Ω) at 1kHz	Case code	Part number	Min. Packaging Qty.	
						Quantity per box (pcs)	Quantity per outer packaging (pcs)
5.5	0.033	0.0264 to 0.0594	≤ 150	A	EECF5R5H333	200	2000
	0.047	0.0376 to 0.0846	≤ 120	A	EECF5R5H473	200	2000
	0.10	0.080 to 0.180	≤ 100	A	EECF5R5H104	200	2000
	0.47	0.376 to 0.846	≤ 75	B	EECF5R5H474	100	500
	0.68	0.476 to 1.224	≤ 50	B	EECF5R5H684	100	500
	1.00	0.80 to 1.80	≤ 50	B	EECF5R5H105	100	500

Note: Do not use reflow soldering. (IR, Atmosphere heating methods, etc.)