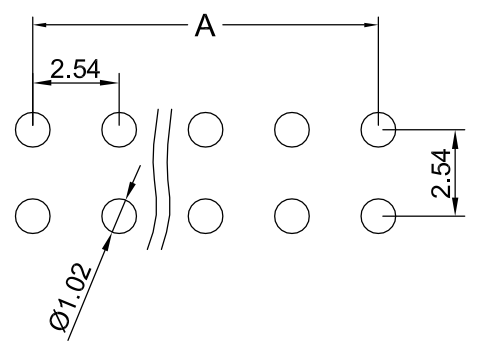


| LOC | DIST | REVISIONS | | | | | |
|-----|------|-----------|-----|--------------|---------|-----|------|
| | | P | LTR | DESCRIPTION | DATE | DWN | APVD |
| E | B | B | | EBD0-0141-04 | 15MAR04 | AM | FWK |

Recommended P.C.Board Hole Layout

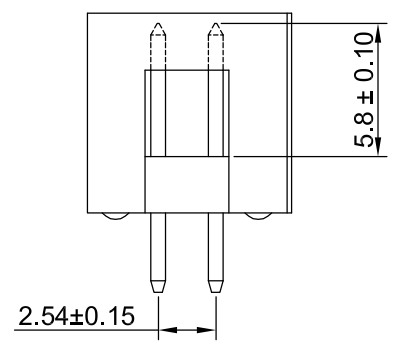
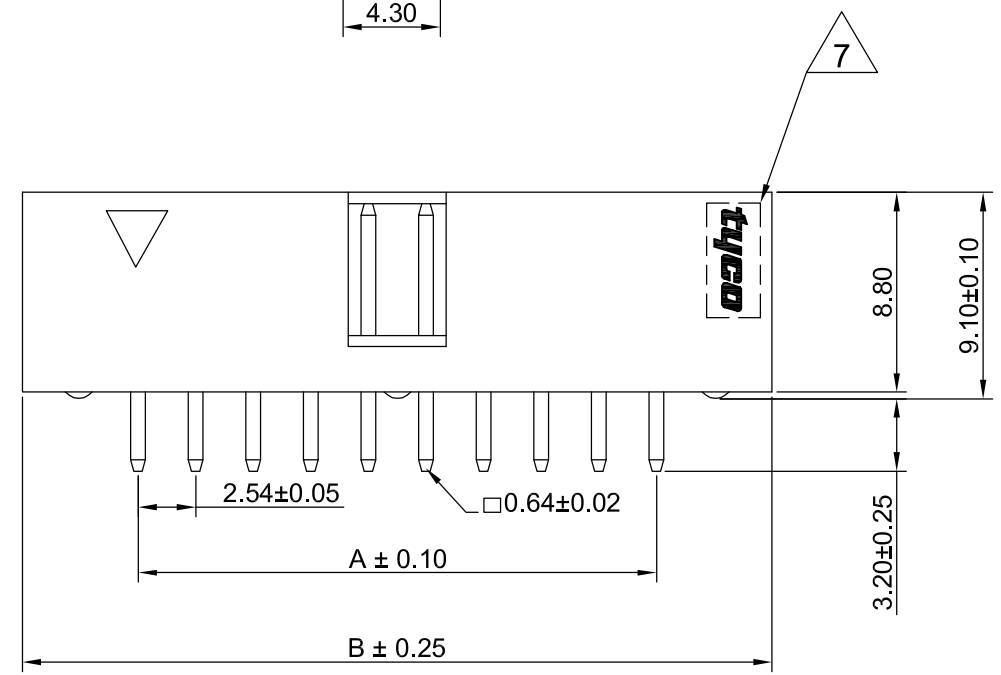
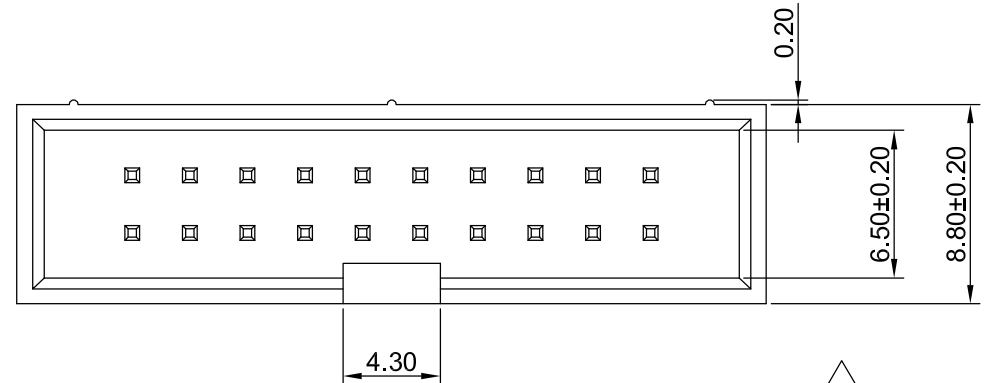
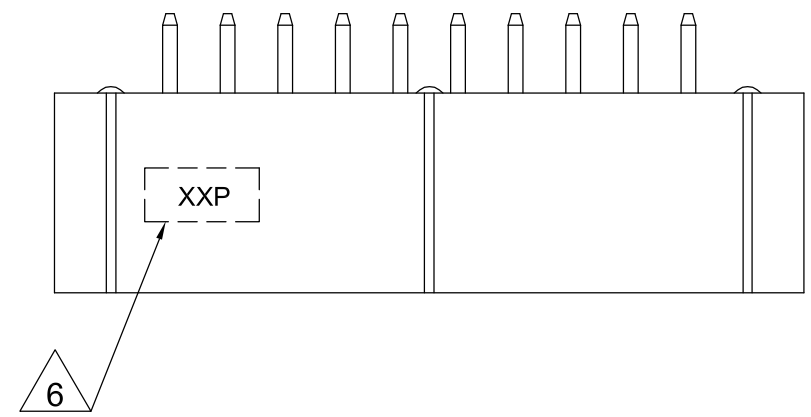


NOTES

- FOR TECHNICAL DATA REFER TO YOUR LOCAL TYCO ELECTRONICS SALES OFFICE.
- ALL DIMENSIONS ARE NOMINAL FOR REFERENCE ONLY UNLESS OTHERWISE STATED.
- RATING
 - 2.1 RATING : 3 AMPS
 - 2.2 OPERATING TEMPERATURE : - 40°C TO +105°C
- ELECTRICAL SPECIFICATION
 - 3.1 INSULATION RESISTANCE 5000 MΩ MINIMUM
 - 3.2 WITHSTAND VOLTAGE 500V AC
- MATERIALS
 - 4.1 CONTACT - BRASS, POST PLATE
 - Au 0.25µm (10µinch) IN CONTACT AREA
 - Sn 2 TO 3µm (80 TO 120µinch) IN SOLDER AREA.
 - 4.2 HOUSING - BLACK POLYESTER UL 94V-0

6 NUMBER OF CONTACT POSITIONS TO BE INDICATED IN AREA SHOWN.
XX = NUMBER OF POSITONS.

7 TYCO LOGO TO BE PRESENT IN AREA INDICATED.



| 78.74 | 88.93 | 64 | 6-1634688-4 |
|------------|-------|----------------|--------------|
| 73.66 | 83.85 | 60 | 6-1634688-0 |
| 60.96 | 71.15 | 50 | 5-1634688-0 |
| 48.26 | 58.45 | 40 | 4-1634688-0 |
| 40.64 | 50.83 | 34 | 3-1634688-4 |
| 30.48 | 40.67 | 26 | 2-1634688-6 |
| 22.86 | 33.05 | 20 | 2-1634688-0 |
| 17.78 | 27.97 | 16 | 1-1634688-6 |
| 15.24 | 25.43 | 14 | 1-1634688-4 |
| 10.16 | 20.35 | 10 | 1-1634688-0 |
| Dimensions | | No Of Contacts | TYCO Part No |
| A | B | | |

| | | | | |
|--|--|-----------------------------------|--|--------------------|
| THIS DRAWING IS A CONTROLLED DOCUMENT. | | DWN A.MOREY 14JAN04 | Tyco Electronics Corporation Bideford, UK, EX39 4HE | |
| DIMENSIONS: MM | | CHK J.SANDWELL 14JAN04 | | |
| TOLERANCES UNLESS OTHERWISE SPECIFIED: | | APVD F.WHEELER-KING 14JAN04 | NAME BOX HEADER STRAIGHT | |
| 0 PLC ± - 1 PLC ± - 2 PLC ± 0.2 3 PLC ± - 4 PLC ± - ANGLES ± 3' | | PRODUCT SPEC - | DRAWING NO A3 00779 C-1634688 | |
| MATERIAL - | | FINISH - | APPLICATION SPEC - | RESTRICTED TO - |
| CUSTOMER DRAWING | | | WEIGHT - | SCALE NTS |
| | | | SHEET 1 OF 1 | REV B |