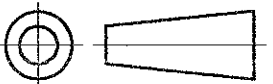


DO NOT SCALE

DIMENSIONS IN mm

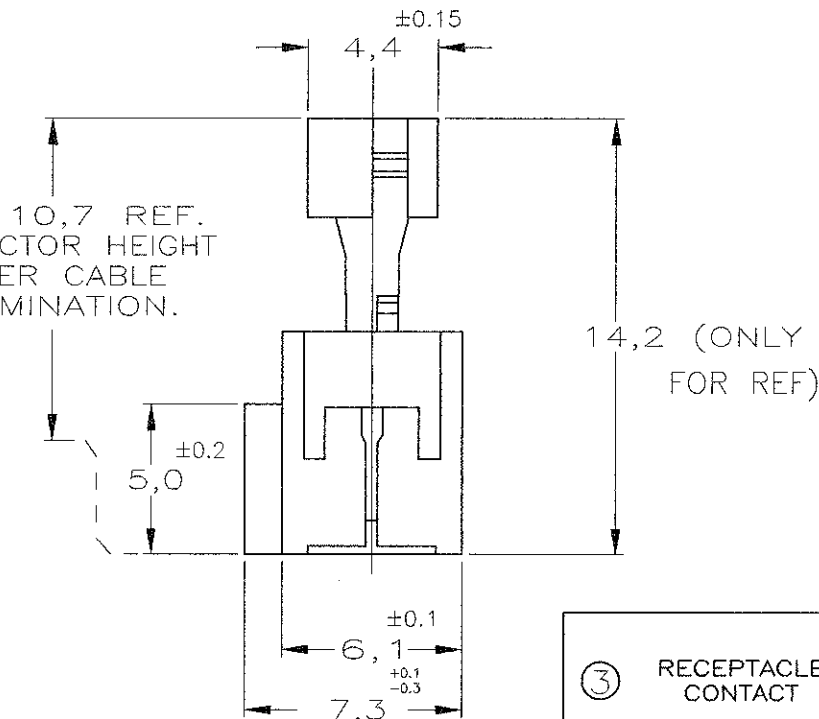
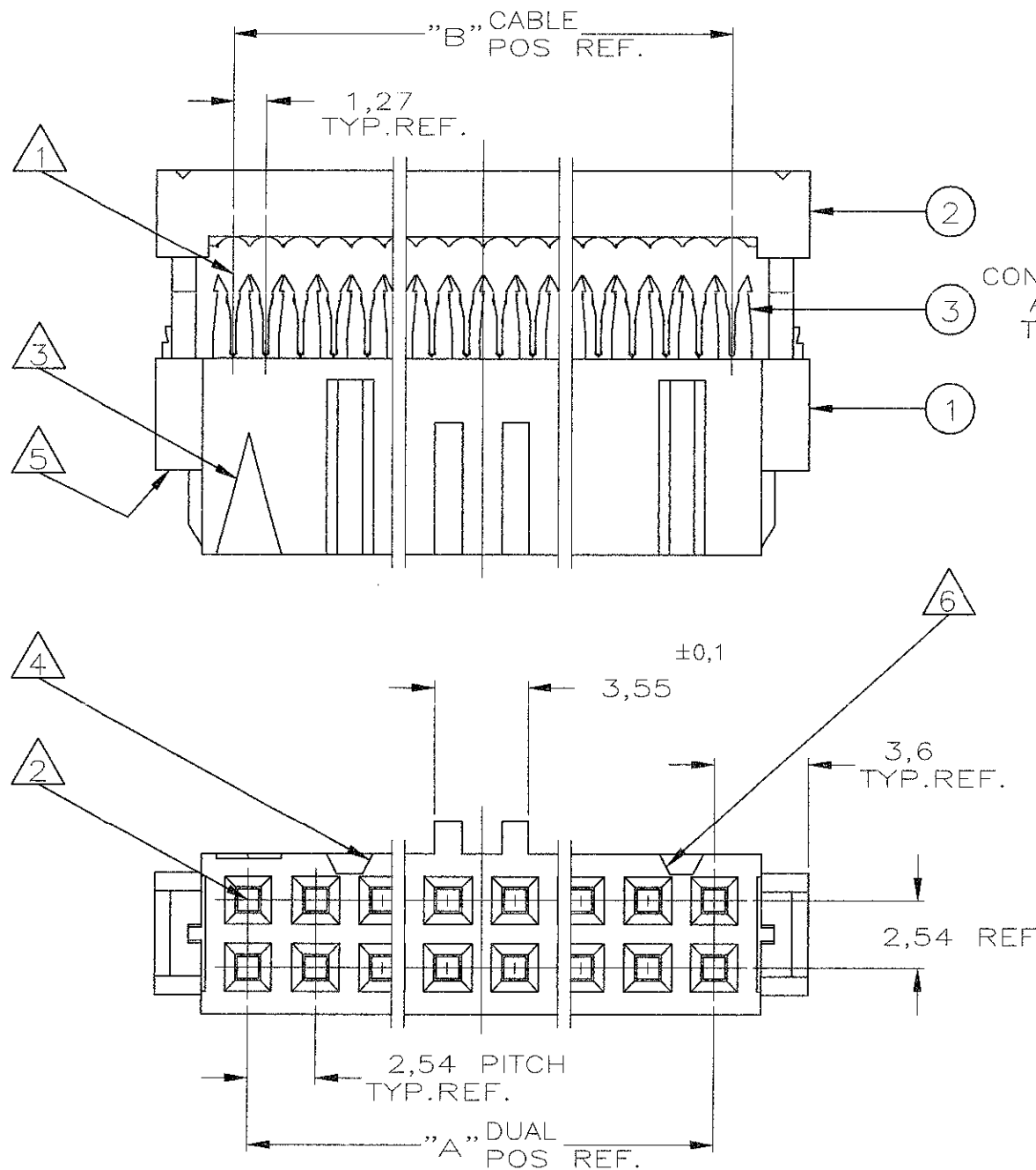
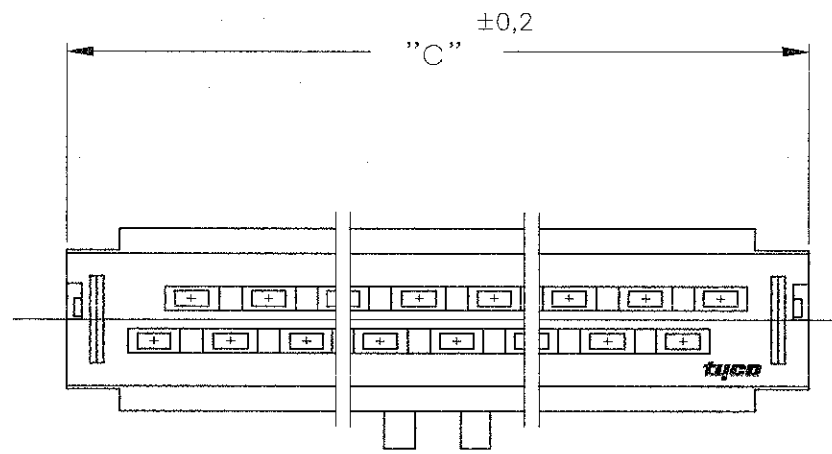
METRIC

THIRD ANGLE
PROJECTION



NOTES:

- ① CONNECTOR IS DESIGNED FOR FLAT RIBBON CABLE ON 1,27 CENTERS . FOR CABLE REQUIREMENTS SEE AMP APPLICATION SPECIFICATION 114-19008.
- ② THESE RECEPTACLE CONNECTORS MATE WITH 0,64 #0,05 mm SQUARE OR ROUND POSTS ON 2,54mm GRID.
- ③ MARK INDICATING FIRST CABLE POSITION REFERRING TO CONTACT POSITION.
- ④ THERE IS NO POLARIZATION-SLOT AT THIS END IN 4, 6, 8, 10 AND 14 POS CONNECTORS.
- ⑤ THESE CONNECTORS CAN BE USED IN CONJUNCTION WITH STRAIN-RELIEF COVERS OF PARTNR: 182762.
- ⑥ THERE IS NO POLARIZATION-SLOT AT THIS END IN 4, 6, AND 8 POS CONNECTORS.
- ⑦ PRODUCT SPECIFICATION 108-19033.



DIM."C"	"B" CABLE POS.	"A" DUAL POS.	PARTNUMBER
85,9	64	32	6-215911-4
80,8	60	30	6-215911-0
68,1	50	25	5-215911-0
60,5	44	22	4-215911-4
55,4	40	20	4-215911-0
47,8	34	17	3-215911-4
42,7	30	15	3-215911-0
37,6	26	13	2-215911-6
30,0	20	10	2-215911-0
24,9	16	8	1-215911-6
22,4	14	7	1-215911-4
17,3	10	5	1-215911-0
14,8	8	4	0-215911-8
12,2	6	3	0-215911-6
9,7	4	2	0-215911-4

COMPONENT NAME	MATERIAL	PLATING / COLOUR
③ RECEPTACLE CONTACT	PHOSPHORBRONZE Cu Sn4	AT CONTACT-PLACE: 0,2 GOLD AT WIRING END: 2,5 TIN ENTIRE UNDERCOATING: 1,27 NICKEL
② COVER	THERMOPLASTIC POLYESTER UL 94 -V0	GREY RAL 7032 (ONLY FOR REF.)
① HOUSING		

CUSTOMER DRAWING

FOR REFERENCE ONLY
WILL NOT BE UPDATED

tyco
Electronics

AMP ITALIA Sp.A
Corso F.LLI Cervi, 15
COLLENO (TORINO)

~~THIS DRAWING IS UNPUBLISHED~~ RELEASED FOR PUBLICATION 4JAN,1988

© COPYRIGHT 19 88 BY AMP-HOLLAND B.V.
ALL INTERNATIONAL RIGHTS RESERVED.
AMP PRODUCTS MAY BE COVERED BY U.S. AND FOREIGN PATENTS AND/OR
PATENTS PENDING.

DR. W.R.VERBEET	DATE 4-2'88	WIRE RANGE - H -	NAME AMP-LATCH_MIL-TYPE RECEPTACLE_CONNECTOR ASSEMBLY_(SYMMETRIC_COVER)
CHK. R.VERSTIJNEN	DATE 5-2'88	INSUL.RANGE - H -	

D1	ET00-0093-03	SS	23-05-03
LTR	REVISION RECORD	DR	DATE

APP. L.v SOEST.	DATE 5-2'88	SIZE A3	SHEET 1 OF 1	DWG. No. C-215911	REV.LTR. D1
--------------------	----------------	------------	-----------------	----------------------	----------------

8 | 7 | 6 | 5 | 4 | 3 | 2 | 1