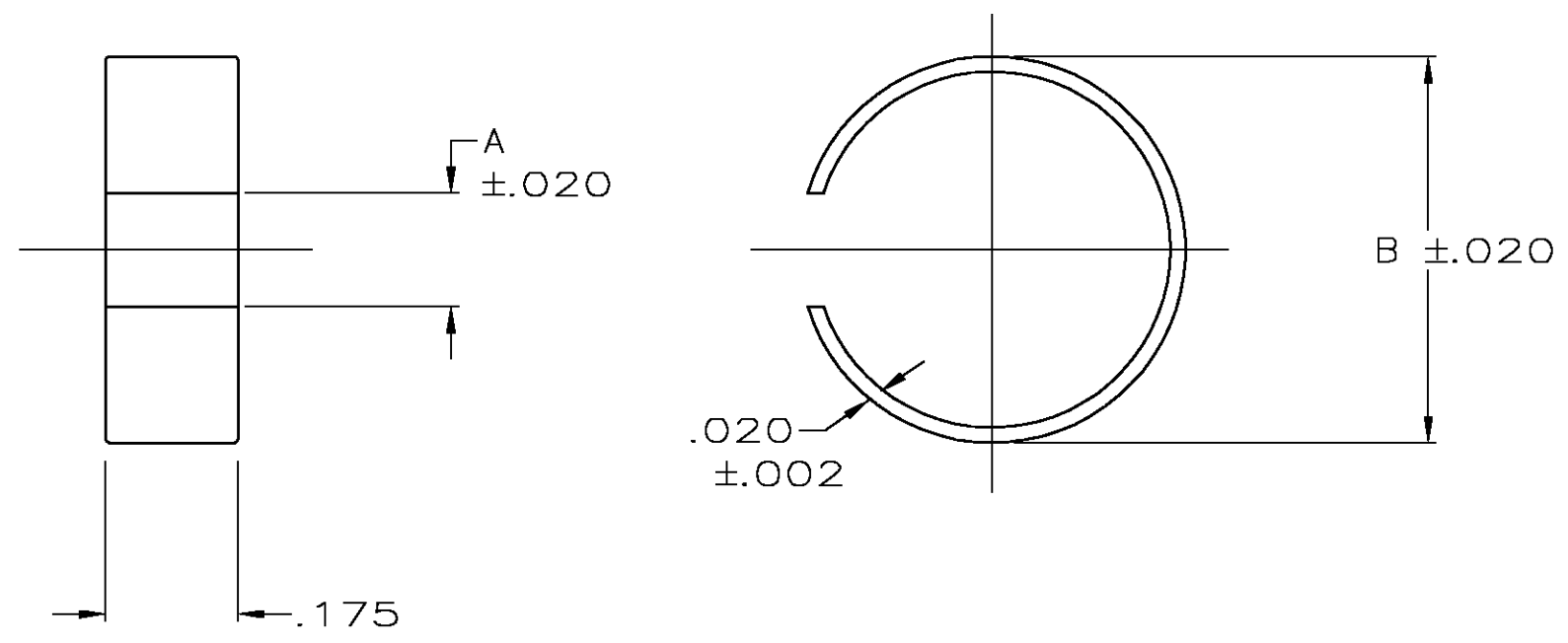


THIS DRAWING IS UNPUBLISHED. RELEASED FOR PUBLICATION
 © COPYRIGHT - BY TYCO ELECTRONICS CORPORATION. ALL RIGHTS RESERVED.

LOC	DIST	REVISIONS			
P	LTR	DESCRIPTION	DATE	DWN	APVD
GP	00	B	REVISED PER EC OS13-0465-03	12MAR04	BM JG



745175-1	.790	.220	1-745508-2
745174-1	.690	.200	1-745508-1
745175-2	.620	.180	1-745508-0
745174-2	.550	.180	745508-9
745175-3	.510	.150	745508-8
745173-1	.470	.150	745508-7
745175-4	.390	.130	745508-6
745173-2	.370	.120	745508-5
745174-3	.310	.100	745508-4
745175-5	.260	.080	745508-3
745172-1	.220	.060	745508-2
745175-6	.450	.150	745508-1
745173-4			
745174-5			
745172-2			
745173-5			
745171-1			
745172-3			
745171-2			
745174-4			
745173-3			
USED ON PART NO.	B	A	PART NO.

THIS DRAWING IS A CONTROLLED DOCUMENT.		DWN B. MCMASTER 12MAR04	Tyco Electronics Corporation Harrisburg, Pa 17105-3608	
DIMENSIONS: INCHES		CHK C. ROHDE 12MAR04	NAME	
		APVD M. WALMSLEY 12MAR04	FERRULE, CABLE CLAMP, SPLIT RING	
TOLERANCES UNLESS OTHERWISE SPECIFIED:		PRODUCT SPEC	RESTRICTED TO	
0 PLC ± - 1 PLC ± - 2 PLC ± - 3 PLC ± .010 4 PLC ± - ANGLES ± -		APPLICATION SPEC	SIZE A3	CAGE CODE 00779
MATERIAL ALUMINUM		FINISH -	DRAWING NO C-745508	SCALE 4:1
CUSTOMER DRAWING		WEIGHT -	SHEET 1 OF 1	REV B