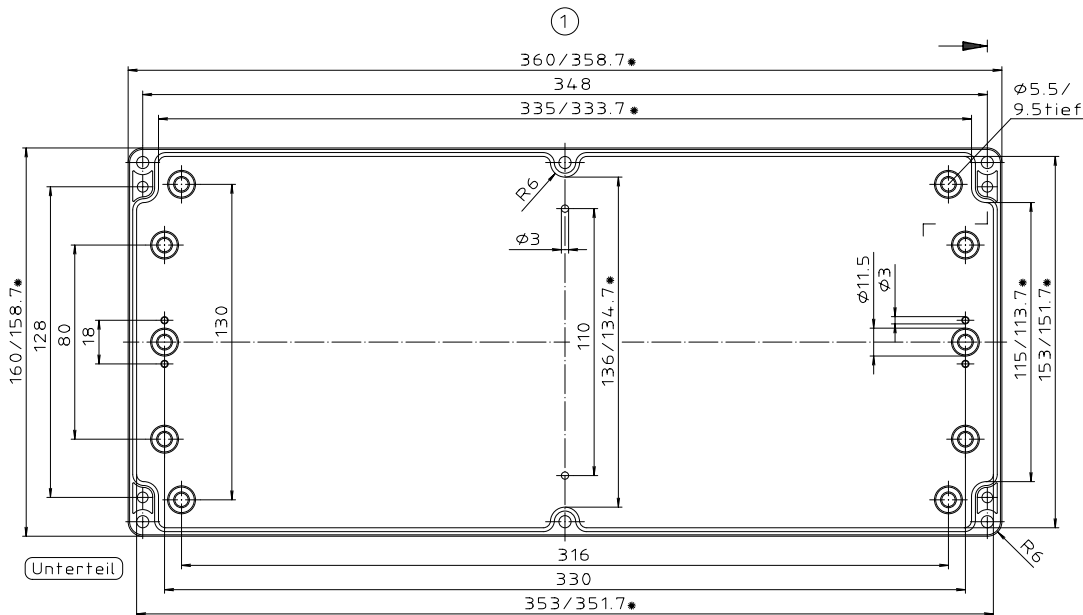
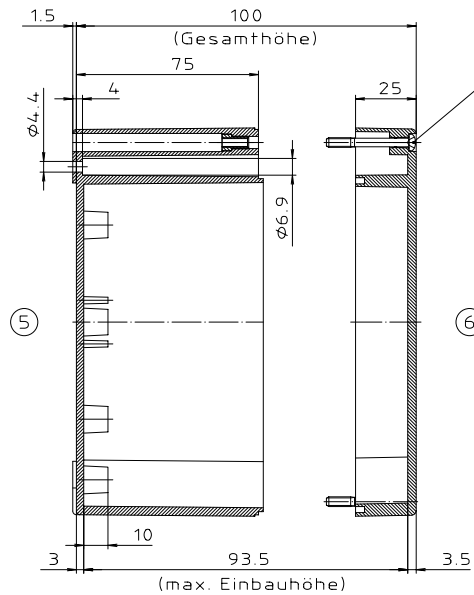


Deckel

* = Maß durch Formkonizität nach unten verringert.
Freimaß - Toleranz nach DIN 16901-130



Unterteil



Zylinderschraube M4 x 34/10
ähnl. DIN EN ISO 7045

ABS-Gehäuse können durch eine andere Schwindung ca. 0,1-0,25% größer sein als gezeichnete PC-Gehäuse

Konvertierung nicht zulässig!	
Maßstab: 1:1	
Zchn.Nr. 1K 251.005.05	
Artikel: M/T 251 mit Nocken Katalogzeichnung	
<small>2510</small> <small>2511</small> <small>2512</small> <small>2513</small> <small>2514</small> <small>2515</small> <small>2516</small> <small>2517</small> <small>2518</small> <small>2519</small> <small>2520</small> <small>2521</small> <small>2522</small> <small>2523</small> <small>2524</small> <small>2525</small> <small>2526</small> <small>2527</small> <small>2528</small> <small>2529</small> <small>2530</small> <small>2531</small> <small>2532</small> <small>2533</small> <small>2534</small> <small>2535</small> <small>2536</small> <small>2537</small> <small>2538</small> <small>2539</small> <small>2540</small> <small>2541</small> <small>2542</small> <small>2543</small> <small>2544</small> <small>2545</small> <small>2546</small> <small>2547</small> <small>2548</small> <small>2549</small> <small>2550</small> <small>2551</small> <small>2552</small> <small>2553</small> <small>2554</small> <small>2555</small> <small>2556</small> <small>2557</small> <small>2558</small> <small>2559</small> <small>2560</small> <small>2561</small> <small>2562</small> <small>2563</small> <small>2564</small> <small>2565</small> <small>2566</small> <small>2567</small> <small>2568</small> <small>2569</small> <small>2570</small> <small>2571</small> <small>2572</small> <small>2573</small> <small>2574</small> <small>2575</small> <small>2576</small> <small>2577</small> <small>2578</small> <small>2579</small> <small>2580</small> <small>2581</small> <small>2582</small> <small>2583</small> <small>2584</small> <small>2585</small> <small>2586</small> <small>2587</small> <small>2588</small> <small>2589</small> <small>2590</small> <small>2591</small> <small>2592</small> <small>2593</small> <small>2594</small> <small>2595</small> <small>2596</small> <small>2597</small> <small>2598</small> <small>2599</small> <small>2600</small>	 <small>A Phoenix Mecano Company</small>
DISK : 2 501 127	Datum: 25.10.93 OK