

MINI MCR-SL-TC-UI-NC

Order No.: 2864299



<http://eshop.phoenixcontact.de/phoenix/treeViewClick.do?UID=2864299>


MCR temperature transducer for thermocouples, can be configured via DIP switches, with screw connection, not pre-configured



Commercial data	
EAN	4017918956554
sales group	H524
Pack	1 pcs.
Customs tariff	85437090
Weight/Piece	0.0748 KG
Catalog page information	Page 342 (IF-2009)

Product notes

WEEE/RoHS-compliant since: 11/17/2006



<http://www.download.phoenixcontact.com>
Please note that the data given here has been taken from the online catalog. For comprehensive information and data, please refer to the user documentation. The General Terms and Conditions of Use apply to Internet downloads.

Technical data	
Input data	
Sensor types that can be used (TC)	Thermocouples type J, K (IEC 584-1)
Output data	
Voltage output signal	0 V ... 10 V

	10 V ... 0 V
	0 V ... 5 V
	1 V ... 5 V
Current output signal	0 mA ... 20 mA
	4 mA ... 20 mA
	20 mA ... 0 mA
	20 mA ... 4 mA
Max. output voltage	12.5 V
Max. output current	23 mA
Load/output load voltage output	$\geq 10 \text{ k}\Omega$
Load/output load current output	$< 500 \Omega$ (at 20 mA)

Power supply

Nominal supply voltage	24 V DC
Range of supply voltages	19.2 V DC ... 30 V DC (to bridge the supply voltage, the DIN rail connector (ME 6,2 TBUS-2 1,5/5-ST-3,81 GN, Order No. 2869728) can be used. It can be snapped onto a 35 mm DIN rail according to EN 60715)
Max. current consumption	$< 25 \text{ mA}$ (for 24 V DC)
Power consumption	$< 500 \text{ mW}$

Connection data

Type of connection	Screw connection
Conductor cross section solid min.	0.14 mm ²
Conductor cross section solid max.	2.5 mm ²
Conductor cross section stranded min.	0.2 mm ²
Conductor cross section stranded max.	2.5 mm ²
Conductor cross section AWG/kcmil min.	26
Conductor cross section AWG/kcmil max	12
Stripping length	12 mm
Screw thread	M3

General data

No. of channels	1
Width	6.2 mm
Height	93.1 mm
Depth	102.5 mm
Maximum temperature coefficient	$< 0.02 \text{ %/K}$

Cold point error, max.	< 3 K
Typical cold point errors	< 2 K
Step response (10-90%)	< 30 ms
Protective circuitry	Transient protection
Ambient temperature (operation)	-20 °C ... 65 °C
Ambient temperature (storage/transport)	-40 °C ... 85 °C
Degree of protection	IP20
Pollution degree	2
Surge voltage category	II
Electromagnetic compatibility	Conformance with EMC directive 2004/108/EC
Emitted interference	EN 61000-6-4
Immunity to interference	EN 61000-6-2:2005
Color	green
Housing material	PBT
Mounting position	Any
Assembly instructions	The DIN rail bus connector (T-BUS) can be used for bridging the supply voltage. It can be snapped onto a 35 mm EN 60715 DIN rail.
Conformity	CE compliant
ATEX	<input type="checkbox"/> II 3 G Ex nA II T4 X
UL, USA / Canada	UL 508 Recognized
GL	GL EMC 2 D

Certificates / Approvals



Certification	CUL, GL, UL
Certification Ex:	CUL-EX LIS, UL-EX LIS

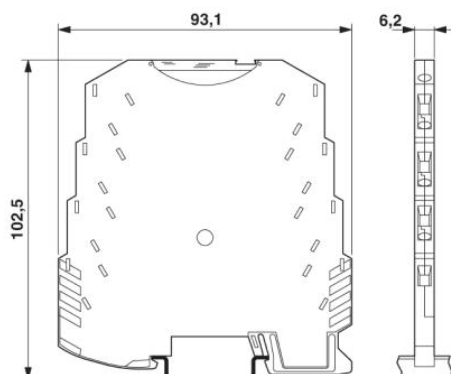
Accessories

Item	Designation	Description
General		
2308111	MINI MCR DKL	Fold up transparent cover for MINI MCR modules with additional labeling option using insert strips and flat Zack marker strip 6.2 mm

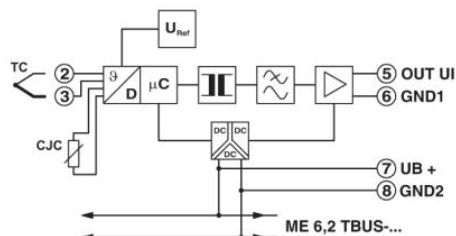
2810272	MINI MCR-DKL-LABEL	Label for extended marking of MINI MCR modules in connection with the MINI MCR-DKL
2864134	MINI MCR-SL-PTB	MCR power terminal block for supplying several MINI Analog modules via the DIN rail connectors, with screw connection, current consumption up to max. 2 A
2864147	MINI MCR-SL-PTB-SP	MCR power terminal block for supplying several MINI-ANALOG modules via the DIN rail connectors, with spring-cage connection, current consumption up to max. 2 A
2811268	MINI MCR-SL-V8-FLK 16-A	Eight MINI analog signal converters with screw connection method can be connected to a control system using a system adapter and system cabling with a minimum of wiring and very low error risk.
2866653	MINI-PS-100-240AC/24DC/1.5/EX	DIN rail power supply unit, primary-switched mode, slim design, output: 24 V DC / 1.5 A, ATEX approval
2866983	MINI-SYS-PS-100-240AC/24DC/1.5	DIN rail power supply unit, primary-switched mode, slim design, output: 24 V DC / 1.5 A

Diagrams/Drawings

Dimensioned drawing



Circuit diagram



Approbationslogos (EX-Bereich)



Address

PHOENIX CONTACT Deutschland GmbH
Flachmarktstr. 8
32825 Blomberg, Germany
Phone +49 5235 3 12000
Fax +49 5235 3 41200
<http://www.phoenixcontact.de>



© 2010 Phoenix Contact
Technical modifications reserved;