

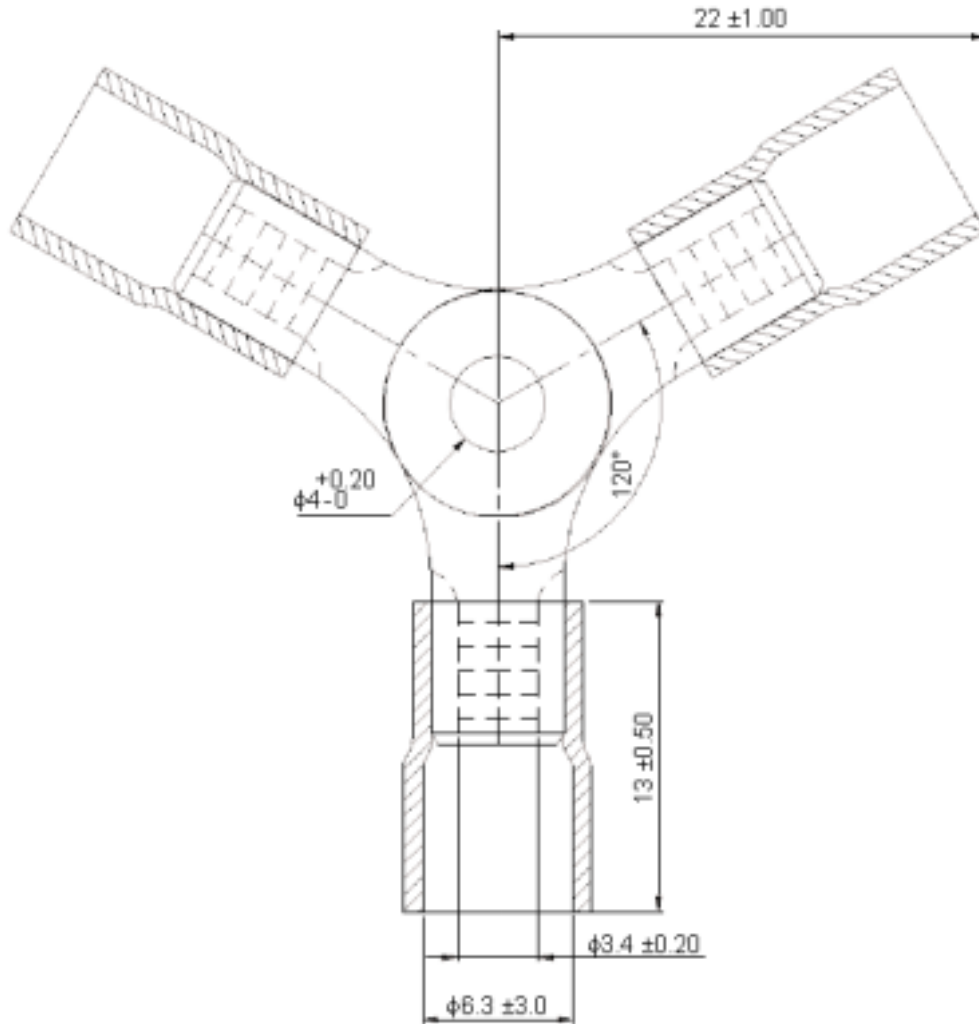


PART NO.

3WCV5

REVISIONS

ECN #	REV	DESCRIPTION	DRAWN	DATE	CHECKD	DATE	APPRVD	DATE
-	A	RELEASED	Lakshmi	12/9/07	Suresh	12/9/07	G. C	27/9/07



Dimensions : Millimetres

Specifications:

Maximum Electric Current :

AWG	12	10
Ampere	35	50

Maximum Electrical Rating : 75°C 600 Volts.

Connector Material : Copper.

Insulation Material : Vinyl.

Insulation Colour : 12 - 10 AWG : Yellow.

Wire Range : 12 - 10 AWG (4 - 6mm²).

Terminals Surface Treatment : Tin Plated.

Part Number Table

Description	Part Number
Terminal, 3 Way Yellow	3WCV5

<http://www.farnell.com>

<http://www.newark.com>

<http://www.cpc.co.uk>

This data sheet and its contents (the "Information") belong to the Premier Farnell Group (the "Group") or are licensed to it. No licence is granted for the use of it other than for information purposes in connection with the products to which it relates. No licence of any intellectual property rights is granted. The Information is subject to change without notice and replaces all data sheets previously supplied. The Information supplied is believed to be accurate but the Group assumes no responsibility for its accuracy or completeness, any error in or omission from it or for any use made of it. Users of this data sheet should check for themselves the Information and the suitability of the products for their purpose and not make any assumptions based on information included or omitted. Liability for loss or damage resulting from any reliance on the Information or use of it (including liability resulting from negligence or where the Group was aware of the possibility of such loss or damage arising) is excluded. This will not operate to limit or restrict the Group's liability for death or personal injury resulting from its negligence. SPC MULTICOMP is the registered trademark of the Group. © Premier Farnell plc 2007.

TOLERANCES:

UNLESS OTHERWISE SPECIFIED, DIMENSIONS ARE FOR REFERENCE PURPOSES ONLY.

DRAWN BY:	DATE:
Lakshmi	12/09/07
CHECKED BY:	DATE:
Suresh	12/09/07
APPROVED BY:	DATE:
G.Cook	27/09/07

DRAWING TITLE:

3WCV5 - 3 Way Terminal Yellow

SIZE A	DWG NO. M10000621	ELECTRONIC FILE 3WCV5_DWG	REV A
SCALE: NTS	U.O.M.: mm	SHEET: 1 OF 1	