

# DC axial fan

Series 8300 80 x 80 x 32 mm



- **General description:** DC fan with electronically commutated external rotor motor. Commutation electronics completely integrated. Optional Vario-Pro: Highly flexible software configuration for the fan ensures an easily customizable solution to meet the individual requirements of your application.

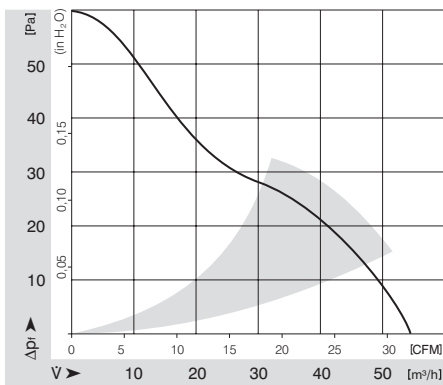
- **Impeller material:** Fiberglass-reinforced PA plastic

- **Housing material:** Fiberglass-reinforced PBTP plastic

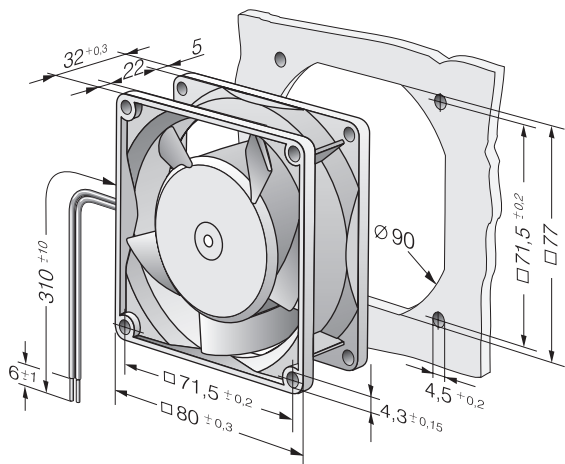
Nominal data		Voltage	Voltage range VDC	Air flow	Speed	Power consumption	Sound level	Sound pressure level	Ambient temperature	L10 service life at 40 °C	L10 service life at max. temp.	Weight
Type	Motor	VDC	VDC	m³/h	1/min	W	Bel	dB(A)	°C	h	h	kg
8318	--	48	36 - 56	54	3300	2.6	5.2	36	-20 .. 75	70000	30000	0.170

Subject to modification

## Characteristic: Pressure over air flow



## Specific drawing



# DC axial fan

Series 8300 80 x 80 x 32 mm

## Technical description

- **General description:** DC fan with electronically commutated external rotor motor. Commutation electronics completely integrated. Optional Vario-Pro: Highly flexible software configuration for the fan ensures an easily customizable solution to meet the individual requirements of your application.
- **Housing material:** Fiberglass-reinforced PBTP plastic
- **Direction of rotation:** Right, looking at rotor
- **Electrical connection:** 2 single strands AWG 22, TR 64
- **Blocking protection:** Blocking and overload protection
- **Option:** Speed signal, alarm signal
- **Impeller material:** Fiberglass-reinforced PA plastic
- **Bearings:** Ball bearings
- **Direction of flow:** Air exhaust over bars
- **Motor protection:** Reverse-polarity protected. The fan runs only if the polarity is correct.
- **Approvals:** VDE, CSA, UL, CE

## Contact

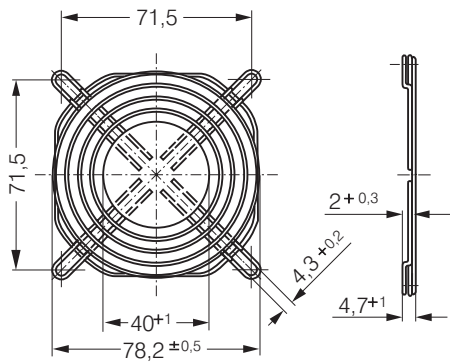
### ebm-papst St. Georgen GmbH & Co. KG

Hermann-Papst-Straße 1  
D-78112 St. Georgen  
Phone +49 (0) 7724 / 81-0  
Fax +49 (0) 7724 / 81-1309  
info2@de.ebmpapst.com  
www.ebmpapst.com

# Guard grille

Order No.

LZ32-4



## Technical description

- **General description:** Guard grille in accordance with EN 294

- **Material:** Rust-protected steel wire

## Contact

**ebm-papst St. Georgen GmbH & Co. KG**

Hermann-Papst-Straße 1

D-78112 St. Georgen

Phone +49 (0) 7724 / 81-0

Fax +49 (0) 7724 / 81-1309

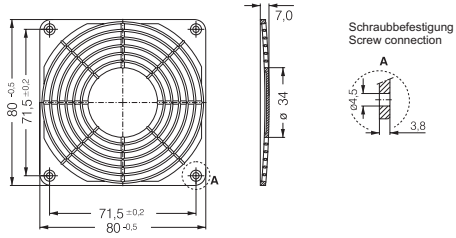
info2@de.ebmpapst.com

www.ebmpapst.com

# Guard grille

Order No.

LZ32-2



## Technical description

- **General description:** Guard grille in accordance with EN 294

- **Material:** Fiberglass-reinforced plastic

## Contact

**ebm-papst St. Georgen GmbH & Co. KG**

Hermann-Papst-Straße 1

D-78112 St. Georgen

Phone +49 (0) 7724 / 81-0

Fax +49 (0) 7724 / 81-1309

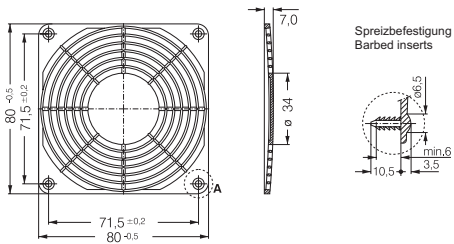
info2@de.ebmpapst.com

www.ebmpapst.com

# Guard grille

Order No.

LZ32-3



## Technical description

- **General description:** Guard grille in accordance with EN 294

- **Material:** Fiberglass-reinforced plastic

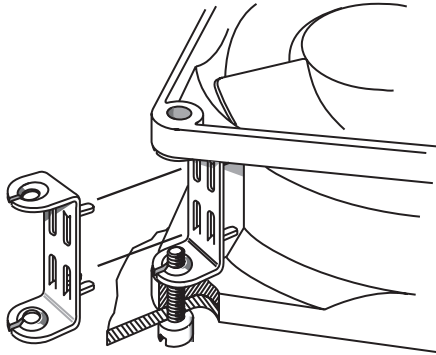
## Contact

ebm-papst St. Georgen GmbH & Co. KG  
Hermann-Papst-Straße 1  
D-78112 St. Georgen  
Phone +49 (0) 7724 / 81-0  
Fax +49 (0) 7724 / 81-1309  
info2@de.ebmpapst.com  
www.ebmpapst.com

## Screw clip

Order No.

LZ212



### Technical description

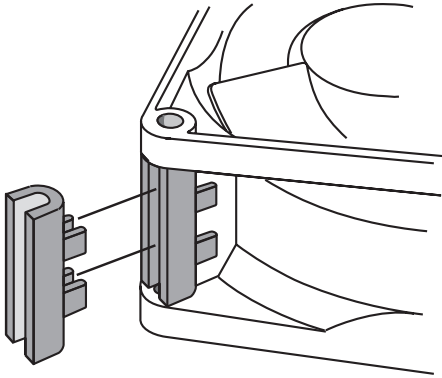
- **General description:** For mounting fans using a tapping screw 3.5 DIN 797.
- **Material:** Rust-protected spring steel
- **Note:** In addition to the accessories and mounting parts listed here, ebm-papst supplies a wide variety of other resources for fan operation, some of which are very specialized. Our company's sales team will be glad to provide expert assistance for any questions you may have.

### Contact

**ebm-papst St. Georgen GmbH & Co. KG**  
Hermann-Papst-Straße 1  
D-78112 St. Georgen  
Phone +49 (0) 7724 / 81-0  
Fax +49 (0) 7724 / 81-1309  
info2@de.ebmpapst.com  
www.ebmpapst.com

Order No.

LZ260



## Technical description

- **General description:** For mounting with screws using both ventilation mounting flanges
- **Note:** In addition to the accessories and mounting parts listed here, ebm-papst supplies a wide variety of other resources for fan operation, some of which are very specialized. Our company's sales team will be glad to provide expert assistance for any questions you may have.
- **Material:** Fiberglass-reinforced plastic

## Contact

### ebm-papst St. Georgen GmbH & Co. KG

Hermann-Papst-Straße 1  
D-78112 St. Georgen  
Phone +49 (0) 7724 / 81-0  
Fax +49 (0) 7724 / 81-1309  
info2@de.ebmpapst.com  
www.ebmpapst.com