



**FLAMEPROOF ELECTRICAL ENCLOSURES LTD**

Tat Bank Road, Oldbury, West Midlands B69 4NP

Telephone: 0121 541 1315 Fax: 0121 552 0592 E-mail: sales@feel.uk.net Website: www.feel.uk.net



Certificate No. 930015

# RANGE 9000

## EXPLOSION PROTECTED / WEATHERPROOF / JUNCTION BOX

Sira certified under directive 94/9/EC (ATEX) for Group II, Category 2, G and D. The enclosure has been certified to give a large measure of flexibility based on Power Dissipation and is suitable for Zone 1, 2 (Gases) Zone 21 and 22 (Dusts). Product complies with standards EN 50014, EN 50019 and EN 50281-1-1

**CERTIFICATE NUMBER:** Sira 02ATEX3111

**PROTECTION CONCEPT:** EEx e II T6 T85°C  
EEx e II T5 T100°C  
EEx e II T3 T150°C

**AMBIENT TEMPERATURE:** -40°C to +50°C (T6)  
-40°C to +55°C (T5)  
-40°C to +130°C (T3)

**POWER DISSIPATION LIMIT:** 7.2W

**INGRESS PROTECTION:** IP66

**MATERIALS STANDARD:** Glass Reinforced Polyester,  
Fire Retardant.

**SPECIAL:** Forton PPS for 130°C ambient,  
when fitted with ceramic terminals.

**COVER SCREWS:** Stainless Steel captive - the enclosure has a uniquely designed hinged cover which allows the unit to remain 'as one' at the time of installation.

**EARTHING FACILITIES:** Supplied as an optional extra: 1. Earth continuity Plate. 2. internal / External Earth Stud.

**FINISH STANDARD:** Matt Black.

**WEIGHT:** 0.6Kg (approx)

**CABLE ENTRIES:** Standard entries are 20mm and 25mm ISO metric. 1.5mm pitch. Alternative entries are available upon request. NPT 1/2" and 3/4". Pg 11, 13.5, 16 and 21. BS conduit 3/4" and 1" or plan clearance holes.

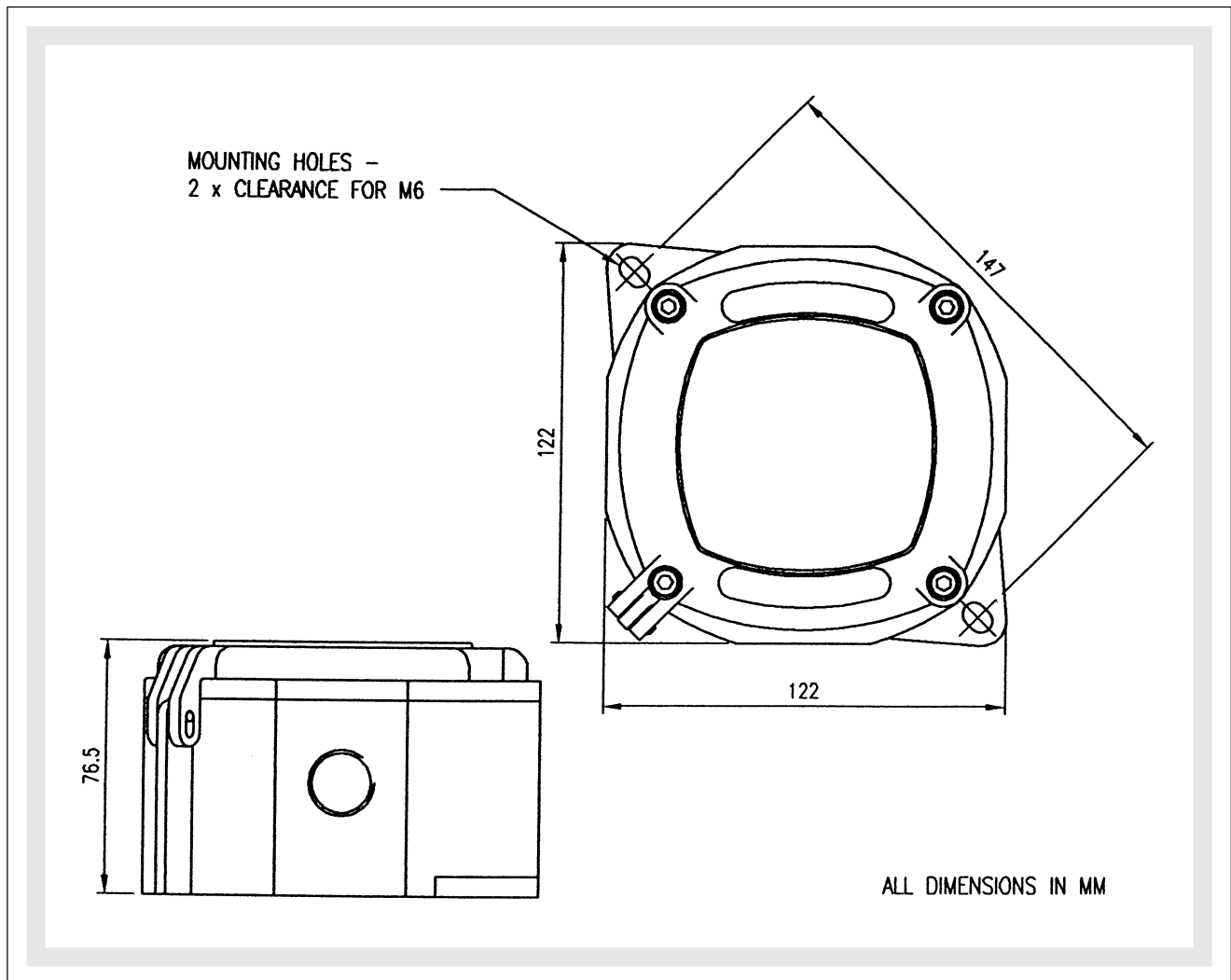


	Entry Position		20mm	25mm
	1 Way	West		9001
2 Way	West and East		9002	9052
3 Way	West, East and South		9003	9053
4 Way	West, East, South and North		9004	9054
Angle	West and South		9005	9055

**TERMINAL BLOCKS:** Various terminal blocks may be fitted to the enclosure the table opposite is a guide to ratings that can be obtained using various terminal combinations. The table assumes that each terminal is carrying the same level of current for further information please call FEEL technical personnel.

Terminal Form	Maximum No of Ways	Conductor Size (mm <sup>2</sup> )	Load per Terminal (T6)	Load per Terminal (T5)	Load per Terminal (T3)	Terminal Voltage
Block	6	4.0	28.0	28.0	N/A	275
Block	6	6.0	26.0	26.0	N/A	420
Rail mounted	10	2.5	21.0	21.0	N/A	550
Rail mounted	8	4.0	28.0	28.0	N/A	550
Rail mounted	6	6.0	36.0	36.0	N/A	550
Rail mounted	4	10.0	50.0	50.0	N/A	550
Rail mounted (ceramic)	7	4.0	N/A	N/A	21.0	275
Rail mounted (ceramic)	4	10.0	N/A	N/A	37.0	275

**IMPORTANT** In order to comply with certification requirements it is necessary to supply each enclosure fitted with a terminal block. Please detail your exact requirements. If terminal blocks are not defined each enclosure will be fitted with a 4-way block suitable for 4.0mm<sup>2</sup> conductors @ 28 Amps. Entry to enclosure must be by way of approved cable glands and unused entries must be fitted with approved plugs.



**INSTALLATION INSTRUCTIONS:** The installer must ensure that the enclosure chosen is suitable for the field of application. Which means that the marking on the certification label must correspond to the classification given to the Ex area.  
Also that the temperature class of the enclosure meets the respective requirements.  
For further information refer to the Installation Instruction sheet provided with the enclosures.

**THE RIGHT CHOICE FOR QUALITY AND SERVICE**