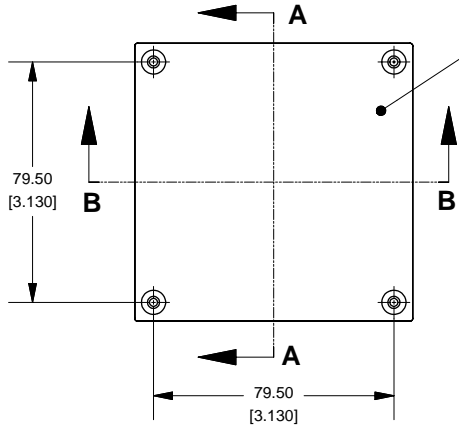
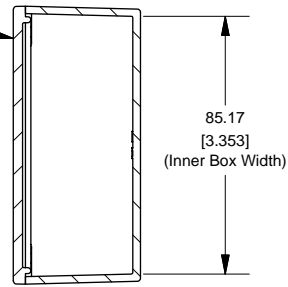


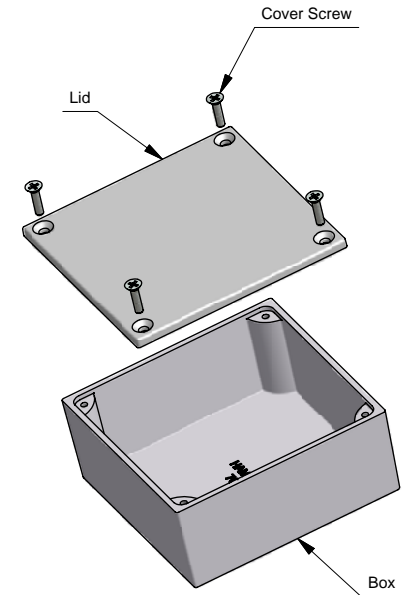
### Top View of Assembly



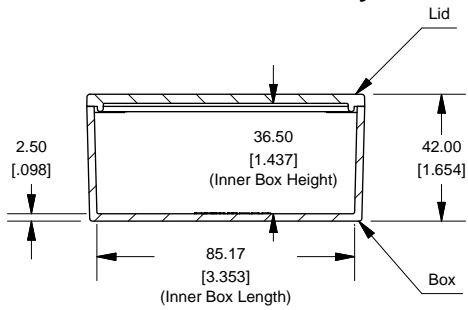
### SECTION A-A End View of Assembly



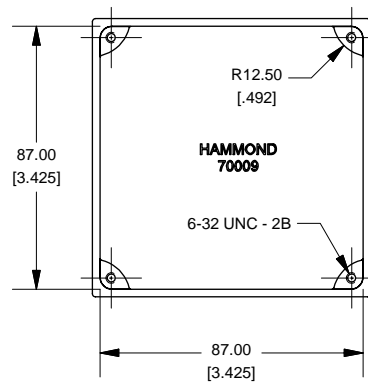
## 70009 (Basic)



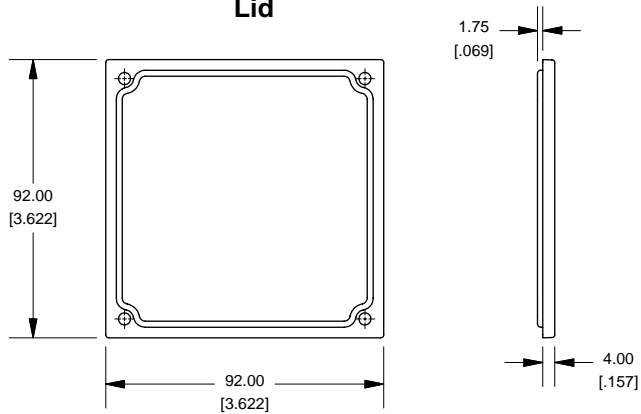
### SECTION B-B Side View of Assembly



### Top View Looking Inside Box



### Lid



**NOTE**  
 Purchased assembly includes box, lid and 4 cover screws.  
 Box and lid are made from Diecast Aluminum Alloy (alloy type 360.1).

PART NUMBERS	
<b>70009 Enclosure</b>	
Unfinished	70009
Black Textured Powder Paint	70009BK
<b>70009 Liquid Resistant Enclosure (Silicon Factory Installed Gasket)</b>	
Unfinished	70009W
Black Textured Powder Paint	70009WBK
<b>ACCESSORIES</b>	
Unfinished	
Cover Screws (Pkg 100) [6-32 x 1/2" Nickel Plated Screws]	1590MS100
Black Textured Powder Paint	
Cover Screws (Pkg 50) [6-32 x 1/2" Stainless Steel Black Screws]	1590MS50BK



www.hammondmfg.com