




## PRODUCTS

- [Products Home](#)
- [Size Table](#)
- [Accessories](#)
- [Customization](#)
- [A-Series](#)
- [C-Series](#)
- [CA-Series](#)
  - [CA-Home](#)
  - [CA-4](#)
  - [CA-6](#)
  - [CA-8](#)
  - [CA-10](#)
- [CH-Series](#)
  - [CH-Home](#)
  - [CH-4](#)
  - [CH-6](#)
  - [CH-8](#)
- [G-Series](#)
- [H-Series](#)
  - [H-Home](#)
  - [H-45](#)
  - [H-45, AAA](#)
  - [H-65](#)
  - [H-65, 9V](#)
  - [H-65, AA](#)
  - [H-65, AC](#)
  - [H-67](#)
  - [H-67, 9V](#)
  - [H-67, AA](#)
  - [H-67, AC](#)
  - [H-75](#)

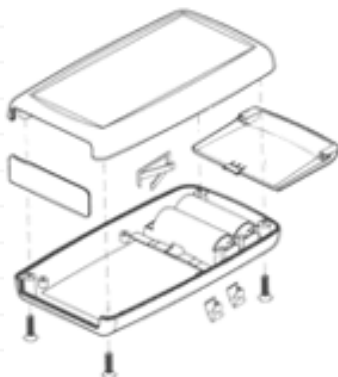
## Products: H-Series

### H-65 (AC)



MODEL	LENGTH	WIDTH	HEIGHT	DRAWINGS	
				(.pdf)	(.dwg)
 <b>H-65, AA</b>	4.940"	2.750"	0.944"		
<a href="#">Click to view circuit board diagram (H-65, AA Circuit Board)</a>					

## FEATURES



- Three piece design with ergonomic handheld shape
- Replaceable end panels ([see accessories below](#))
- 2 x AA battery compartment with contactors
- Circuit board mounting bosses ([adjustable height, see in-mold customization](#))
- Assembly with four screws
- Customization available
  - five insert areas/I-Plates ([top and bottom, internal top and bottom, and face place](#))
  - [machining](#)

[H-75, 4AA](#)

[H-75, 9V](#)

[H-75, AA](#)

[+ M-Series](#)

[+ R-Series](#)

[+ RX-Series](#)

[+ S-Series](#)

[+ SL-Series](#)

[-pad printing](#)

## COLORS



Black



Almond



Gray

[Custom Colors Also Available](#)



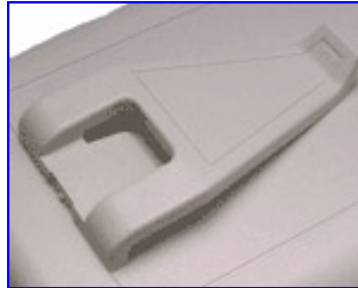
Translucent colors (red, green, blue and gray)  
on selected models

[RETURN TO TOP](#)

## ACCESSORIES (Click an accessory for compatible models and part numbers)



Infrared, Clear and  
Transparent End Panels  
[RETURN TO TOP](#)



Pocket Clip

[Home](#) | [About SERPAC](#) | [Products](#) | [Accessories](#) | [Customizations](#) | [Distributors](#) | [Buy Now!](#) | [Contact Us](#)

PRODUCTS: [A-Series](#) | [C-Series](#) | [CA-Series](#) | [CH-Series](#) | [G-Series](#) | [H-Series](#) | [M-Series](#) | [R-Series](#) | [S-Series](#) | [SL-Series](#)

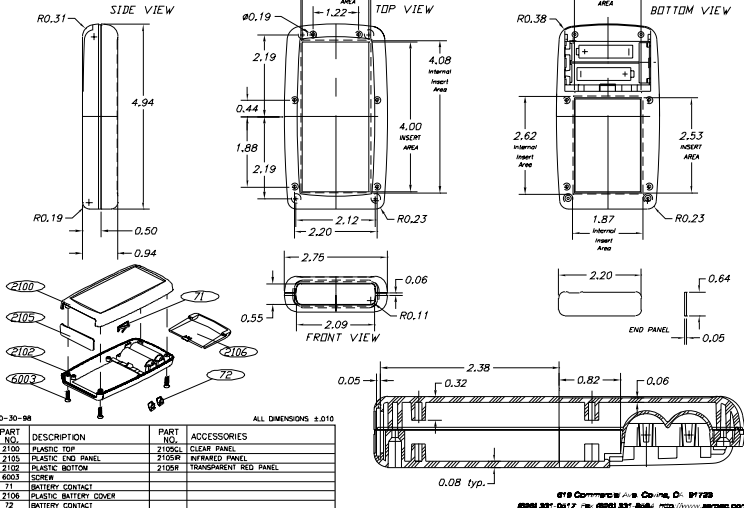
© 2004, SERPAC Electronic Enclosures. All Rights Reserved

# SERPAC H-65,AA

Electronics Enclosures

**NOTES:**

1. WHEN MACHINE CUT PLATES MODIFICATIONS ARE REQUIRED, USE THE CENTER OF THE BOX TO DIMENSION.



10-30-98

ALL DIMENSIONS ±0.01

PART NO.	DESCRIPTION	PART NO.	ACCESSORIES
2100	PLASTIC TOP	2105CL	CLEAR PANEL
2105	PLASTIC END PANEL	2105IR	INFRARED PANEL
2102	PLASTIC BOTTOM	2105R	TRANSPARENT RED PANEL
6003	SCREW		
71	BATTERY CONTACT		
2106	PLASTIC BATTERY COVER		
72	BATTERY CONTACT		

618 Commerce Ave. Collins, CO 81728

PHONE 303-601-7171 FAX (303) 331-8068 <http://www.serpac.com>