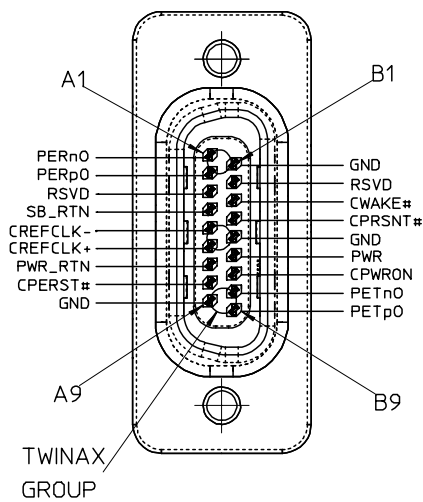
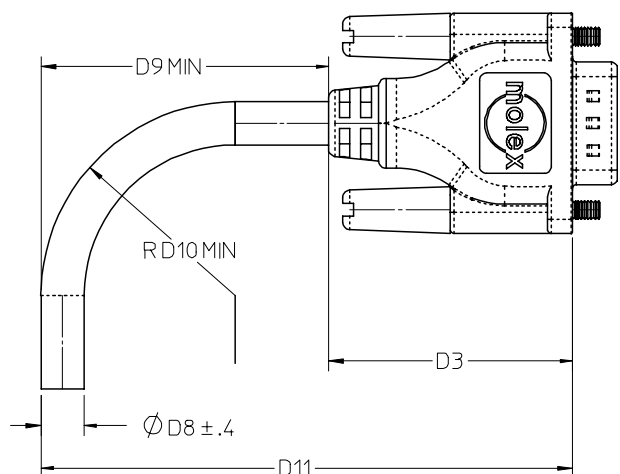


MATERIAL NUMBER	DESCRIPTION	GAUGE	LENGTH(M) TOL.
745760000	1X PCIe CABLE ASSEMBLY	28	0.5M±0.025
745760001	1X PCIe CABLE ASSEMBLY	28	1M±0.050
745760002	1X PCIe CABLE ASSEMBLY	28	2M±0.100
745760003	1X PCIe CABLE ASSEMBLY	28	3M±0.100
745760004	1X PCIe CABLE ASSEMBLY	28	4M±0.100
745760005	1X PCIe CABLE ASSEMBLY	26	5M±0.150
745760006	1X PCIe CABLE ASSEMBLY	26	6M±0.150
745760007	1X PCIe CABLE ASSEMBLY	24	7M±0.150

- NOTES:
- INNER MOLDED WITH 887800008.
OUTER MOLED WITH BLACK 887800019
 - THIS PRODUCT MEETS THE RESTRICTION OF HAZARDOUS SUBSTANCES IN ELECTRICAL AND ELECTRONIC EQUIPMENT (RoHS) DIRECTIVE (2002/95/EC).
 - WW/YY DATE CODE:
WW-WEEK NUMBER
YY-LAST TWO NUMBER OF THE YEAR

ENTER DESCRIPTION EC NO: USY2006-0335 DRWN: JERWIN CHKD: THALL APPR: DDOYE	2006/04/19 2006/04/24 2006/04/25	QUALITY SYMBOLS ▽=0 ▽=0	GENERAL TOLERANCES (UNLESS SPECIFIED)		DIMENSION STYLE	SCALE	DESIGN UNITS	THIRD ANGLE PROJECTION 1X PCIe CABLE ASSEMBLY MOLEX INCORPORATED SD-74576-000
					MM/IN	1:1	METRIC	
					DRAWN BY	DATE	TITLE	
					CHECKED BY	DATE		
		4 PLACES ± --- ± --- 3 PLACES ± --- ± .020 2 PLACES ± 0.5 ± --- 1 PLACE ± --- ± --- ANGULAR ± 1°		APPROVED BY	DATE			
		DRAFT WHERE APPLICABLE MUST REMAIN WITHIN DIMENSIONS		MATERIAL NO.	DOCUMENT NO.			SHEET NO.
				SEE CHART	SD-74576-000			1 OF 2
				THIS DRAWING CONTAINS INFORMATION THAT IS PROPRIETARY TO MOLEX INCORPORATED AND SHOULD NOT BE USED WITHOUT WRITTEN PERMISSION				



SIGNAL DESC	PIN#		PIN#	SIGNAL DESC
PERn0	A1	◀	B8	PETn0
PERp0	A2	◀	B9	PETp0
RSVD	A3	NC	A3	RSVD
SB_RTn	A4	-----	A4	SB_RTn
CREFCLK-	A5	◀	A5	CREFCLK-
CREFCLK+	A6	◀	A6	CREFCLK+
PWR_RTn	A7	NC	A7	PWR_RTn
CPERST#	A8	-----	A8	CPERST#
GND	A9	-----	B1	GND
GND	B1	-----	A9	GND
RSVD	B2	NC	B2	RSVD
CWAKE#	B3	-----	B3	CWAKE#
CPRST#	B4	-----	B4	CPRST#
GND	B5	-----	B5	GND
PWR	B6	NC	B6	PWR
CPWRON	B7	-----	B7	CPWRON
PETp0	B9	-----▶	A2	PERp0
PETn0	B8	-----▶	A1	PERn0

AWG	24	26	TOLERANCE
D8	6.5	5.80	±0.4
D10	29.25	26.10	MIN
D9	35.6	32.45	MIN
D3	34.00	34.00	BASIC
D11	75.95	72.80	MIN

ENTER DESCRIPTION EC NO: USY2006-0335 DRWN: JERWIN 2006/04/19 CHKD: THALL 2006/04/24 APPR: DOOYE 2006/04/25	QUALITY SYMBOLS ▽=0 ▽=0	GENERAL TOLERANCES (UNLESS SPECIFIED)		DIMENSION STYLE MM/IN	SCALE 1:1	DESIGN UNITS METRIC	THIRD ANGLE PROJECTION	
		4 PLACES ± --- ± --- 3 PLACES ± --- ± .020 2 PLACES ± 0.5 ± --- 1 PLACE ± --- ± ---	DRAWN BY JERWIN	DATE 2006/04/06	TITLE 1X PCIE CABLE ASSEMBLY			
		ANGULAR ± 1 °	CHECKED BY T.HALL	DATE 2006/04/06	MOLEX INCORPORATED			
		DRAFT WHERE APPLICABLE MUST REMAIN WITHIN DIMENSIONS	APPROVED BY D.DOYE	DATE 2006/04/06	MATERIAL NO. SEE CHART	DOCUMENT NO. SD-74576-000	SHEET NO. 2 OF 2	