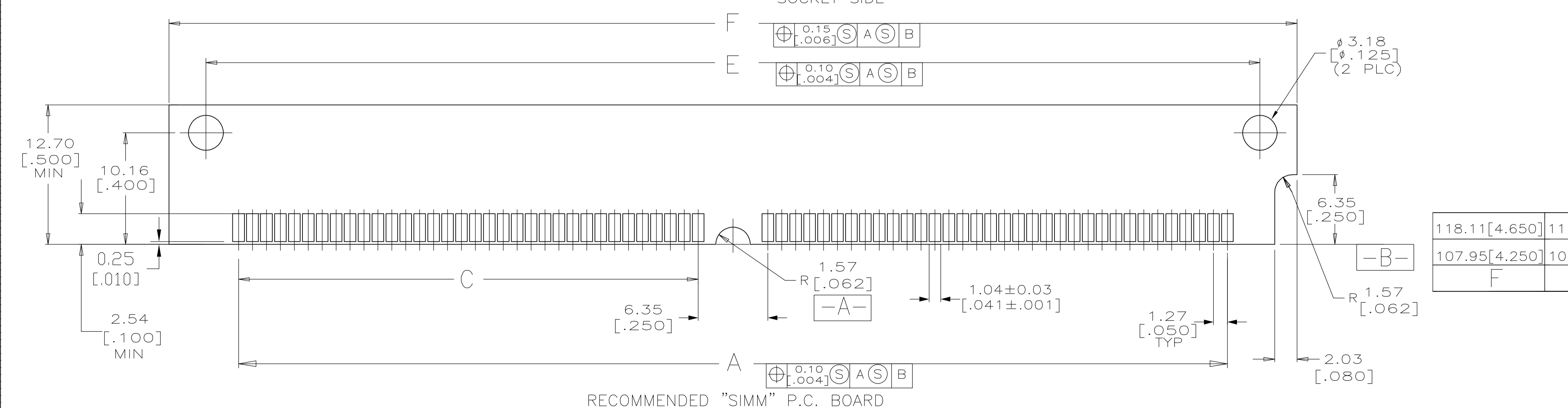
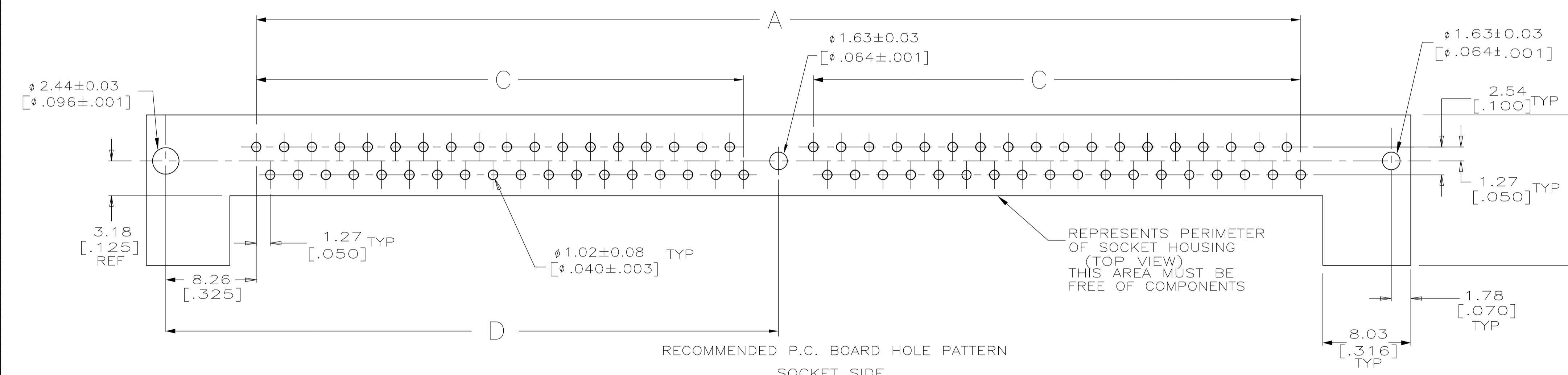
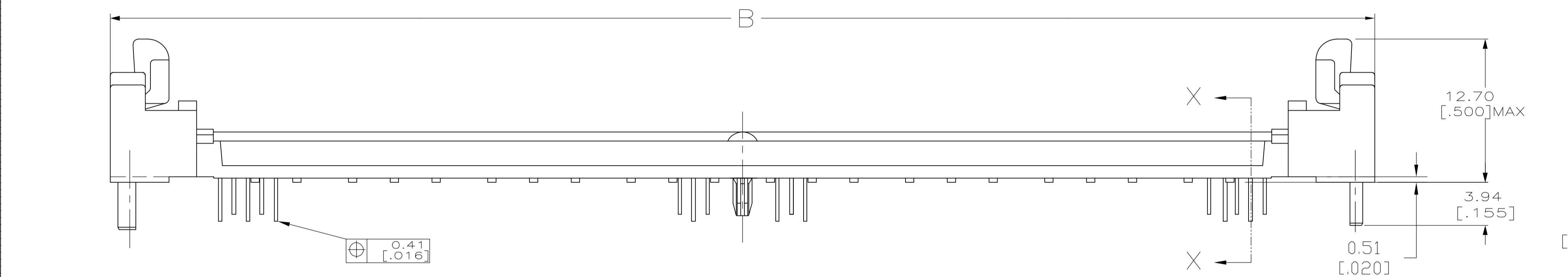
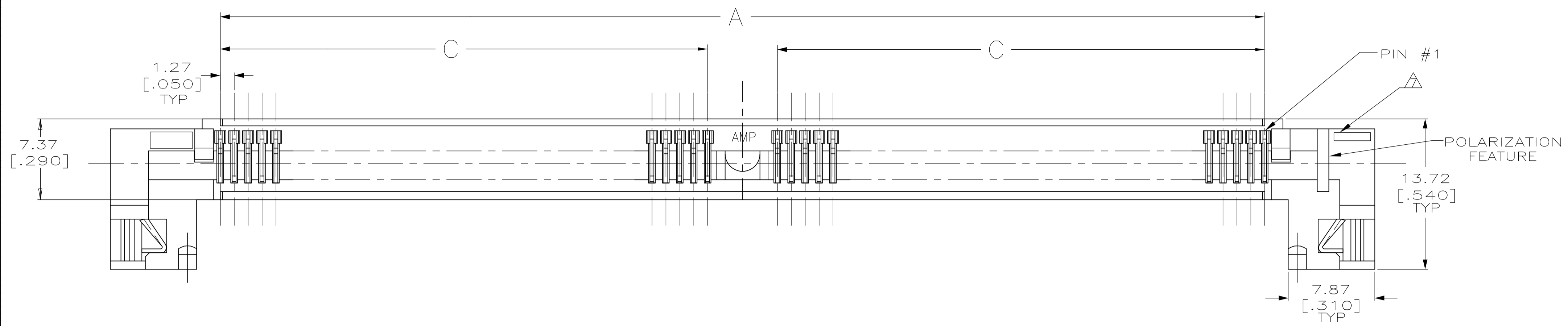
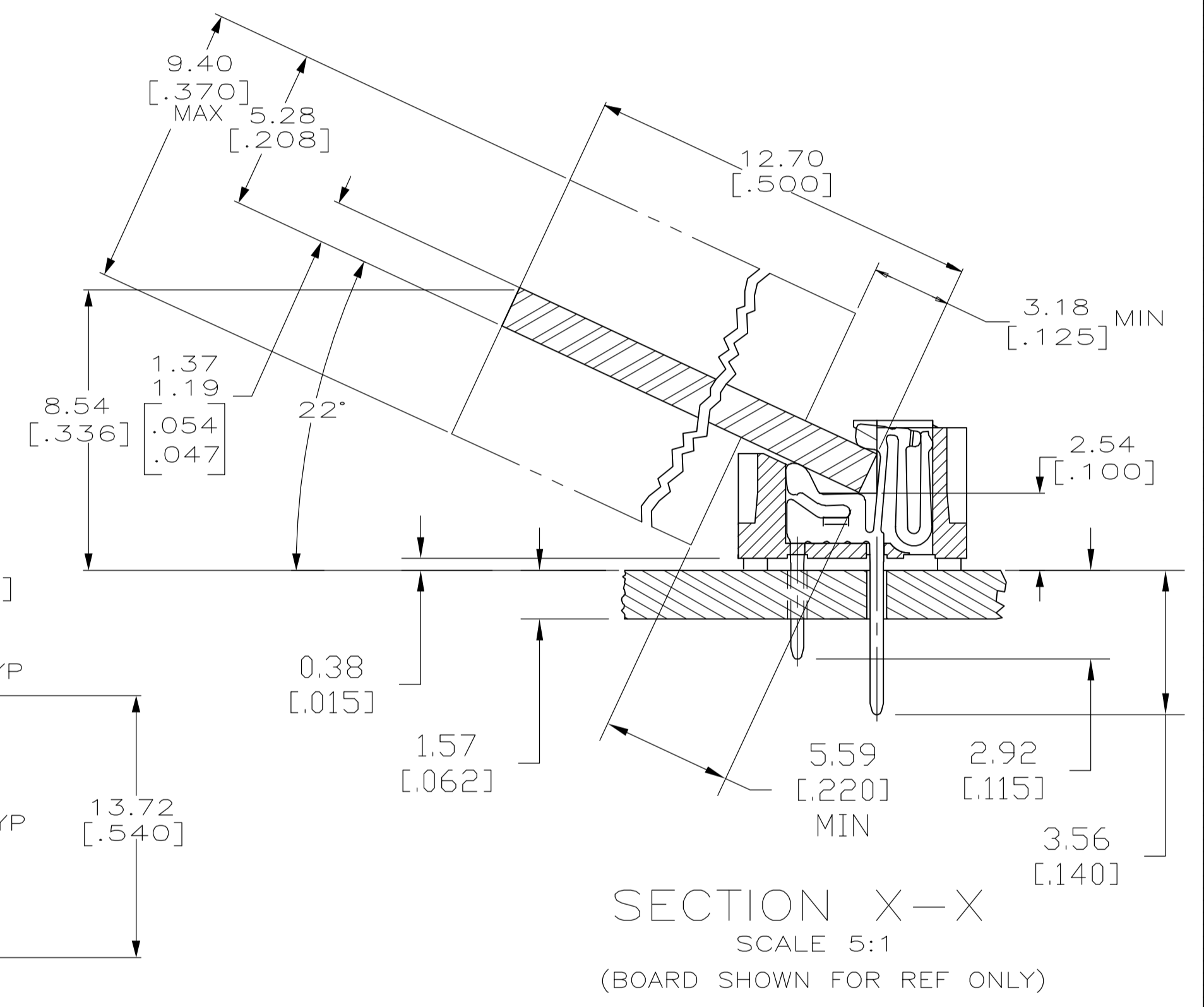


LOC		DIST		REVISIONS			
AG	00	P	LTR	DESCRIPTION	DATE	BY	APPD
A				RELEASED PER EC 0512-0501-04	07JAN05	BM	MY



- △ HOUSING-MATERIAL : LIQUID-CRYSTAL-POLYMER.
- △ CONTACT-MATERIAL : PHOS. BRONZE.
- △ LATCH-MATERIAL : STAINLESS STEEL
- △ CONTACT-PLATE: 0.00508[.000200] MIN. MATTE TIN OVER 0.00127 [.000050] MIN NICKEL.
- 5. IN ADDITION TO THOSE RECOMMENDED "SIMM" P.C. BOARD DIMENSIONS AND TOLERANCES SHOWN, ALL JEDEC SPECIFICATIONS APPLY AS SHOWN ON MO-116, ISSUE A.
- 6. RECOMMENDED MATING S.I.M.M. TAB METALLURGY:  
 BASE METAL-COPPER. PLATING TO BE 0.00762[.000300] MIN TIN/LEAD OVER 0.00127[.000050] MIN NICKEL.
- △ 'S' IDENTIFIER LOCATED APPROXIMATELY AS SHOWN.



118.11[4.650]	111.35[4.384]	60.96[2.400]	49.53[1.950]	125.48[4.940]	105.41[4.150]	80	5822134-4
107.95[4.250]	101.19[3.984]	55.88[2.200]	44.45[1.750]	115.32[4.540]	95.25[3.750]	72	5822134-3
F	E	D	C	B	A	NO. OF POS	PART NO

THIS DRAWING IS A CONTROLLED DOCUMENT.

DIMENSIONS: INCHES	TOLERANCES UNLESS OTHERWISE SPECIFIED:	DIN 9137	07JAN05	tyco	Tyco Electronics Corporation
0 PLC ± -	1 PLC ± -	07JAN05		Harrisburg, Pa 17105-3608	
2 PLC ± -	3 PLC ± 0.13[.005]	APD			
4 PLC ± -	ANGLES ± -	PRODUCT SPEC			
MATERIAL: HOUSING: △ CONTACT: △ LATCH: △	FINISH: HOUSING: NATURAL △ CONTACT: △ LATCH: △	APPLICATION SPEC			
WEIGHT	SIZE	CAGE CODE	DRAWING NO	RESTRICTED TO	
	A1	00779	5822134		
CUSTOMER DRAWING	SCALE	SHEET	REV		
	4:1	1 OF 1			