

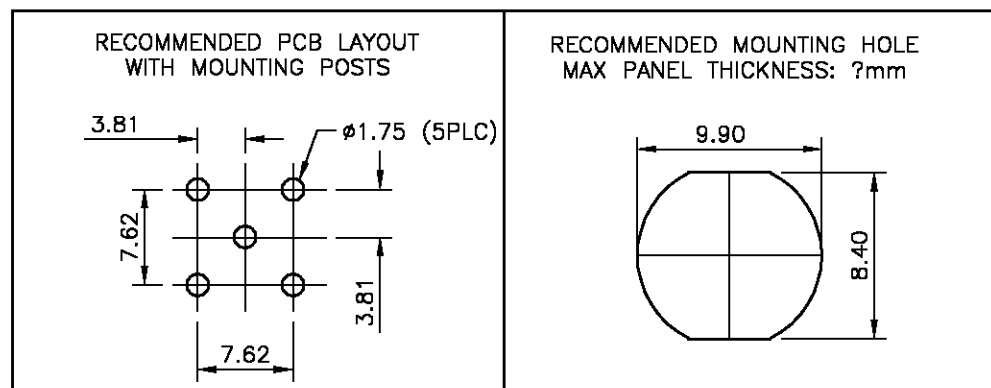
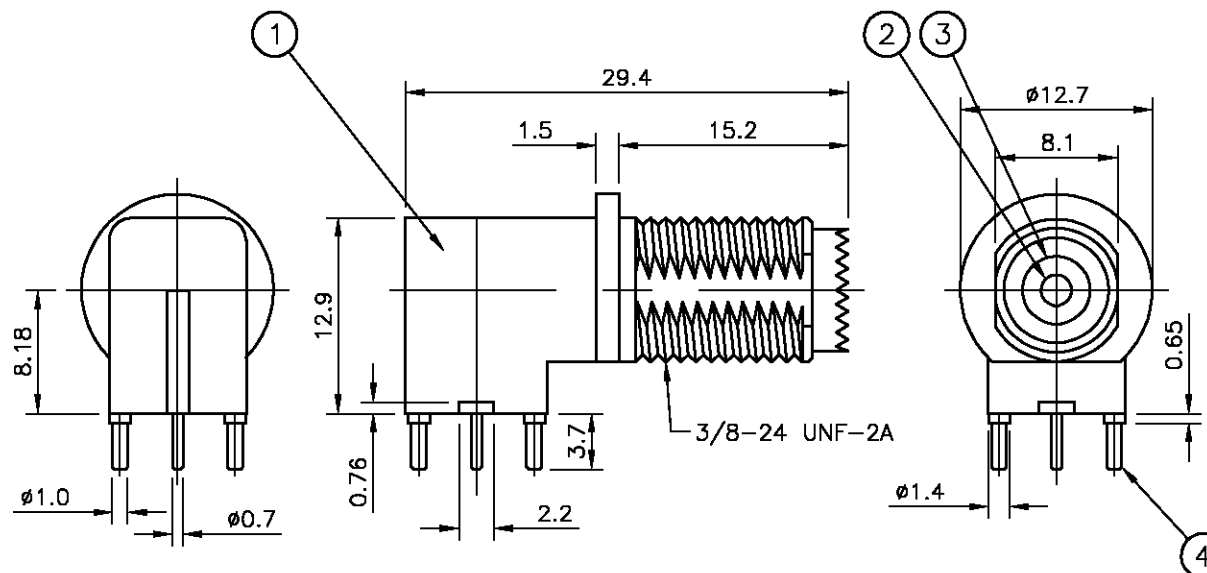
THIS DRAWING IS UNPUBLISHED. RELEASED FOR PUBLICATION JAN ,2007.

© COPYRIGHT 2007 BY TYCO ELECTRONICS CORPORATION. ALL RIGHTS RESERVED.

LOC	DIST	REVISIONS			
P	LTR	DESCRIPTION	DATE	DWN	APVD
E	B	A	FIRST ISSUE	02JAN07	JMS FWK

NOTES

- 1 SINGLE PACK IN ACCORDANCE WITH AMP SPEC 107-3275
- 2 50 TRAY PACK IN ACCORDANCE WITH AMP SPEC 107-3275
- 3 NICKEL PLATING
- 4 TIN PLATING
- 5 ELECTRICAL CHARACTERISTICS
 FREQUENCY RANGE: DC - 2 GHz
 NOMINAL IMPEDANCE: 50 Ohm
 INSULATION RESISTANCE: 5000 MOhm
 WORKING VOLTAGE: 335 Volts RMS at Sea Level
 DIELECTRIC WITHSTAND VOLTAGE: 1000 Volts RMS Max
 CONTACT RESISTANCE: 2.50 mOhm Max
 CENTRE CONTACT: 0.20 mOhm Max
 OUTER CONTACT:
- 6 MECHANICAL CHARACTERISTICS
 MOUNT NUT RECOMMENDED TORQUE: 4N
 DURABILITY: 50 Cycles Min
- 7 ENVIRONMENTAL CHARACTERISTICS
 OPERATING TEMPERATURE: -65 to +85 DegC
- 8 FOR TECHNICAL DATA REFER TO YOUR LOCAL TYCO ELECTRONICS SALES OFFICE
- 9 ALL DIMENSIONS ARE NOMINAL FOR REFERENCE ONLY UNLESS OTHERWISE STATED



QTY	UNIT	MATERIAL	DESCRIPTION	ITEM
1	1	ZINC ALLOY	MOUNTING POST	4
1	1	PE 606	INSULATOR	3
1	1	PHOSPHOS BRONZE	CONTACT	2
1	1	ZINC ALLOY	BODY	1
5	15	0	MATERIAL	DESCRIPTION

THIS DRAWING IS A CONTROLLED DOCUMENT.		DWN J.SANDWELL 02JAN07	Tyco Electronics Corporation Bideford, UK, EX39 4HE	
DIMENSIONS: MM		CHK S.PARLOW 02JAN07		
TOLERANCES UNLESS OTHERWISE SPECIFIED:		APVD F.WHEELER-KING 02JAN07	NAME M-UHF ELBOW PCB SOCKET	
0 PLC ± - 1 PLC ± - 2 PLC ± - 3 PLC ± - 4 PLC ± - ANGLES ± -		PRODUCT SPEC	SIZE A3	
MATERIAL		APPLICATION SPEC	CAGE CODE 00779	DRAWING NO C-1814820
FINISH		WEIGHT	RESTRICTED TO	
CUSTOMER DRAWING			SCALE NTS	SHEET 1 OF 1
			REV A	