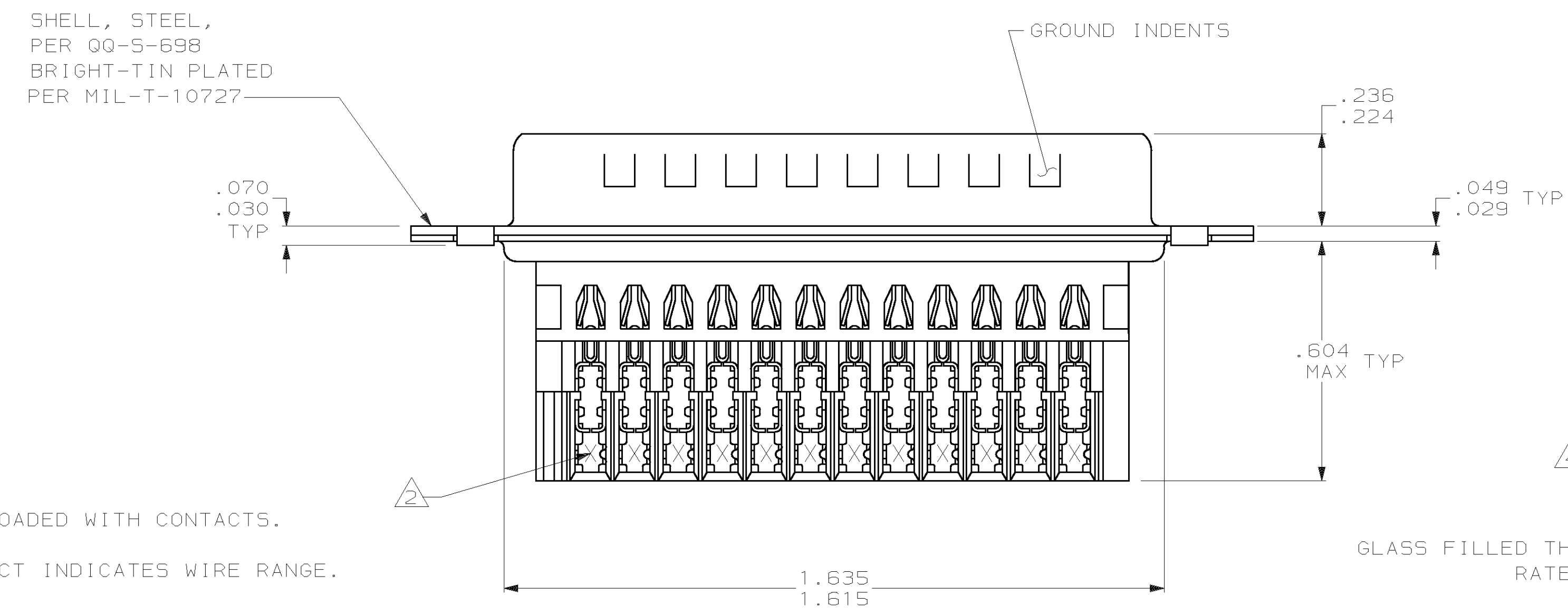
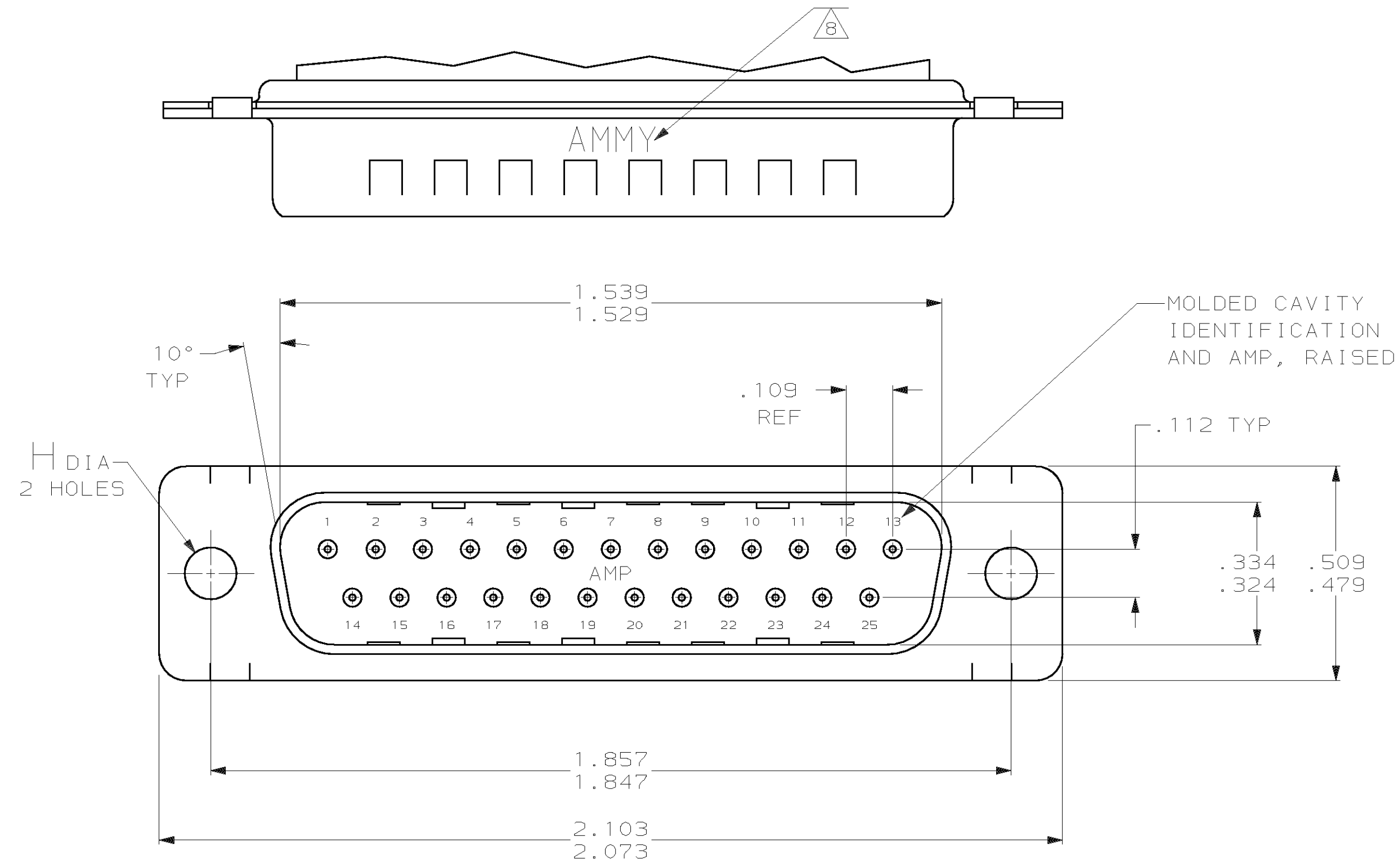


LOC		DIST		REV		REVISIONS	
GP	00	P	F	ZONE	LTR	DESCRIPTION	DATE
				L		REV PER EC 001D-0220-00	10/08/01
							JR



- ① HOUSING FULLY LOADED WITH CONTACTS.
- ② NUMBER ON CONTACT INDICATES WIRE RANGE.
- ③ CONTACT INSULATION RANGE: .060 MAXIMUM O.D.
- ④ GOLD PLATED FOR LENGTH OF .150 MIN FROM MATING END, .000030 MIN GOLD IN MATED AREA. .000100-.000200 BRIGHT TIN OR BRIGHT IN TIN-LEAD AREA SHOWN. .000050 NICKEL UNDERPLATE ON ENTIRE CONTACT.
- ⑤ GOLD PLATED FOR LENGTH OF .150 MIN FROM MATING END, GOLD FLASH IN MATED AREA. .000100-.000200 BRIGHT TIN OR BRIGHT IN TIN-LEAD AREA SHOWN. .000030 NICKEL UNDERPLATE ON ENTIRE CONTACT.
- ⑥ .000020 GOLD ON MATING END FOR .150 MIN LENGTH. .000100-.000200 BRIGHT TIN OR BRIGHT TIN-LEAD IN AREA SHOWN. .000050 NICKEL UNDERPLATE ON ENTIRE CONTACT.
- ⑦ GOLD PLATED FOR LENGTH OF .150 MIN FROM MATING END, .000050 MIN GOLD IN MATED AREA. .000100-.000200 BRIGHT TIN OR BRIGHT IN TIN-LEAD AREA SHOWN. .000050 NICKEL UNDERPLATE ON ENTIRE CONTACT.
- ⑧ SPECIAL DATE CODE IN THIS APPROXIMATE AREA. A; MM = MONTH; Y = LAST DIGIT OF YEAR.
- ⑨ OBSOLETE PART NUMBER.
- ⑩ SUPERSEDED BY 745496-5

PACKAGING	CONTACT FINISH	AWG WIRE RANGE	PART NUMBER
SMALL PACK	.125 .115	⑤	2 #22-26 ⑩ 1-745496-6
STANDARD	.125 .115	⑦	2 #22-26 1-745496-4
STANDARD	.125 .115	⑥	2 #22-26 ⑨ 1-745496-3
STANDARD	.156 .146	⑤	3 #20-22 ⑨ 1-745496-2
			2 #22-26 ⑨ 1-745496-1
			1 #26-30 ⑨ 1-745496-0
STANDARD	.156 .146	④	3 #20-22 ⑨ 745496-9
			2 #22-26 ⑨ 745496-8
			1 #26-30 ⑨ 745496-7
STANDARD	.125 .115	⑤	3 #20-22 745496-6
			2 #22-26 745496-5
			1 #26-30 745496-4
STANDARD	.125 .115	④	3 #20-22 745496-3
			2 #22-26 745496-2
			1 #26-30 745496-1

DO NOT SCALE PRINT. UNLESS SPECIFIED DIMENSIONS IN MILLIMETERS TOLERANCES ON:

DR 3/26/90 A. STAUB BG	AMP INCORPORATED Harrisburg, Pa. 17105
CHK 4-12-90 H. MOLL	
APPD 4-17-90 J. WESTMAN	NAME PLUG ASSY, METAL SHELL, SIZE 3, 25 POSN, SERIES HDE-20 FOR MASS TERMINATION
APPD 4-17-90 J. ASSINI	
PRODUCT SPEC 108-40011	SIZE D 00779 DRAWING NO 745496
APPLICATION SPEC 114-40002	
FINISH SEE TABLE	SCALE 4:1
WEIGHT	SHEET 1 OF 1