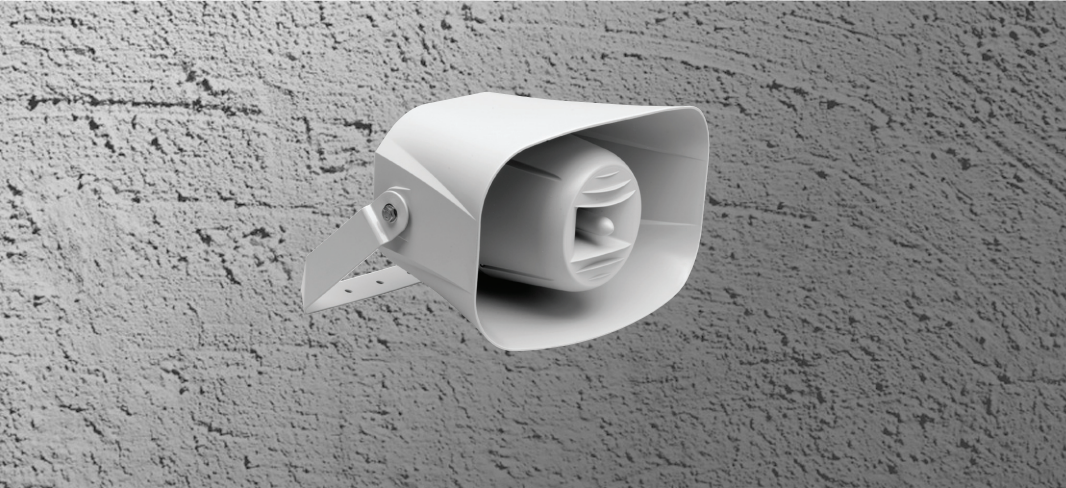


LBC 3700/00 Horn Loudspeaker



Security Systems



- High quality music horn for excellent speech and music reproduction
- Two-way system
- High sensitivity
- Wide opening angle
- Simple power setting
- Water and dust protected to IP 65
- Attractive ABS housing
- Complies with international installation and safety regulations

The Bosch LBC 3700/00 Horn Loudspeaker features an extended frequency range and high sensitivity which makes it ideal for high quality speech and music reproduction. The wide opening angle ensures even sound distribution, so fewer horns are needed to cover a given area.

Functions

The rectangular horn features a unique combination of a re-entrant horn with two transducers, one for low- and the other for high frequencies, resulting in breathtaking sound clarity. The horn is weather protected and can be used in areas with high humidity. It is therefore suitable for outdoor applications such as swimming pools, sports stadiums, leisure parks, cruise ships, schools and train stations, as well as for indoor public address. Finished in light grey RAL 7035 color, the ABS horn is both stylish and lightweight.

Parts Included

Quantity	Component
1	LBC 3700/00 Horn Loudspeaker

Certifications and Approvals

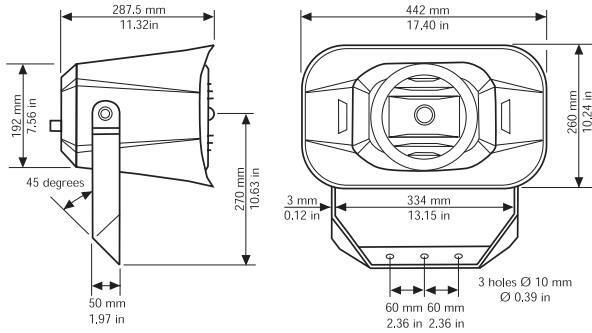
All Bosch loudspeakers are designed to withstand operating at their rated power for 100 hours in accordance with IEC 268-5 Power Handling Capacity (PHC) standards. Bosch has also developed the Simulated Acoustical Feedback Exposure (SAFE) test to demonstrate that they can withstand two times their rated power for short durations. This ensures extra reliability under extreme conditions, leading to higher customer satisfaction, longer operating life, and much less chance of failure or performance deterioration.

Safety	EN 60065
Self-Extinguishing ABS	acc. to class UL 94V0
Water and Dust Protected	acc. to IEC 60529 IP 65

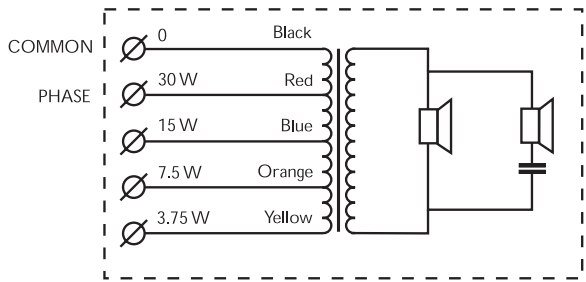
Installation/Configuration Notes

The 100 V horn loudspeaker includes a transformer with taps on the primary winding for different power settings. Nominal full-power, half-power, quarter-power or eight-power radiation (i.e. in 3 dB steps) can easily be selected by connected the 100 V line to the appropriate tap.

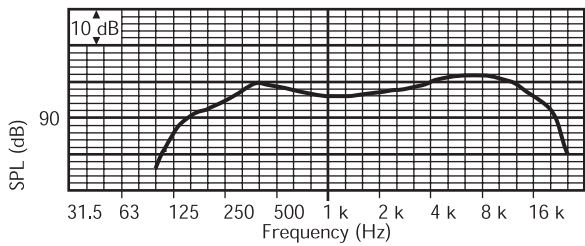
The horn loudspeaker is supplied with a sturdy aluminum (corrosion resistant) mounting bracket allowing the sound beam to be accurately directed.



Dimensions (in mm/inches)



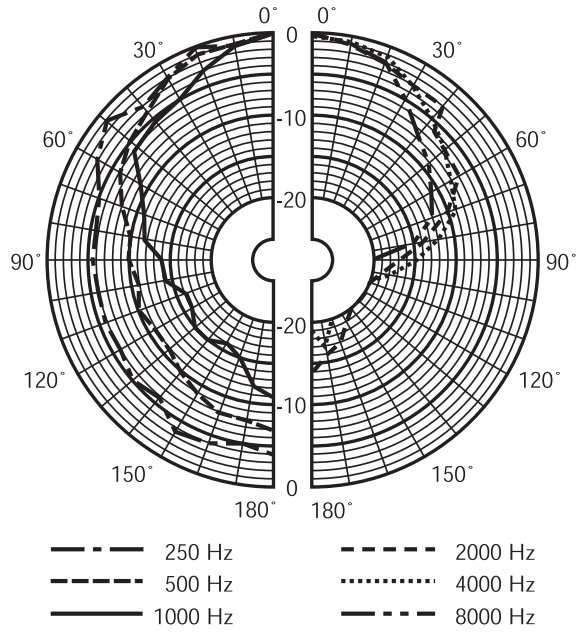
Circuit diagram



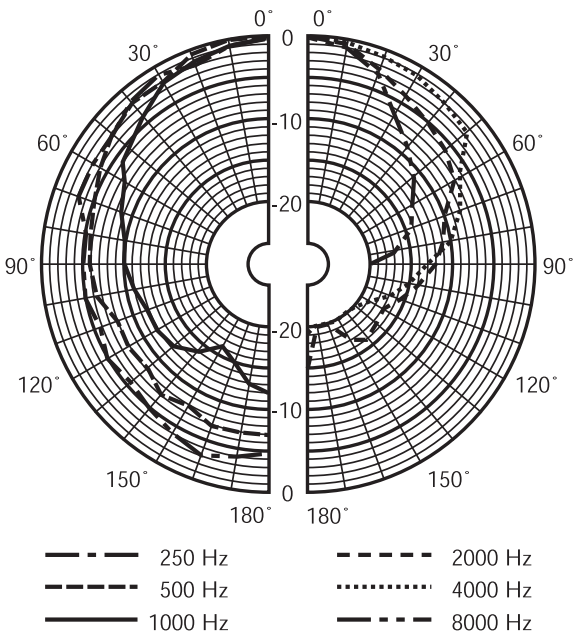
Frequency response

Octave band (Hz)	125	250	500	1k	2k	4k	8k
SPL 1.1	88	97	97	97	98	100	102
SPL max.	103	112	112	112	113	115	117
Q-factor	1.4	2.2	3.7	7.1	8.5	7.4	16.2
Efficiency	0.6	2.8	1.7	0.9	0.9	1.7	1.2
Hor. angle	360	360	120	105	85	90	65
Vert. angle	360	360	200	110	100	125	55

Quick reference table



Polar diagram horizontal (measured with pink noise)



Polar diagram vertical (measured with pink noise)

Technical Specifications**Electrical***

Maximum Power	45 W
Rated Power (PHC)	30 W (30 - 15 - 7.5 - 3.75 W)
Sound Pressure Level at 30 W/1 W (at 1 kHz, 1 m)	112 dB / 97 dB (SPL)
Effective Frequency Range (-10 dB)	125 Hz to 20 kHz
Opening Angle (at 1 kHz/4 kHz, -6 dB)	
Horizontal	105° / 90°
Vertical	110° / 125°
Rated Voltage	100 V
Rated Impedance	333 ohm

Mechanical

Connection	screw terminal block
Cable Diameter	min. 6 mm, max 8 mm
Dimensions (h x w x d)	260 x 442 x 287.5 mm (10.2 x 17.4 x 11.3 in)
Color	Light grey (RAL 7035)
Weight	5 kg (11 lbs)

Environmental

Ambient Temperature	-25°C to +55 °C
---------------------	-----------------

Ordering Information**Model & Description**

LBC 3700/00 Horn Loudspeaker
LBC 1256/00 EVAC Connection Adapter
3-pole screw connector

*) Technical performance data acc. to IEC 60268-5

Americas:

Bosch Security Systems
130 Perinton Parkway
Fairport, New York, 14450, USA
Phone:+1 (0) 585 223 4060
Fax:+1 (0) 585 223 9180
security.sales@us.bosch.com
<http://www.boschsecurity.us>

Europe, Middle East, Africa:

Bosch Security Systems B.V.
P.O. Box 80002
5600 JB Eindhoven, The Netherlands
Phone:+31 (0) 40 27 83955
Fax:+31 (0) 40 27 86668
emea.securitysystems@bosch.com
<http://www.boschsecurity.com>

Asia-Pacific:

Bosch Security Systems Pte Ltd
38C Jalan Pemimpin
Singapore 577180
Phone:+65 6319 3450
Fax:+65 6319 3499
apr.securitysystems@bosch.com
<http://www.boschsecurity.com>

BOSCH