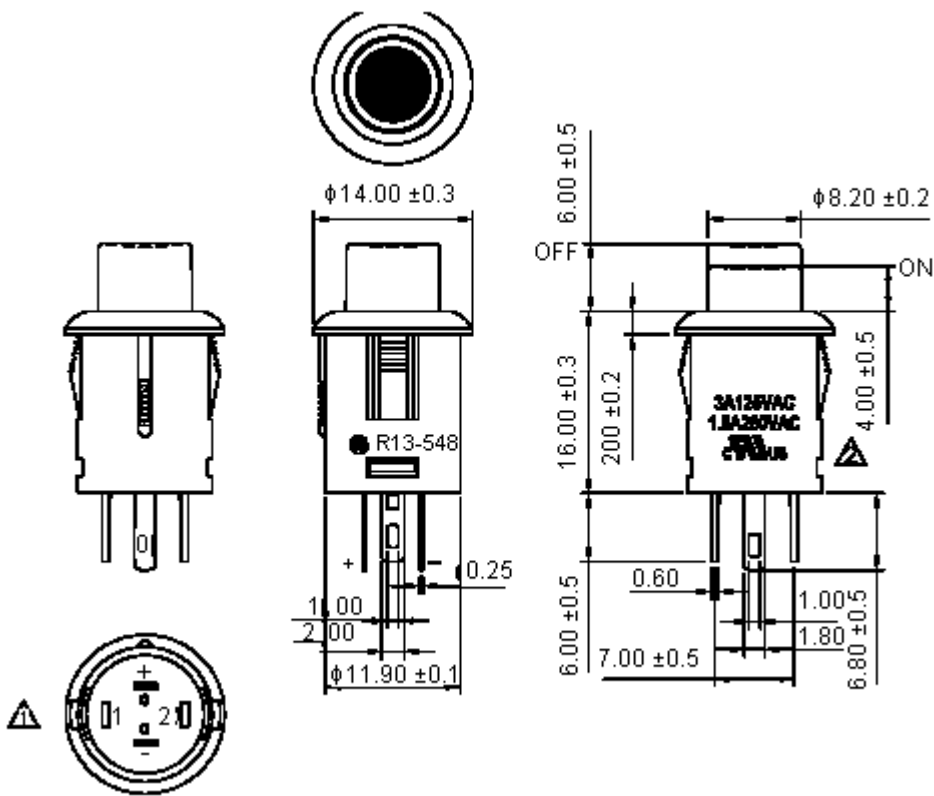
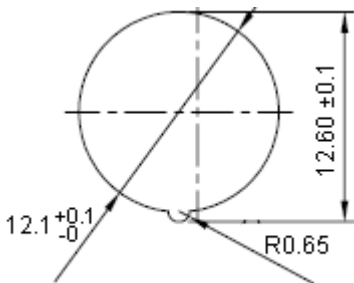


Pushbutton Switches



Dimensions : Millimetres

Mounting Hole



Thickness = 0.7 to 3.0

Dimensions : Millimetres

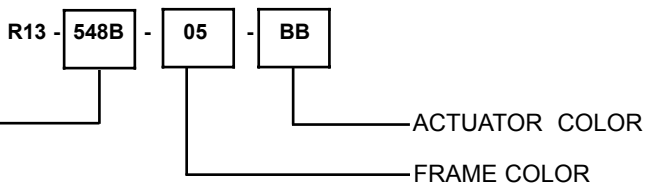
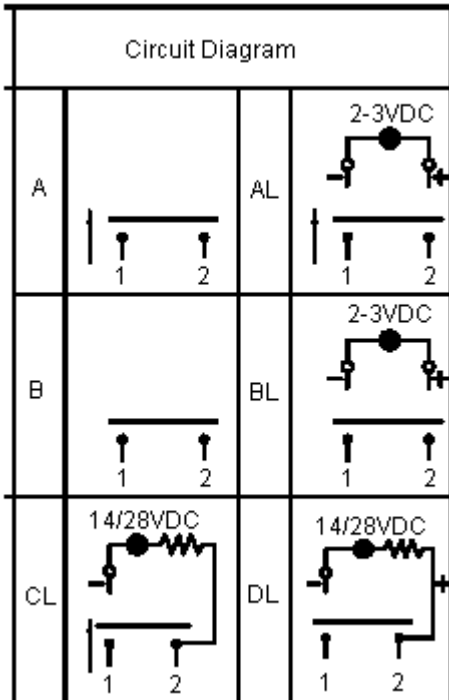
<http://www.farnell.com>
<http://www.newark.com>
<http://www.cpc.co.uk>



Pushbutton Switches



Circuit Diagram



Functions

A	2P SPST (On)-Off
AL	4P SPST (On)-Off (LED)
B	2P SPST On-Off
BL	4P SPST ON-Off (LED)
CL	3P SPST (On)-Off (LED)
DL	3P SPST On-Off (LED)

Specifications:

Rating	: 3A 125V, 1.5A 250V ac for A/B/AI/BL : 6A, 14V dc, 3A 28V dc of A/B/CL/DL
Maximum contact resistance	: 50mΩ.
Minimum insulation resistance	: 500V dc 100MΩ.
Dielectric strength	: 1000V ac 1 minute.
Operating temperature	: -0°C to 65°C.

Pushbutton Switches



Part Number Table

Description	Part Number
Switch, Push Button, SPST	R13-548B-05-BB
Switch, Push Button, SPST, Red	R13-548DL-05-BR
Switch, Push Button, SPST, Green	R13-548DL-05-BG
Switch, Push Button, SPST, MOM	R13-548A-05-BB
Switch, Push Button, SPST, MOM, Red	R13-548CL-05-BR
Switch, Push Button, SPST, MOM, Green	R13-548CL-05-BG

Disclaimer This data sheet and its contents (the "Information") belong to the Premier Farnell Group (the "Group") or are licensed to it. No licence is granted for the use of it other than for information purposes in connection with the products to which it relates. No licence of any intellectual property rights is granted. The Information is subject to change without notice and replaces all data sheets previously supplied. The Information supplied is believed to be accurate but the Group assumes no responsibility for its accuracy or completeness, any error in or omission from it or for any use made of it. Users of this data sheet should check for themselves the Information and the suitability of the products for their purpose and not make any assumptions based on information included or omitted. Liability for loss or damage resulting from any reliance on the Information or use of it (including liability resulting from negligence or where the Group was aware of the possibility of such loss or damage arising) is excluded. This will not operate to limit or restrict the Group's liability for death or personal injury resulting from its negligence. SPC Multicomp is the registered trademark of the Group. © Premier Farnell plc 2010.

<http://www.farnell.com>
<http://www.newark.com>
<http://www.cpc.co.uk>

