

PENTA-5-M lens for Sharp GM2BB... (Double Dome) LEDs



- Lens material optical grade PMMA with high UV and temperature resistance (105°C/220°F)
- High optical efficiency, >85%
- No lens holder. Snap-fitting of the lens to customer's heat sink. Please contact us for detailed mounting information
- Diameter 35.6 mm (MR11)



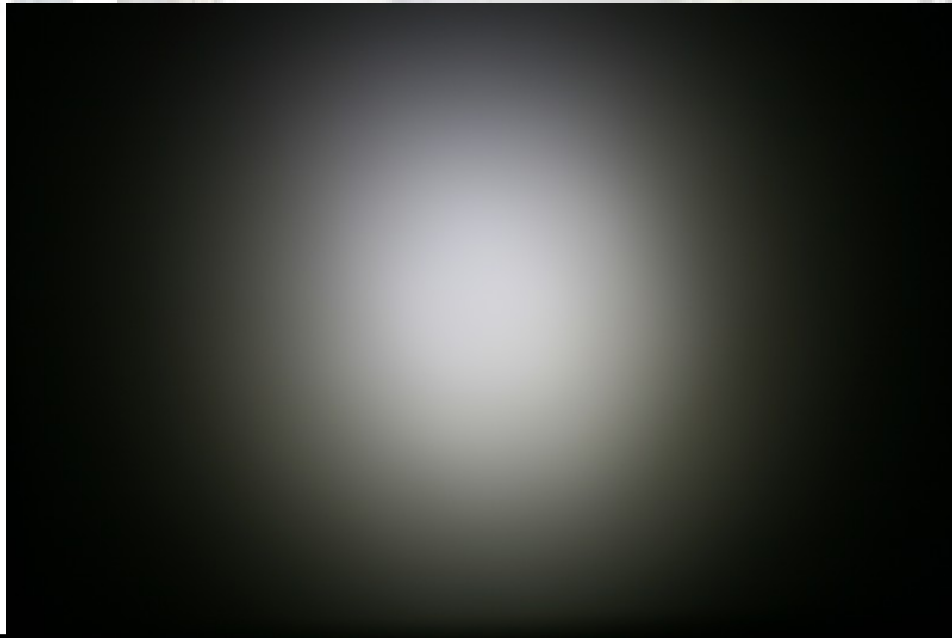
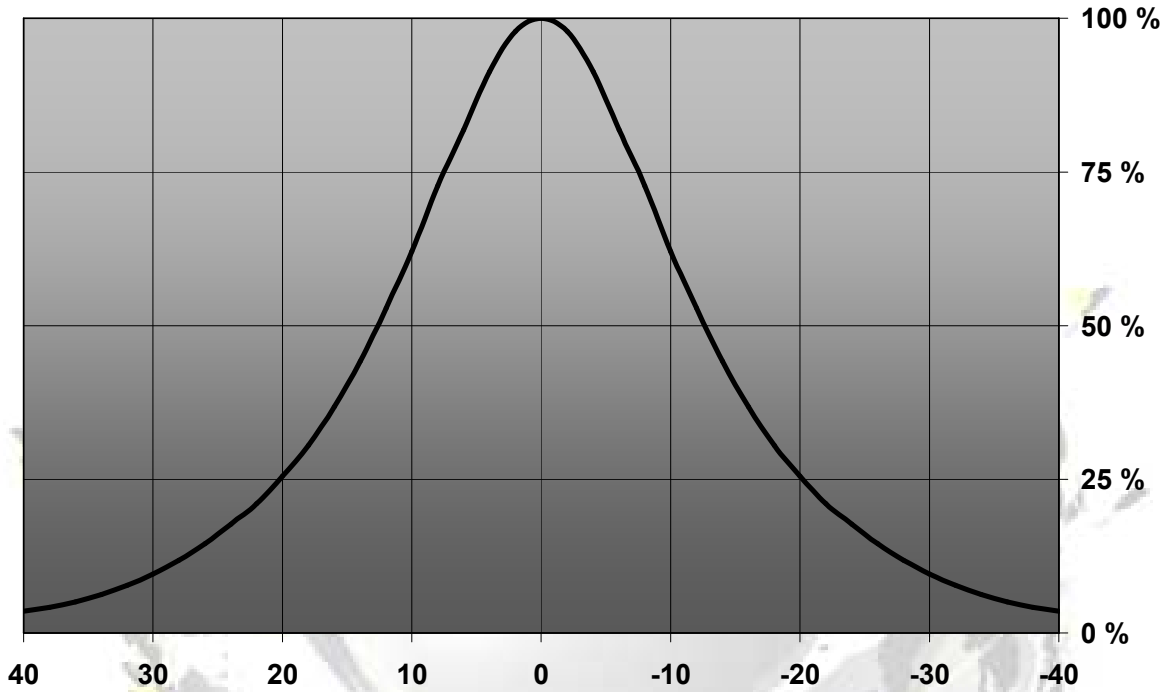
SHARP.

LENS TYPES

NAME	ORDERING CODE	FWHM Angle
PENTA-5 Medium High	F10390_PENTA-5-M-High-DD	±12°

MEASUREMENT DATA & PHOTOGRAPHS

Relative Intensity of F10390_PENTA-5-M-DD



© Ledil Oy – PRELIMINARY - Subject to change without prior notice

DRAWING

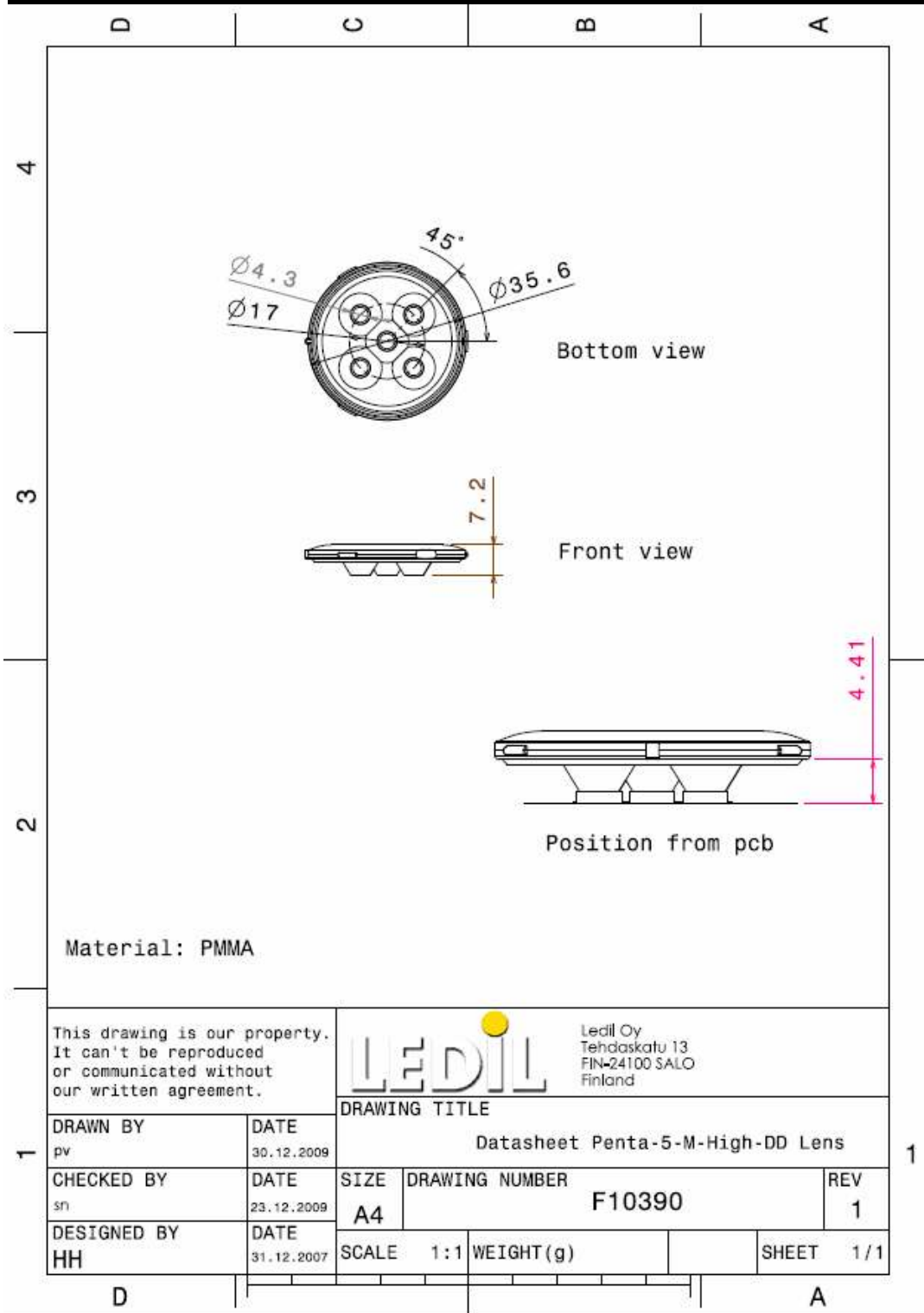


© Ledil Oy – PRELIMINARY - Subject to change without prior notice

Ledil Oy
Tehdaskatu 13
FIN-24100 SALO, Finland

www.ledil.com
email: ledil@ledil.com
FAX: +358-2-733 8001

2009-12-31



© Ledil Oy - PRELIMINARY - Subject to change without prior notice