

## STRADA-S-XP LENSES FOR CREE XP-E LEDs



- Specially designed for Cree XP-E series of LEDs.
- New extremely wide SIDE-EMITTING design.
- Comes with integrated positioning pins.
- Lens material optical grade PMMA. Allows use of high current and temperature conditions
- Best available optical efficiency, approximately 92%.
- Fastening to heat sink with or without PU foam adhesive tape of automotive grade, please select which suits the best for your needs.

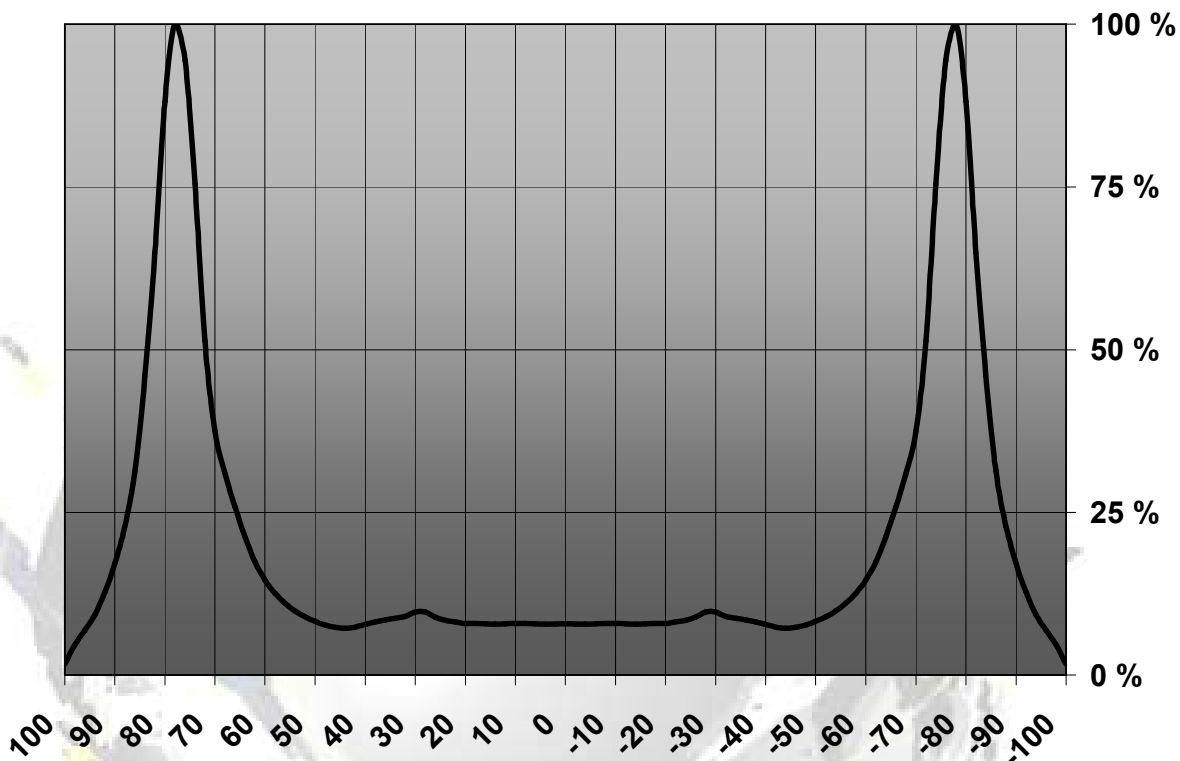
### LENS TYPES

NAME	ORDERING CODE	FWHM Angle
Strada-S-XP	C11249_Strada-S-XP	±72° & ±84°
Strada-S-XP-TAPE	CA11248_Strada-S-XP-tape	±72° & ±84°

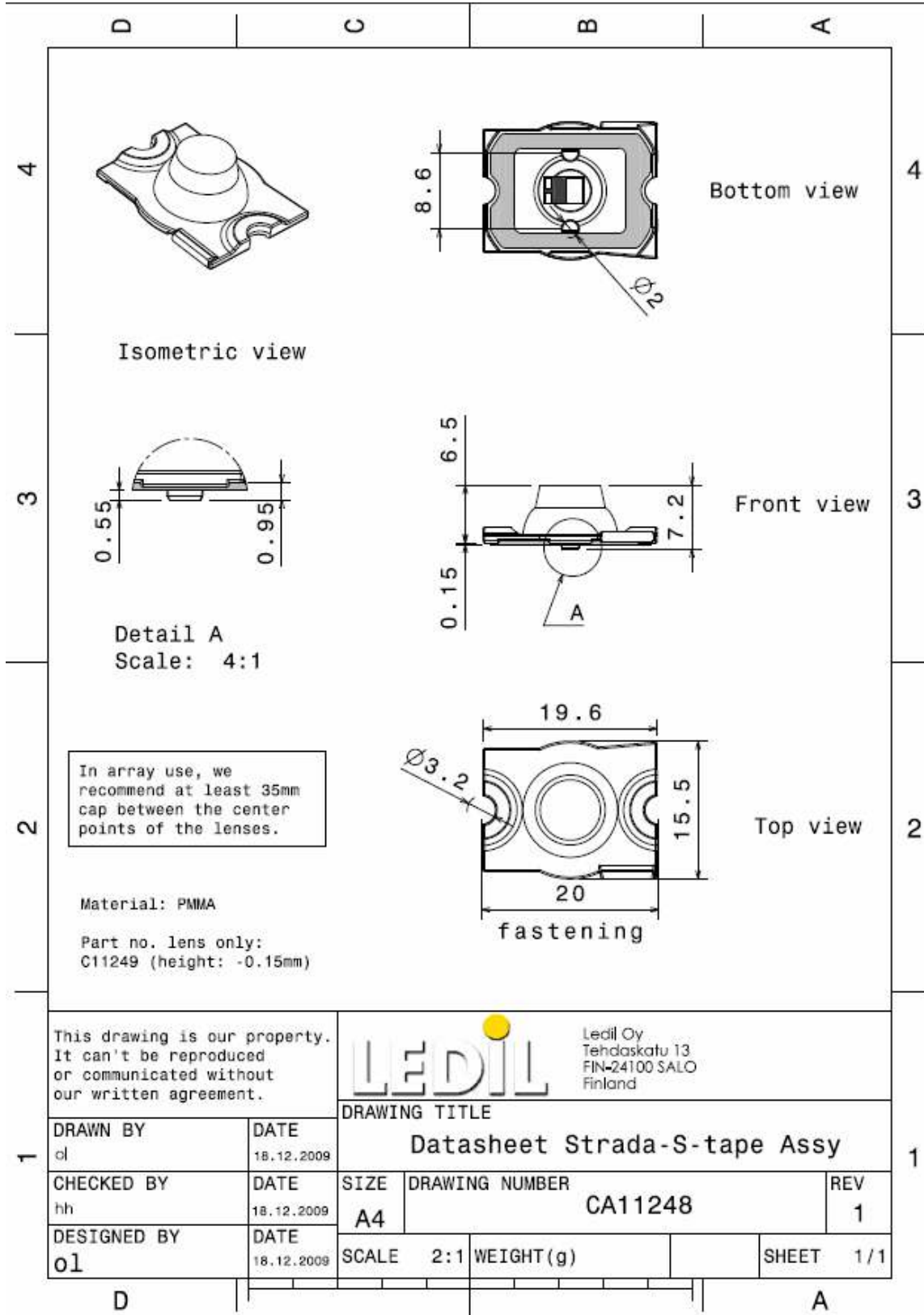
© Ledil Oy – PRELIMINARY - Subject to change without prior notice

## MEASUREMENT DATA & DRAWING

Relative Intensity of C11249\_Strada-S-XP



© Ledil Oy – PRELIMINARY - Subject to change without prior notice



© Ledil Oy – PRELIMINARY - Subject to change without prior notice