

IE-PS-RJ45-FH-BK

Weidmüller Interface GmbH & Co. KG

Klingenbergstraße 16

D-32758 Detmold

Germany

Fon: +49 5231 14-0

Fax: +49 5231 14-2083

www.weidmueller.com



Weidmüller can supply AWG 22 plugs for customising in the field to enable simple connections without crimping tools, but also AWG 24 plugs for crimping.

Features:

- IP 20
- Cat.6A
- 360° shield contact
- antikink bushings or strain relief fittings can be retrofitted

General ordering data

Order No.	1963600000
Part designation	IE-PS-RJ45-FH-BK
Version	RJ45 plug, no tools required, Plug EIA / TIA 568 A/B/PROFINET, Cat.6A / Class E _A (IEC 11801 PDAM Am 1.2 2007)
EAN	4032248645725
Qty.	10 pc(s).

IE-PS-RJ45-FH-BK

Weidmüller Interface GmbH & Co. KG

Klingenbergstraße 16

D-32758 Detmold

Germany

Fon: +49 5231 14-0

Fax: +49 5231 14-2083

www.weidmueller.com

Technical data

temperature

Ambient temperature (operational) -40°C - +70°C

Connection elements

Version	Plug	Connection 1	RJ45
Connection 2		Configuration	Eight-wire field-assembled RJ45 plug with colour coding on the plug, TIA A/B/ProfiNet, multiport-ready
	IDC		
Protection class	IP 20	Housing main material	Diecast zinc
Category	Cat.6A / Class E _A (IEC 11801 PDAM Am 1.2 2007)	Shielding	360° all-round enclosure
Wiring	EIA/TIA 568 A EIA/TIA 568 B PROFINET	Solid, min.	0.4 mm
Solid, max.	0.64 mm	Strand diameter, flexible, min. (AWG)	AWG 26
Strand diameter, flexible, max. (AWG)	AWG 22	Insulation cross-section, max.	1.6 mm
Sheath diameter , min.	5.5 mm	Sheath diameter , max.	8.5 mm
MICE classification M	M ₃	MICE classification I	I ₁
MICE classification C	C ₁	MICE classification E	E ₃
Plugging cycles	750 plugging cycles for plugs to IEC 60603-7		

Downloads

Attestation of conformity ISO/IEC EN & TIA/ EIA Screened Class EA Category 6A, 4 connector channel	z1755b-07-E.pdf	GOST Approval	POCC DE.ME25.B01411.pdf
PROFINET Manufacturer's Declaration	PN Manufacturer Declaration.pdf	UL Approval	E316369BTR_01.pdf

Approvals

Approvals institutes CULUS

Classifications

eClass 5.1 27-26-07-08 eClass 6.0 27-25-05-04

standards

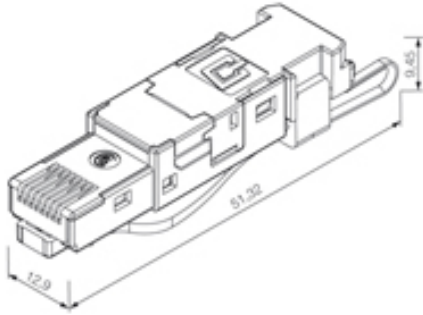
Generic communication cable facilities	ANSI / TIA / EIA-568-B.2-10 DIN EN 61918, draft 02.2007 ISO / IEC 11801:2002 ISO / IEC 24702:2006	Application-specific communication cable facilities	PROFINET Installation Guide
IP protection classes	IEC 60529	Connector standard	IEC 60603-7-5
UL standard for communication accessories	UL 1863		

Datasheet

IE-PS-RJ45-FH-BK

Weidmüller Interface GmbH & Co. KG
Klingenbergstraße 16
D-32758 Detmold
Germany
Fon: +49 5231 14-0
Fax: +49 5231 14-2083
www.weidmueller.com

Drawings



IE-PS-RJ45-FH-BK

Weidmüller Interface GmbH & Co. KG
 Klingenbergstraße 16
 D-32758 Detmold
 Germany
 Fon: +49 5231 14-0
 Fax: +49 5231 14-2083
 www.weidmueller.com

Accessories

Colour coding rings



for identifying your plugs in variants 01 and 04
 Features:
 • 6 different colours

General ordering data

Order No.	Part designation	Version	EAN	Qty.
1963080000	IE-CR-IP20-RJ45-FH-BU	Strain relief, blue	4032248645268	10 pc(s).
1963100000	IE-CR-IP20-RJ45-FH-GN	Strain relief, green	4032248645282	10 pc(s).
1963090000	IE-CR-IP20-RJ45-FH-YE	Strain relief, yellow	4032248645275	10 pc(s).
1963060000	IE-CR-IP20-RJ45-FH-GY	Strain relief, grey	4032248645244	10 pc(s).
1963070000	IE-CR-IP20-RJ45-FH-OG	Strain relief, orange	4032248645251	10 pc(s).
1963050000	IE-CR-IP20-RJ45-FH-WH	Strain relief, white	4032248645237	10 pc(s).