

LTM2882

Dual Isolated RS232 μ Module Transceiver with Integrated DC/DC Converter

DESCRIPTION

Demonstration circuit DC1554A is a dual isolated RS232 μ Module[®] transceiver with integrated power featuring the LTM[®]2882. The demo circuit provides 2-channel, 2500V_{RMS}, galvanically isolated RS232 transceiver interface. All components are integrated into the μ Module transceiver. The demo circuit operates from external supplies on V_{CC} and V_L . The part generates the output

voltage V_{CC2} and communicates all necessary signaling across the isolation barrier using LTC's Isolation μ Module Technology.

Design files for this circuit board are available at <http://www.linear.com/demo>.

LT, LT, LTC, LTM, μ Module, Linear Technology and the Linear logo are registered trademarks of Linear Technology Corporation. All other trademarks are the property of their respective owners.

Table 1. Performance Summary ($T_A = 25^\circ\text{C}$)

SYMBOL	PARAMETER	CONDITIONS	MIN	TYP	MAX	UNITS
V_{CC}	Input Supply Range	LTM2882-5	4.5	5	5.5	V
		LTM2882-3	3.0	3	3.6	V
V_L	Logic Signal Supply Range		1.62		5.5	V
V_{CC2}	Output Voltage	LTM2882-5 $I_{LOAD} = 150\text{mA}$	4.8	5	5.2	V
		LTM2882-3 $I_{LOAD} = 100\text{mA}$	4.8	5	5.2	V
f_{MAX}	Maximum Data Rate	$R_L = 3\text{k}, C_L = 2.5\text{nF}$	100			kbps
		$R_L = 3\text{k}, C_L = 1\text{nF}$	250			kbps
		$R_L = 3\text{k}, C_L = 250\text{pF}$	1000			kbps
V_{IORM}	Maximum Working Insulation Voltage	GND to GND2	560			Vpk
	Common Mode Transient Immunity		30			kV/ μs

OPERATING PRINCIPLES

The LTM2882 contains an isolated DC/DC converter delivering power to V_{CC2} at 5V from the input supply V_{CC} . Isolation is maintained by the separation of GND and GND2 where significant operating voltages and transients can exist without affecting the operation of the LTM2882. The logic side ON pin enables or shuts down the LTM2882. RS232 signaling is controlled by the logic inputs T1IN, T2IN, and DE. Connection to the transceiver pins, R1IN – T1OUT or R2IN – T2OUT, permits RS232 communication on the isolated side of the demo circuit. The circuit features two channels, supporting multiple RS232 channels or the addition of flow control on a single RS232 interface. Jumpers and inclusion of a standard RS232

configured DB9 connector allow the RS232 Transceiver interface to be looped back for easy performance verification using a PC. Additional logic signaling from the logic side to the isolated side is available with the DIN to DOUT pins. This channel may be used to control the state of the driver outputs from the logic side, T1OUT and T2OUT, by connecting DOUT to DE.

Data is transmitted out the driver pins T1OUT and T2OUT from the inputs T1IN and T2IN with the input DE set high. Data is received through the receiver pins R1IN and R2IN to the outputs R1OUT and R2OUT, receivers are always active.

QUICK START PROCEDURE

Demonstration circuit DC1554 is easy to set up and evaluate the performance of the LTM2882. Refer to Figure 1 for proper measurement equipment setup and follow the procedure below.

Note: Use a short ground lead on the oscilloscope probe when measuring input or output voltage ripple and high speed signals.

Note: Jumpers JP4, JP5, JP8, JP9 and JP10 may be installed in three possible positions depending upon the desired operating state. Positions may be vertical or horizontal. Please pay careful attention to the demo circuit labeling and reference the attached schematic for proper configuration.

1. Place jumpers in the following positions.

- JP1 ON (default)
- JP2 V_{CC} (note: logic signals referenced to V_{CC})
- JP3 ON (default)
- JP4 LOOP (center horizontal position)
- JP5 LOOP (center horizontal position)
- JP6 LOW (default)
- JP7 ON (default)
- JP8 ON (default)
- JP9 Remove
- JP10 Remove

2. With power off, connect the input power supply to V_{CC} and GND.

3. Turn on the power at the input.

Note: Make sure the input voltage does not exceed 6V.

4. Check for the proper output voltages. $V_{CC2} = 5V$, LED D1 is ON and LED D2 is ON.

5. Once the proper output voltages are established, connect a standard 9-pin RS232 cable between J1 on the demo board and a computer.

6. Launch any program with the ability to send, receive, and monitor RS232 characters or data, including the ability to control the communication handshaking. Realterm is a free, powerful, terminal program which can easily be used for the above purposes. Signals may be verified with the use of an oscilloscope connected to any of the appropriate signal turrets on the demo card.

Note: Jumpers JP9 and JP10 must be inserted in the center horizontal position to allow signal monitoring of the receiver input channels on the associated demo board turrets.

QUICK START PROCEDURE

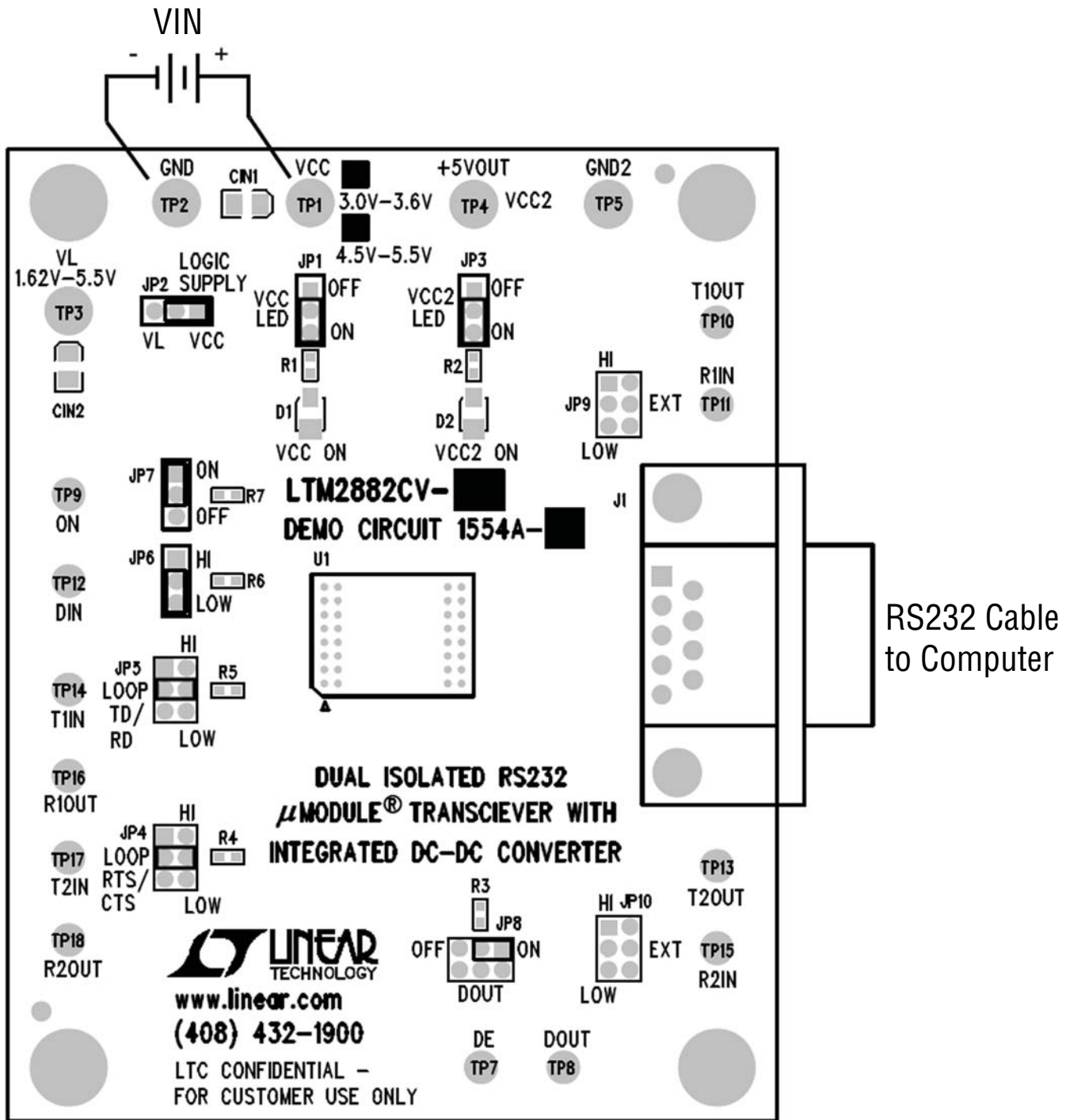


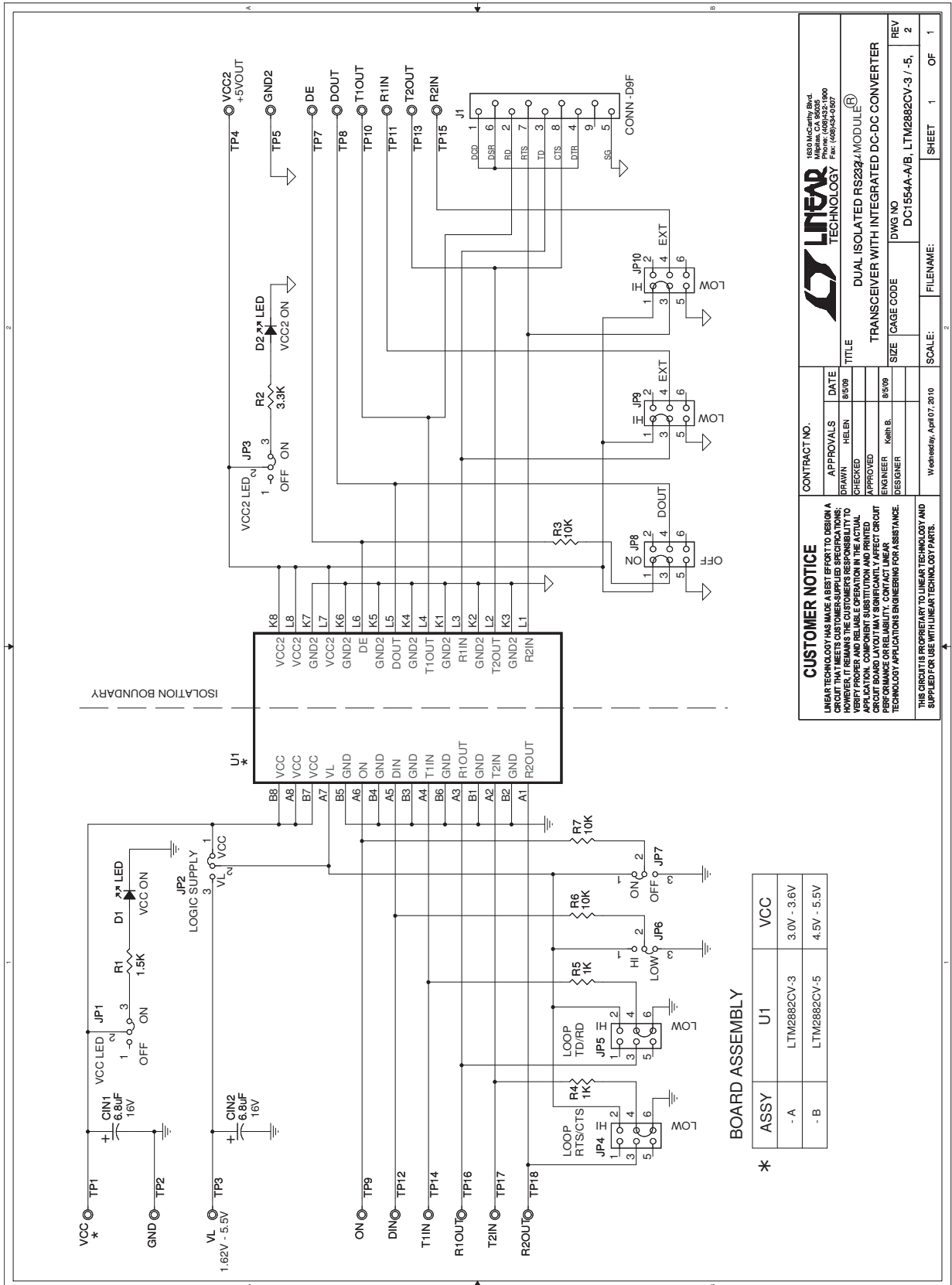
Figure 1. Demo Board Setup

DEMO MANUAL DC1554A

PARTS LIST

ITEM	QTY	REFERENCE	PART DESCRIPTION	MANUFACTURER/PART NUMBER
REQUIRED CIRCUIT COMPONENTS				
1	2	CIN1, CIN2	CAP, TANT 6.8 μ F 16V 10% TAJA	AVX TAJA685K016R
2	2	D1, D2	LED, SMT, GREEN, 2.1V 15mA	PANASONIC LN1351C-(TR)
3	1	R1	RES., CHIP 1.5k 1/16W 5% 0603	VISHAY, CRCW06031K50JNEA
4	3	R3, R6, R7	RES., CHIP 10k 1/4W 5% 0603	VISHAY, CRCW060310K0JNEA
5	1	R2	RES., CHIP 3.3k 1/16W 5% 0603	VISHAY, CRCW06033K30JNEA
6	2	R4, R5	RES., CHIP 1k 1/4W 5% 0603	VISHAY, CRCW06031K00JNEA
HARDWARE-FOR DEMO BOARD ONLY				
1	1	J1	CON, DSUB 9 PIN	SINGATRON DR-E9SB-NJ000-S0007
2	5	JP1-JP3, JP6,JP7	2mm SINGLE ROW HEADER, 3-PIN	SAMTEC, TMM-103-02-L-S
3	6	JP4, JP5, JP8-JP10	2mm DOUBLE ROW HEADER, 3 \times 2 PIN	SAMTEC, TMM-103-02-L-D
4	10	JP1-JP10	SHUNT	SAMTEC, 2SN-BK-G
5	5	TP1-TP5	TEST POINT, TURRET, 0.095	MILL-MAX, 2501-2-00-80-00-00-07-0
6	12	TP7-TP18	TEST POINT, TURRET, 0.065	MILL-MAX, 2308-2-00-80-00-00-07-0
7	4	(Stand-Off)	STAND-OFF, NYLON 0.375" tall	KEYSTONE, 8832 (SNAP ON)

SCHEMATIC DIAGRAM



CUSTOMER NOTICE

LINEAR TECHNOLOGY HAS MADE A BEST EFFORT TO DESIGN A BOARD LAYOUT THAT WILL BE FUNCTIONAL AND RELIABLE. HOWEVER, IT REMAINS THE CUSTOMER'S RESPONSIBILITY TO VERIFY PROPER AND RELIABLE OPERATION IN THE ACTUAL APPLICATION. COMPONENT SUBSTITUTION AND PRINTED CIRCUIT BOARD LAYOUT THAT SIGNIFICANTLY AFFECTS CIRCUIT PERFORMANCE ARE NOT SUPPORTED. LINEAR TECHNOLOGY APPLICATIONS ENGINEERING FOR ASSISTANCE.

THIS CIRCUIT IS PROPRIETARY TO LINEAR TECHNOLOGY AND SUPPLIED FOR USE WITH LINEAR TECHNOLOGY PARTS.

CONTRACT NO.: _____

APPROVALS: _____

DATE: 8/5/09

DRAWN: HELEN

CHECKED: _____

APPROVED: _____

ENGINEER: (600) B.

DESIGNER: _____

TITLE: DUAL ISOLATED RS232 MODULE

SIZE: _____

CAGE CODE: _____

DWG NO.: DC1554A-A/B, LTM2882CV-3 / -5,

REV: 2

SCALE: _____

FILENAME: _____

SHEET: 1 OF 1

DEMO MANUAL DC1554A

DEMONSTRATION BOARD IMPORTANT NOTICE

Linear Technology Corporation (LTC) provides the enclosed product(s) under the following **AS IS** conditions:

This demonstration board (DEMO BOARD) kit being sold or provided by Linear Technology is intended for use for **ENGINEERING DEVELOPMENT OR EVALUATION PURPOSES ONLY** and is not provided by LTC for commercial use. As such, the DEMO BOARD herein may not be complete in terms of required design-, marketing-, and/or manufacturing-related protective considerations, including but not limited to product safety measures typically found in finished commercial goods. As a prototype, this product does not fall within the scope of the European Union directive on electromagnetic compatibility and therefore may or may not meet the technical requirements of the directive, or other regulations.

If this evaluation kit does not meet the specifications recited in the DEMO BOARD manual the kit may be returned within 30 days from the date of delivery for a full refund. **THE FOREGOING WARRANTY IS THE EXCLUSIVE WARRANTY MADE BY THE SELLER TO BUYER AND IS IN LIEU OF ALL OTHER WARRANTIES, EXPRESSED, IMPLIED, OR STATUTORY, INCLUDING ANY WARRANTY OF MERCHANTABILITY OR FITNESS FOR ANY PARTICULAR PURPOSE. EXCEPT TO THE EXTENT OF THIS INDEMNITY, NEITHER PARTY SHALL BE LIABLE TO THE OTHER FOR ANY INDIRECT, SPECIAL, INCIDENTAL, OR CONSEQUENTIAL DAMAGES.**

The user assumes all responsibility and liability for proper and safe handling of the goods. Further, the user releases LTC from all claims arising from the handling or use of the goods. Due to the open construction of the product, it is the user's responsibility to take any and all appropriate precautions with regard to electrostatic discharge. Also be aware that the products herein may not be regulatory compliant or agency certified (FCC, UL, CE, etc.).

No License is granted under any patent right or other intellectual property whatsoever. **LTC assumes no liability for applications assistance, customer product design, software performance, or infringement of patents or any other intellectual property rights of any kind.**

LTC currently services a variety of customers for products around the world, and therefore this transaction **is not exclusive**.

Please read the DEMO BOARD manual prior to handling the product. Persons handling this product must have electronics training and observe good laboratory practice standards. **Common sense is encouraged.**

This notice contains important safety information about temperatures and voltages. For further safety concerns, please contact a LTC application engineer.

Mailing Address:

Linear Technology
1630 McCarthy Blvd.
Milpitas, CA 95035

Copyright © 2004, Linear Technology Corporation