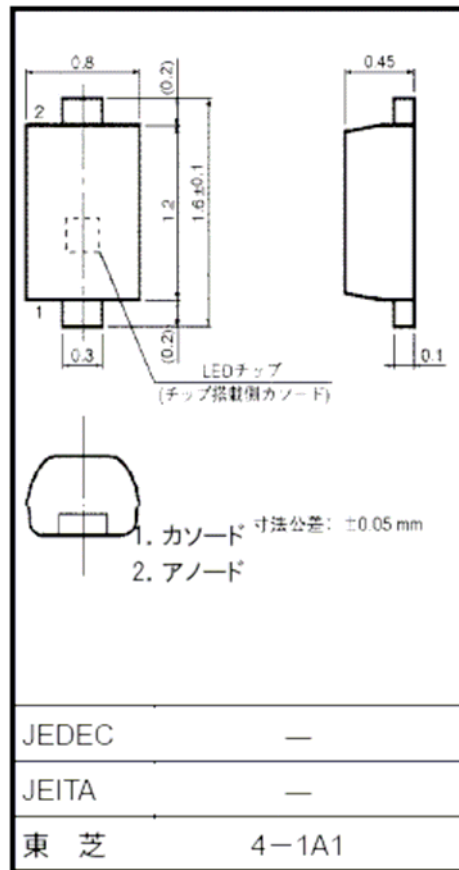


Properties		
Property	Value	Condition
Part Number	TLPGV1022(T14,F)	
Product Category	Surface-Mount LED Lamps(1608)	
Emitting Color	pure green	
Luminous Intensity @ $I_F=5mA$, typ	3.5 mcd	
Viewing angle 2 θ 1/2, typ	140 deg	
Package (mm)	1.6(L) \times 0.8(W) \times 0.45(H) ESC type	
Taping Type	embossed taping, Taping No:T14, 4 mm pitch, 4000pcs/reel	
Surface Mount Type	Y	
Number of Pins	2	
Material of Device	InGaAlP	

単位: mm



質量: 0.001 g (標準)