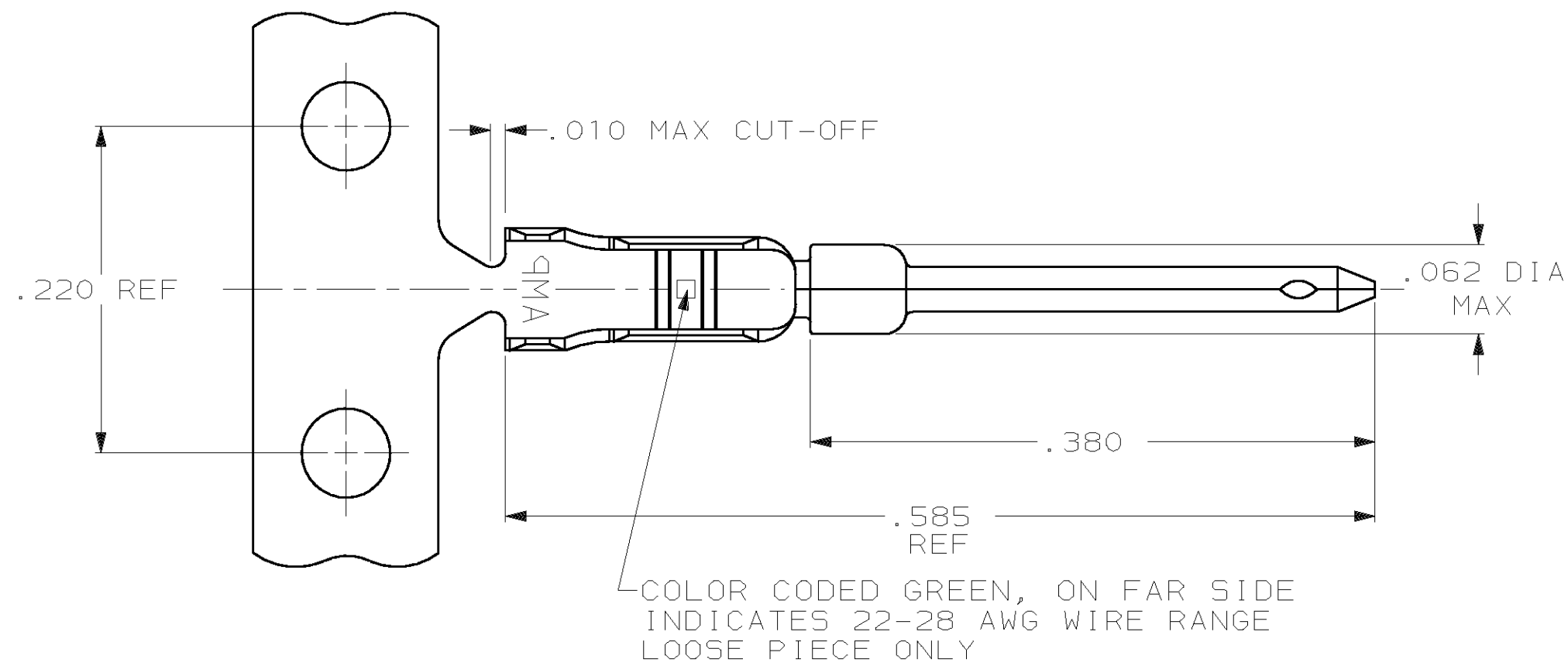
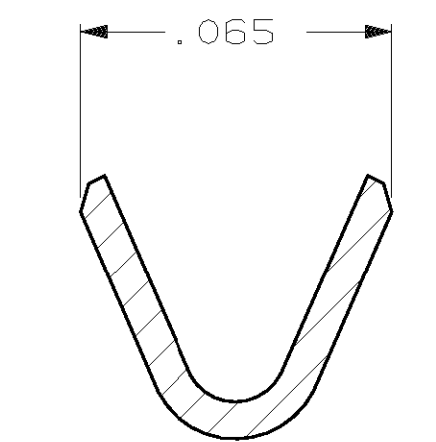
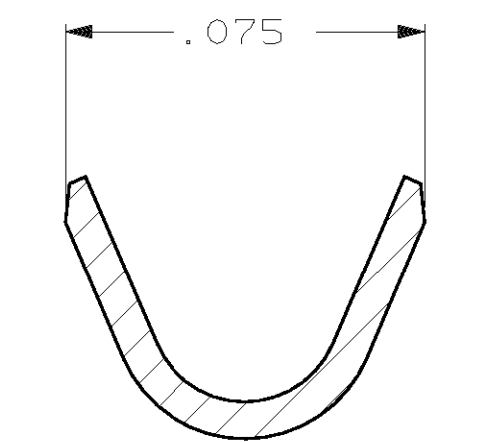
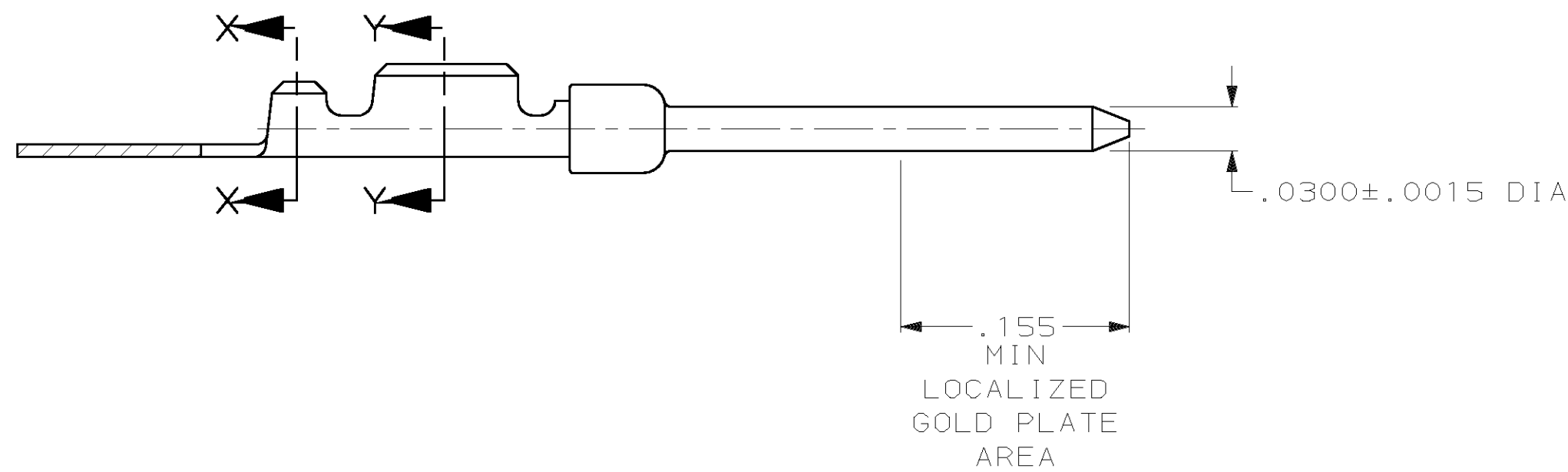


THIS DRAWING IS UNPUBLISHED. RELEASED FOR PUBLICATION, 19 .
 © COPYRIGHT 19 BY AMP INCORPORATED, HARRISBURG, PA. ALL INTERNATIONAL RIGHTS RESERVED. AMP PRODUCTS MAY BE COVERED BY U.S. AND FOREIGN PATENTS AND/OR PATENTS PENDING.

LOC	DIST	P	F	ZONE	LTR	REVISIONS	DATE	APPD
BD	48				H	DESCRIPTION		
						REV PER EC 0U1D-58-99	14SEP199	JK



- 1 FOR MINI APPLICATOR.
- 2 FOR HAND TOOL USE ONLY.
- 3. WIRE RANGE OF 22-28, INSULATION RANGE OF .030-.040.
- 4 GOLD PLATING PER MIL-G-45204, NICKEL PLATING PER QQ-N-290, TIN PLATING PER MIL-T-10727.
- 5 GOLD PLATED IN LOCALIZED GOLD PLATED AREA, 000030 MIN GOLD IN MATED AREA, .000100 MIN TIN IN WIRE & INSULATION BARRELS, BOTH OVER .000050 MIN NICKEL.
- 6 GOLD FLASH IN LOCALIZED GOLD PLATE AREA, .000100 MIN TIN IN WIRE & INSULATION BARRELS, BOTH OVER .000030 MIN NICKEL.
- 7 .000050 MIN GOLD OVER .000050 MIN NICKEL ON ENTIRE CONTACT.
- 8 GOLD PLATED IN LOCALIZED GOLD PLATED AREA, 000015 MIN GOLD IN MATED AREA, .000100 MIN TIN IN WIRE & INSULATION BARRELS, BOTH OVER .000050 MIN NICKEL.
- 9 GOLD PLATING ON THE CARRIER STRIP IS NOT REQUIRED.



OBSOLETE AMP BRAZIL USE ONLY

STANDARD	8 9	1	STRIP	1-748333-5
SMALL PACK	5	2	LOOSE PIECE	1-748333-4
STANDARD	7 9	1	STRIP	748333-9
STANDARD	-	1	STRIP	748333-8
STANDARD	6	2	LOOSE PIECE	748333-7
STANDARD	6	1	STRIP	748333-5
STANDARD	5	2	LOOSE PIECE	748333-4
STANDARD	5	1	STRIP	748333-2

PACKAGING TYPE	FINISH	USE	TYPE	PART NUMBER
----------------	--------	-----	------	-------------

UNLESS OTHERWISE SPECIFIED DIMENSIONS ARE IN INCHES TOLERANCES ON :	DR 09/25/86 C.RICHARD
2 PL DEC ± -	CHK 09/26/86 S.WELDON
3 PL DEC ± .005	APPD 09/26/86 L.BREKOSKY
ANGLES ± -	APPD 09/26/86 V.KUMAR
MATERIAL	PRODUCT SPEC
BRASS PER MIL-C-50	-
FINISH	APPLICATION SPEC
4 SEE TABLE	-
WEIGHT	-

AMP AMP INCORPORATED Harrisburg, Pa. 17105		
NAME PIN CONTACT, SIZE 22 DF, 22-28 AWG, W/.030-.040 DIA INSULATION SUPPORT		
SIZE C	F5CM NO 00779	DRAWING NO 748333
SCALE 10:1	SHEET 1 OF 1	