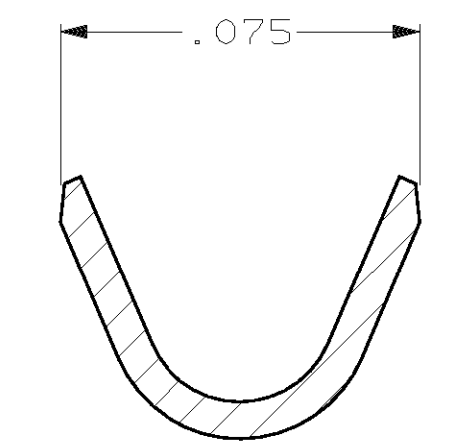
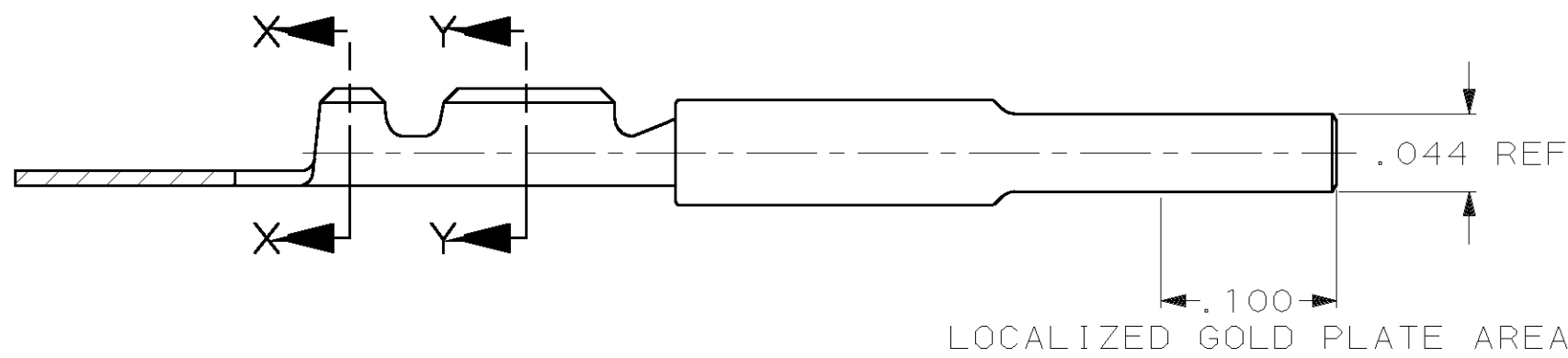
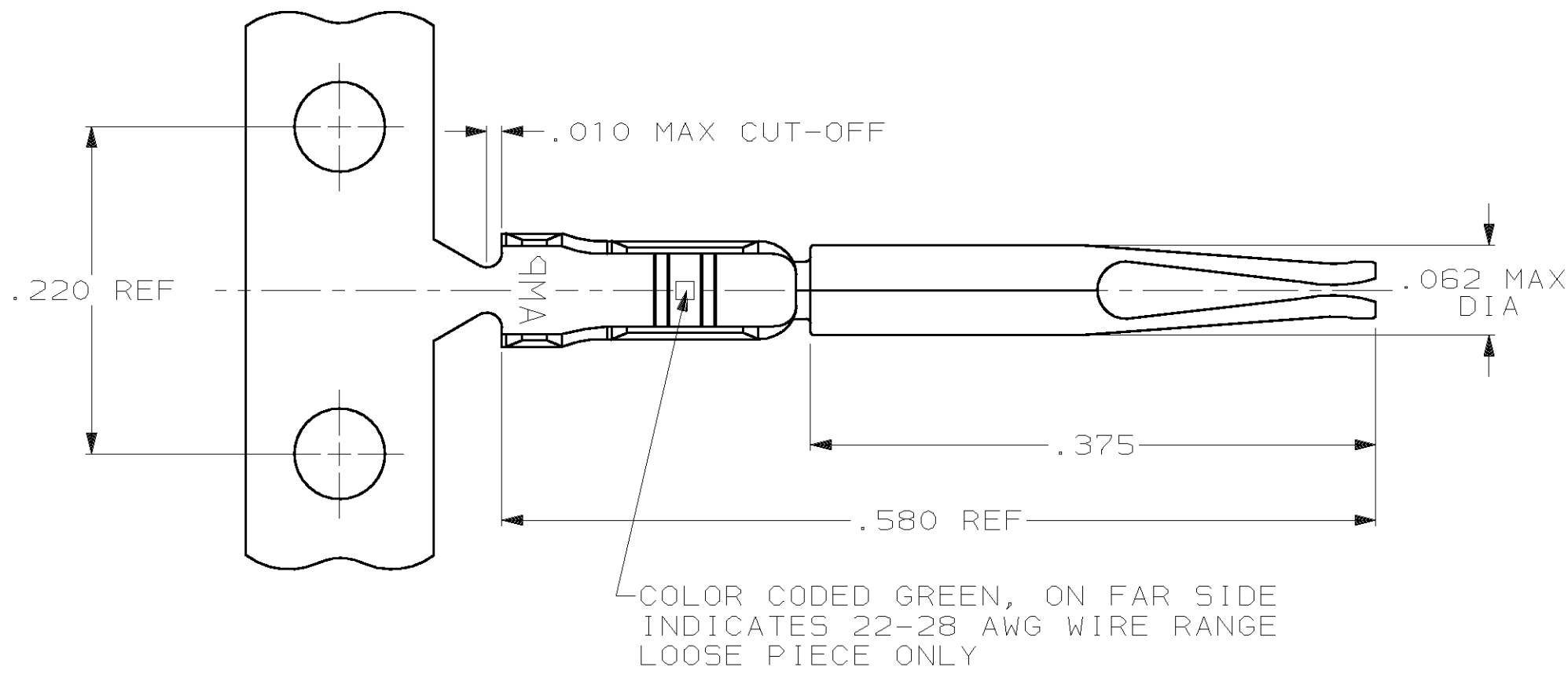
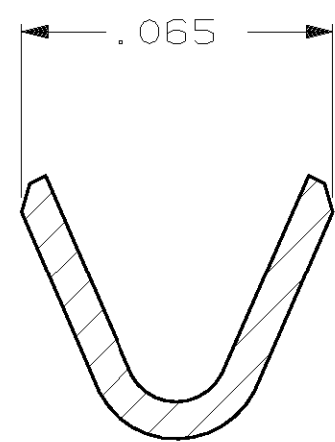


THIS DRAWING IS UNPUBLISHED. RELEASED FOR PUBLICATION, 19 .
 © COPYRIGHT 19 BY AMP INCORPORATED, HARRISBURG, PA. ALL INTERNATIONAL RIGHTS RESERVED. AMP PRODUCTS MAY BE COVERED BY U.S. AND FOREIGN PATENTS AND/OR PATENTS PENDING.

LOC		DIST		P		F		ZONE		LTR		REVISIONS		DATE	APPD
BD	48									E		REV PER EC	OU1D-58-99	14SEP99	JK



SECTION X-X
INSULATION BARREL



SECTION Y-Y
WIRE BARREL

- △1 FOR MINI APPLICATOR.
- △2 FOR HAND TOOL USE ONLY.
- 3. WIRE RANGE OF 22-28, INSULATION RANGE OF .030-.040.
- △4 GOLD PLATING PER MIL-G-45204, NICKEL PLATING PER QQ-N-290, TIN PLATING PER MIL-T-10727.
- △5 PLATED WITH .000030 GOLD IN LOCALIZED GOLD PLATE AREA, TIN PLATED WIRE BARRELS, OVER .000050 NICKEL.
- △6 PLATED WITH GOLD FLASH IN LOCALIZED GOLD PLATE AREA, TIN PLATED WIRE BARRELS, OVER .000030 NICKEL.
- △7 .000050 MIN GOLD OVER .000050 MIN NICKEL ON ENTIRE CONTACT.
- △8 GOLD PLATING ON THE CARRIER STRIP IS NOT REQUIRED.

SMALL PACK	FINISH	LOOSE PIECE	PART NUMBER
-	△6	△2	748610-1
-	△7	△8	748610-8
STANDARD	△6	-	748610-5
-	△5	-	748610-2

UNLESS OTHERWISE SPECIFIED DIMENSIONS ARE IN INCHES TOLERANCES ON : 2 PL DEC ± - 3 PL DEC ± .005 ANGLES ± -	DR 1-12-88 C.RICHARD	AMP INCORPORATED Harrisburg, Pa. 17105		
	CHK 1-14-88 W.LENKER			
	MATERIAL PHOS BRONZE PER QQ-B-750	APPD 1-14-88 L.BREKOSKY	NAME SOCKET CONTACT, SIZE 22 DF, 22-28 AWG, W/.030-.040 DIA INSULATION SUPPORT	
	FINISH SEE TABLE	APPD 1-19-88 V.KUMAR	SIZE C	F5CM NO 00779
	PRODUCT SPEC -	SCALE 10:1	SHEET 1 OF 1	
	APPLICATION SPEC -			
	WEIGHT -			