

Features:

- * Universal AC Input 90—264Vac
- * Low ripple & noise
- * No minimum load requirement
- * 100% burn in test
- * 1 year warranty
- * Safety: UL, cUL, GS, CB, CE, FCC,CCC



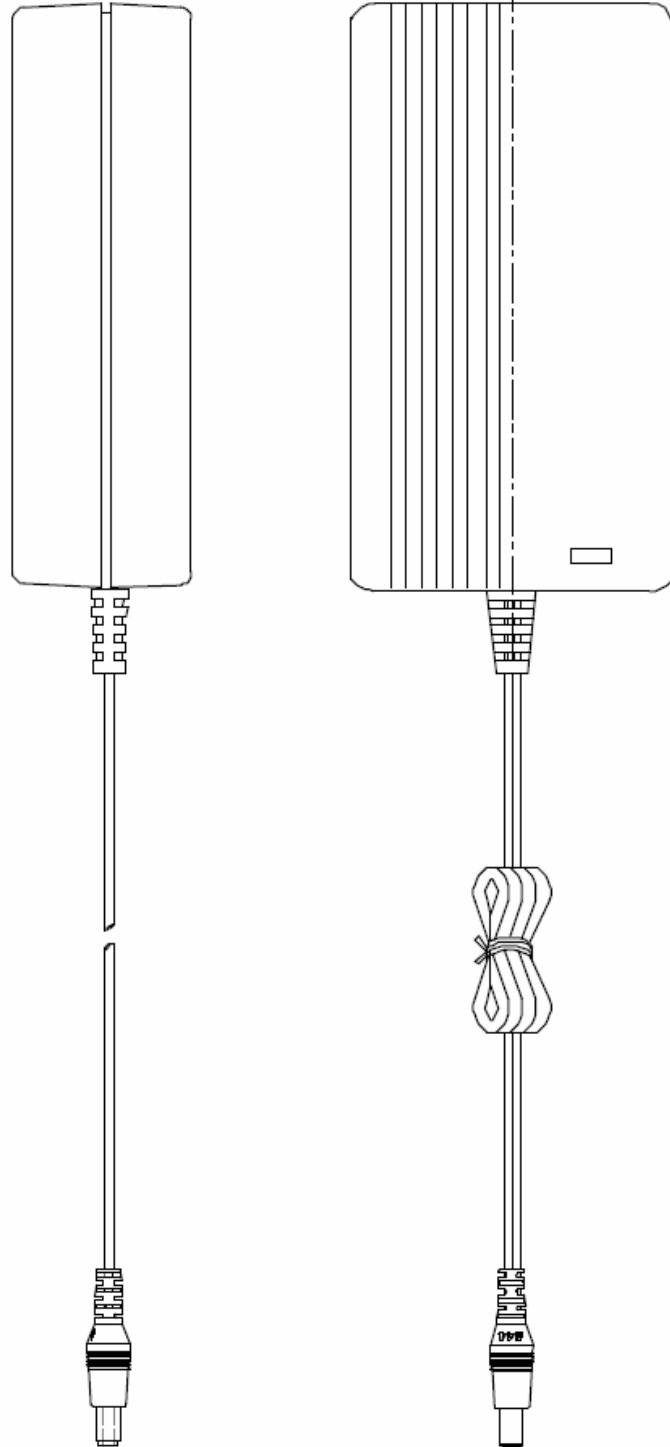
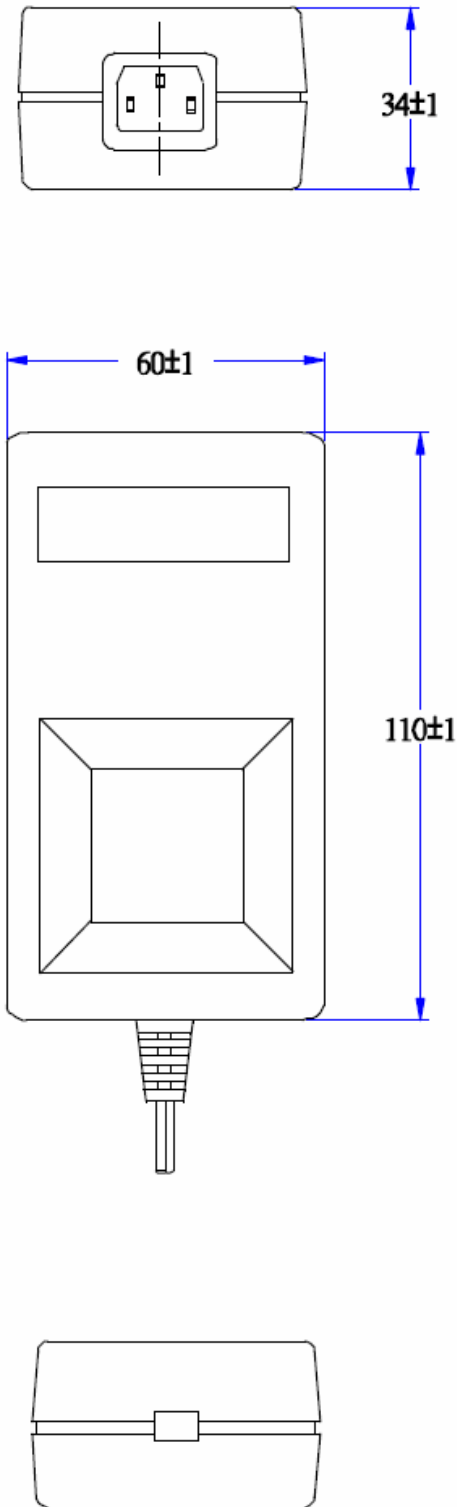
SPECIFICATION:

MODEL NO.	EPA-201D-05	EPA-201-06	EPA-201-07	EPA-201-09	EPA-201D-10	EPA-201-12	EPA-201D-15	EPA-201D-16	EPA-201D-18	EPA-201D-20	EPA-201D-24	EPA-241D-12
PART NO.	T2502ST	T2503ST	T2504ST	T2505ST	T2506ST	T2507ST	T2508ST	T2509ST	T2510ST	T2511ST	T2512ST	T2368ST
OUTPUT:												
Voltage	5V	6V	7V	9V	10V	12V	15V	16V	18V	20V	24V	12V
Current (Max)	4.0A	3.3A	2.85A	2.2A	2.0A	1.66A	1.33A	1.25A	1.1A	1.0A	0.83A	2.0A
Current (Min)	0A											
Line Regulation	+/-1%											
Load Regulation	+/-5%											
Over Voltage Protection	6.46-7.14VDC O/P Shutdown	7.1-7.9VDC O/P Shutdown	8.5-9.4VDC O/P Shutdown	11.4-12.6VDC O/P Shutdown	14.5VDC Max O/P Shutdown	15-18VDC O/P Shutdown	17.1-18.9VDC O/P Shutdown	17.1-18.9VDC O/P Shutdown	18-21VDC O/P Shutdown	22.8-25.2VDC O/P Shutdown	25.6-28.3VDC O/P Shutdown	15-18VDC O/P Shutdown
Short Circuit Protection	O/P Shutdown Auto Restart											
Ripple Voltage (L.F)	150mV p-p	150mV p-p	150mV p-p	150mV p-p	150mV p-p	150mV p-p	150mV p-p	180mV p-p	180mV p-p	200mV p-p	240mV p-p	150mV p-p
O/P Connector (1.8M Jack Lead)	2.1x5.5x12mm Centre +VE											
SAFETY:												
Hi Pot Test I/P-O/P	1.5KVAC or 2121VDC											
Insulation I/P-O/P	100Mohm											
TEMPERATURE:												
Operating	0 to 40°C											
Storage	-10 to 75°C											
HUMIDITY:												
Operating	20% to 85% Non Condensing											
Storage	10% to 95% Non Condensing											
INPUT:												
Voltage	90 to 264VAC											
Frequency	47 to 63Hz											
Current RMS (Max)	600mA											
Inrush Current	30/50A											
Leakage Current	3.5mA											
Efficiency (Min)	60% Min											
MTBF	50K Hours											
Safety	UL 60950-1, CSA C22.2 No. 60950-1, EN 60950-1, IEC 60950-1, GB 4943											
Additional Safety	PSE	PSE	PSE	PSE	PSE	PSE	PSE	PSE				PSE
EMI	FCC CFR 47 PART 15, GB 9254, EN 55022 EN 61000-3											
EMS	EN 50024 (EN 61204-3), GB 17625 EN 61000-4											

EPA-201D-XX 20 WATT SERIES

Dimensions:

Weight: 220g Approx.



1 ARKWRIGHT ROAD, READING, BERKS. RG2 0LU

TEL: 0118 9311199

FAX: 0118 9311145

E-Mail: info@stontronics.co.uk www.stontronics.co.uk