



Application:

Glass-fibre reinforced polyester enclosures are a valuable alternative when harsh environmental conditions prevail. They may be used where highly corrosive conditions are present, for instance in mining, petrochemical, paper mills and installations withstanding long exposure to sunlight.

Construction:

- Hot-pressed glassfibre reinforced polyester
- One-piece monoblock body
- Completely reversible
- Designed for use both indoors and outdoors
- Self-extinguishing
- Maximum working temperatures ranges from -50°C to 150°C
- Resistant to principal chemical and atmospheric agent
- Corrosion resistant
- Stable to ultra-violet rays
- High resistance to mechanical impact
- Interior face of door has grid pattern to facilitate positioning of equipment
- Built-in polyester hinges with stainless steel retaining pins built in the door and secured with safety pins
- Flush double bar lock with highly manoeuvrable key (view); key lock & padlock options possible
- Mounting panel depth adjustable supports allowing for adjustment every 12,5 mm

TECHNICAL READOUT

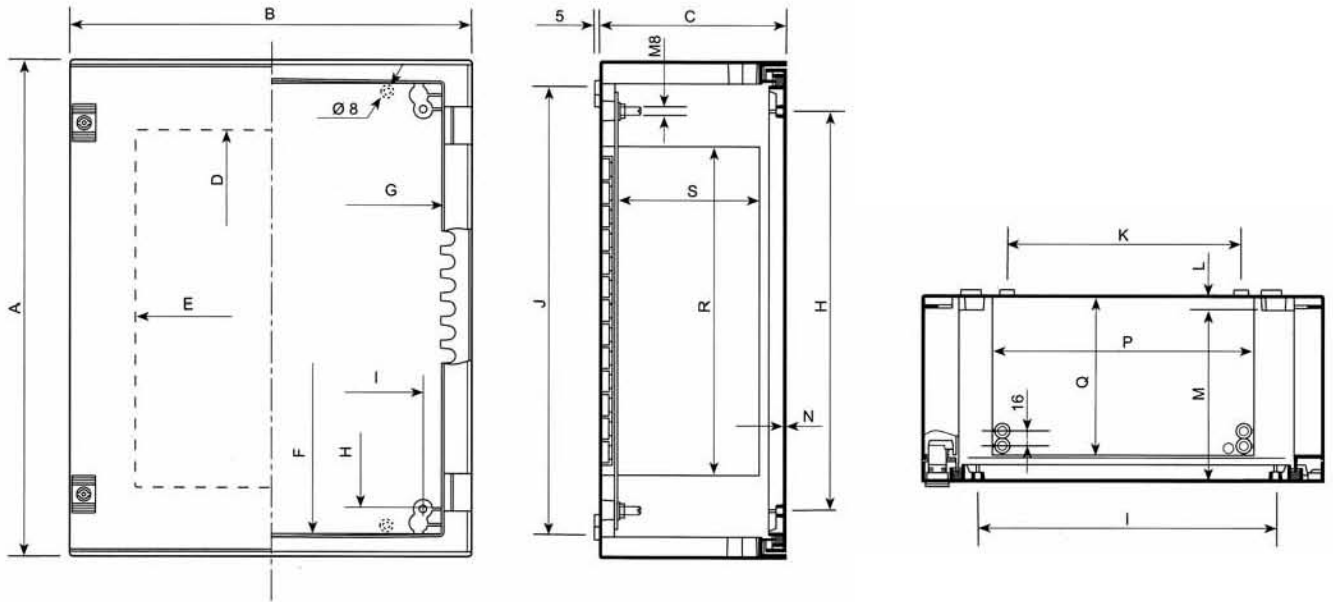
mm	PLM32	PLM43	PLM54	PLM64	PLM75	PLM86
A	310 (12inch.)	430 (17inch.)	530	647	747	847
B	215	330	430	436	536	636
C	160	200	200	250	300	300
F	270	380	480	580	680	780
G	170	260	360	360	460	560
H	225	325	425	525	625	725
I	125	225	325	325	425	525
J	275	375	475	575	675	775
K	75	150	250	250	350	450
L	8	13	13	13	15	15
M	144	181	181	228	278	278
N	2,3	2,7	2,9	2,9	3	3
P	132	179	279	279	379	479
Q	129	168	168	212	261	261
R	186	247	347	388	487	587
S	121	150	150	192	241	241

Standards:

- CSA certified 150359
- UL listed E109310
- CE

Polymel Series

IP-66 (IEC 529) Wall Mounting Polyester Enclosures

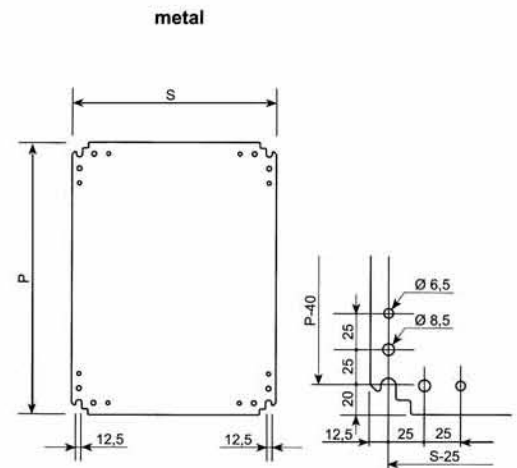


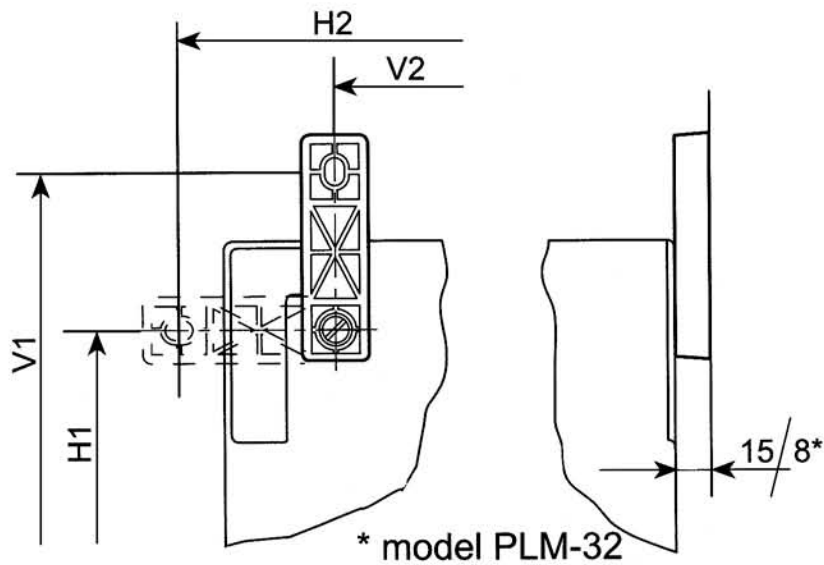
TECHNICAL READOUT

mm	PLM32	PLM43	PLM54	PLM64	PLM75	PLM86
P	265	365	465	565	665	765
S	150	250	350	350	450	550

TECHNICAL READOUT

To fit to enclosures	Metal Reference	Insulating Reference
PLM-32	MM-32	MB-32
PLM-43	MM-43	MB-43
PLM-54	MM-54	MB-54
PLM-64	MM-64	MB-64
PLM-75	MM-75	MB-75
PLM-86	MM-86	MB-86
-	-	-





TECHNICAL READOUT

To fit to enclosures	reference	Dimensions			
		horizontal position		vertical position	
		height (H1)	width (H2)	height (V1)	width (V2)
PLM-32	PF/PLM-32	-	-	-	-
PLM-43	PF/PLM	355	360	490	225
PLM-5	PF/PLM	455	460	590	325
PLM-64	PF/PLM	555	465	690	330
PLM-75	PF/PLM	655	565	790	430
PLM-86	PF/PLM	755	665	890	530

Wall Mounting Set:

Assembly for fixing the cabinet to the wall.

It is attached from the outside to the rear of the cabinet using inserts and M8 screws (included in the standard supply). Brackets made of fibre glass reinforced polyamide.

Model PLM-32 is fixed by means of self-tapping screws. The fixing pieces can be located either vertically or horizontally. The assembly is not included in the standard supply.