

[Home Page](#)
[Shortform Catalogue](#)
[Product Portfolio](#)

- [NEWS](#)
- [PRODUCTS](#)
- [DISTRIBUTION NETWORK](#)
- [EMC TEST FACILITIES](#)
- [WHO'S WHO](#)
- [NEW PRODUCTS](#)
- [HOW TO FIND US](#)
- [SERVICE / SUPPORT](#)
- [VALUE ADDED SERVICES](#)
- [Business Partner Services](#)

Tel +44 (0) 1724 273200
 Fax: +44 (0) 1724 270 230
 mailto:sales@deltron-emcon.com?subject=Web
 Enquiry Em001

[Bookmark this site](#)


DELTRON *Components Limited*

TERMINAL BINDING POST

 Sheet No. **PS 0388**

Date : 13.06.94

Issue No. 2

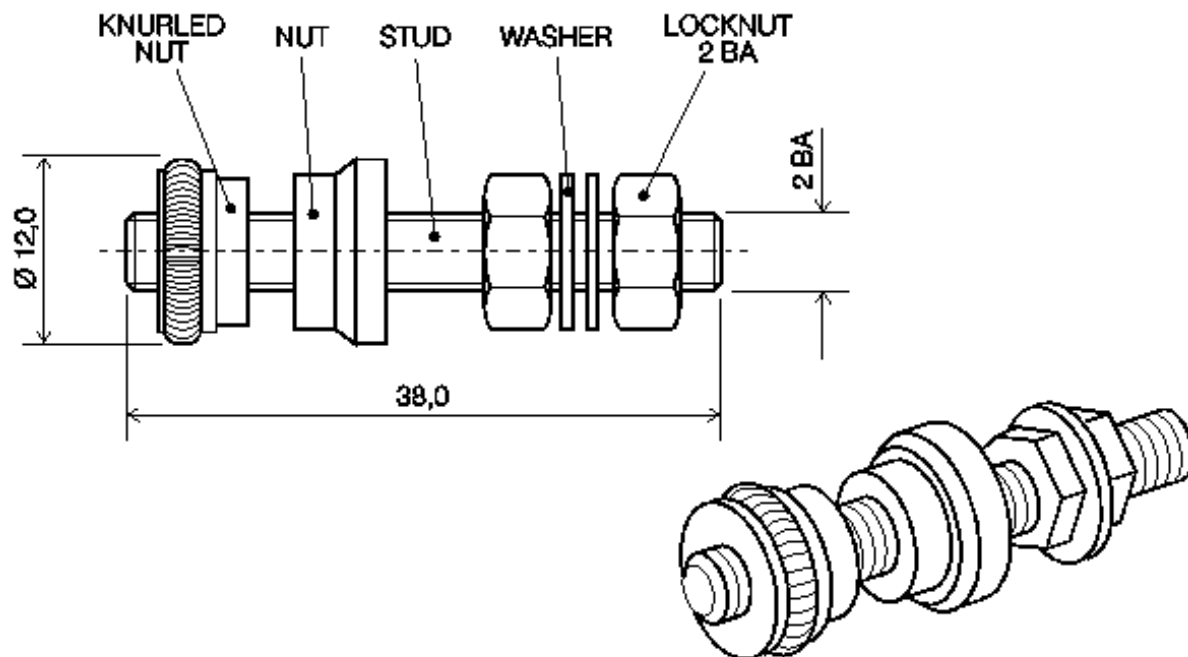
Sheet 1 of 1

Signature

 Deltron Part No. **351-0000**

PRODUCT SPECIFICATION

Dimensions



DIMENSIONS IN MILLIMETRES

Description

A non-insulated terminal binding post, manufactured from nickel plated brass, rated at 30 Amps, with a non-captive 2 BA nut. Can be used on a maximum of 12,5mm panel thickness.

Features

MATERIAL

LOCKNUT : Brass, bright nickel plate
 WASHER : Brass, bright nickel plate
 STUD : Brass, bright nickel plate
 NUT : Brass, bright nickel plate
 KNURLED NUT : Brass, bright nickel plate

Maximum : 30 Amps
Current
Rating