



Syrex LC and XN

- High sound output (110dB) for areas of high background noise
- Low current consumption
- Weatherproof to IP65
- Low voltage DC and high voltage AC for use in all applications
- Volume control for greater flexibility
- Multi purpose base with a variety of cable entries and fixing holes for easy installation
- Choice of colours

The Syrex LC is a high output, low current consumption sounder designed for fire alarm and industrial use.

Weatherproof to IP65 and with a sound output of up to 110dB, it can be used in almost any location to provide an effective alarm.

The Syrex LC XN range includes a powerful xenon beacon to provide both audible and visual alarms where required.

With a wide choice of voltages including 110/230V AC, the Syrex LC is equally suited for use in both fire alarm and industrial applications.

Applications

- Fire alarm
- Security
- Conveyors
- Cranes
- Moving machinery
- Process control alarm

Fire ✓

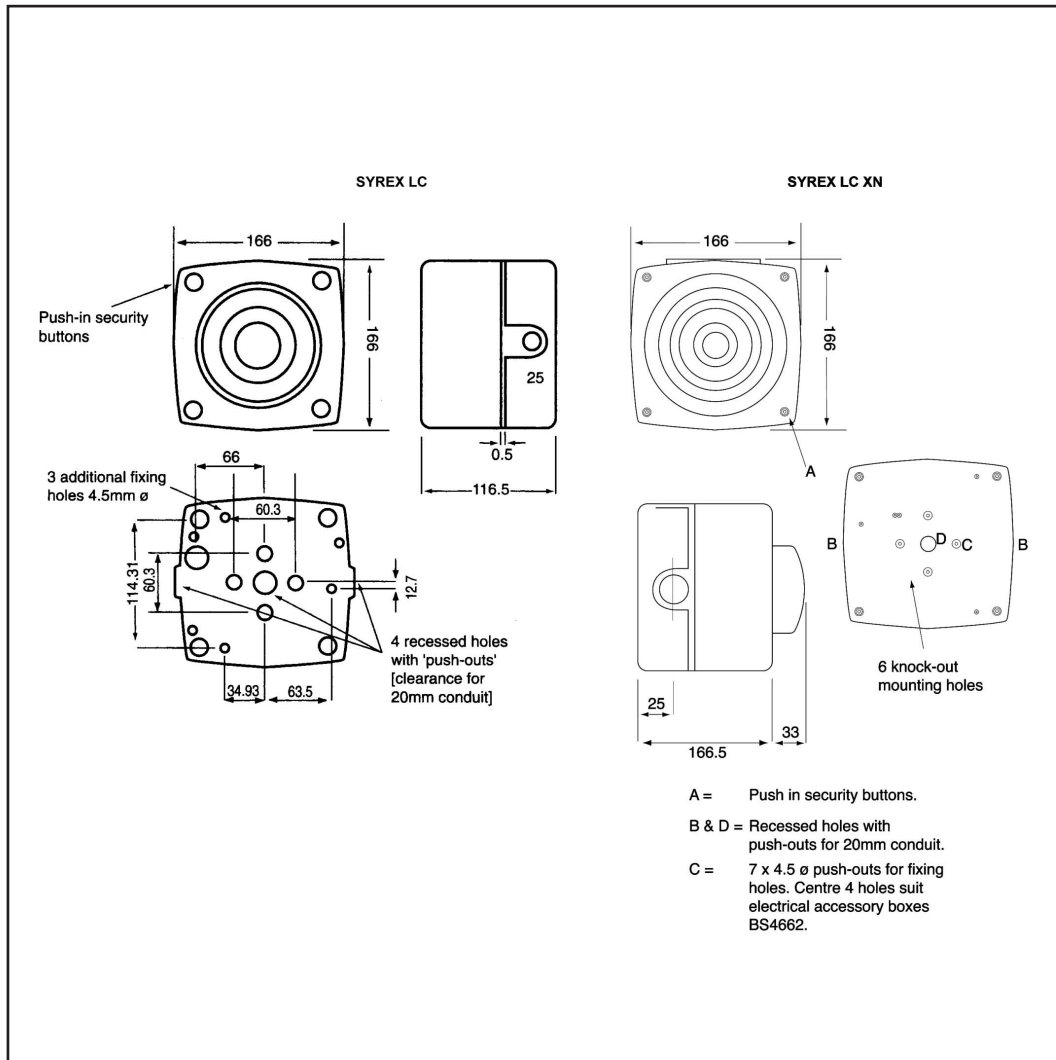
Industrial ✓

Hazardous Area ✗

Security ✓

Railway/Marine ✓

Public Warning ✗



Part No.	Colours	Audibility at 1m	Tones	Voltage	Current
18-980386	Red	110dB (A) \pm 3dB	32	8-57V DC	20mA
18-980387	White	110dB (A) \pm 3dB	32	8-57V DC	20mA
18-980388	Red	110dB (A) \pm 3dB	32	110/230V AC	40/12mA
18-980389	White	110dB (A) \pm 3dB	32	110/230V AC	40/12mA
18-980391 (XN)	Red body, Red lens	110dB (A) \pm 3dB	32	12V DC	150mA
18-980392 (XN)	Red body, Red lens	110dB (A) \pm 3dB	32	24V DC	150mA
18-980393 (XN)	Red body, Amber lens	110dB (A) \pm 3dB	32	24V DC	150mA
18-980394 (XN)	Red body, Clear lens	110dB (A) \pm 3dB	32	24V DC	150mA
18-980396 (XN)	Red body, Red lens	110dB (A) \pm 3dB	32	110/230V AC	40/30mA
18-980399 (XN)	Red body, Amber lens	110dB (A) \pm 3dB	32	110/230V AC	40/30mA
18-980400 (XN)	Red body, Clear lens	110dB (A) \pm 3dB	32	110/230V AC	40/30mA

IP Rating:	IP65
Rating:	Continuous
Frequency:	Varies according to tone selected (refer to Syrex Tones Sheet)
Operating temp:	-40°C to +55°C
Construction:	High Impact ABS Flame Retardant
Cable Entries:	3
Weight:	DC versions: 0.6kg; AC versions: 0.8kg