

General purpose crocodile clip, manufactured from bright mild steel. Large (30mm) jaw opening makes it suitable as a battery clip. The integral cable clamp has a secure 4mm screw fixing, and the enhanced finger grip ensures a simple operation.

MATERIAL
CLIP

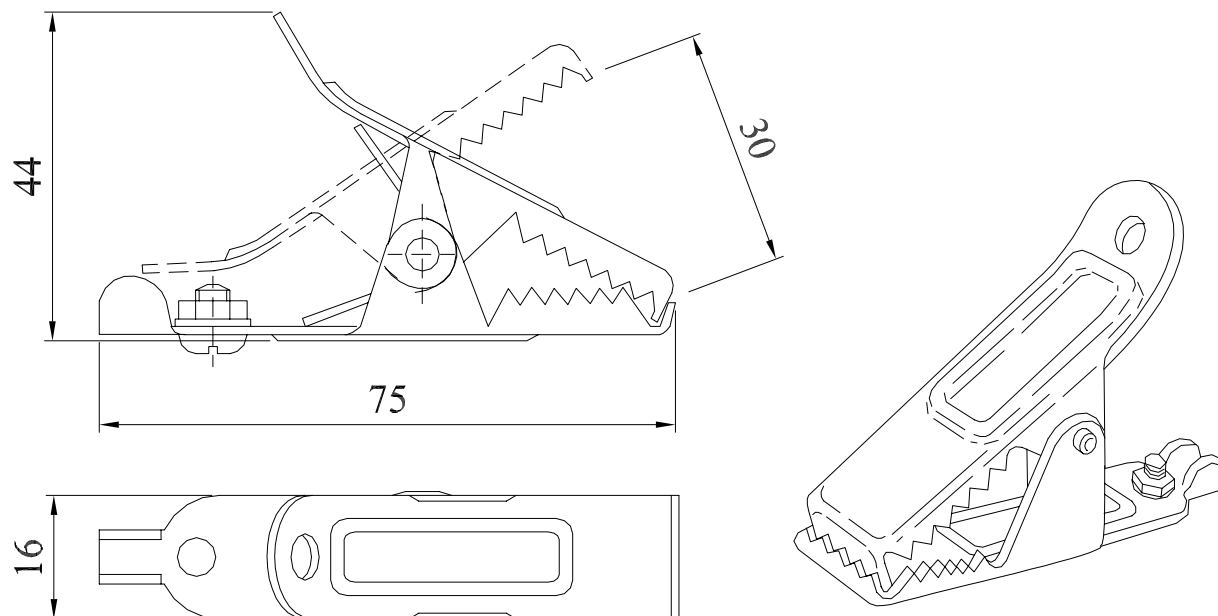
: Bright Mild Steel
CS4, nickel plated

SCREW / NUT
& WASHER

: M4 x 6mm, Steel,
nickel plated

Current Rating : 25 Amps

Dimensions



CONVERTED FROM PS00129 ISS3 (01.02.98) IN JAN 2003

| | | | | | | | |
|---------------------------|--|----------------------------|---------------------------------------|-------------|---|------------|-------------|
| DrgNo 304-0000 | | TITLE LARGE CROCODILE CLIP | | | ALL DIMENSIONS IN MM ANGLES IN DECIMAL DEGREES | | |
| DELTRON Components | | ISSUE 3 | GENERAL SPECIFICATION FOR 304-0000 | | CUSTOMER | | FILTER REF |
| | | | Aprvd Date 10/02/03 | Aprvd By MC | Drwn by BFS | Scale: NTS | Sheet 1 / 1 |