

Gear Tooth Speed and Position Sensors



Features

- Hall Effect magnetic sensing technology
- Rotation insensitivity
- Multiple sensing technologies available
- Automotive under-the-hood packaging integrity
- EMI hardened
- High frequency switching capability
- -40 °C to 150 °C continuous operating temperature
- Packard 150 Metripak connector
- Short circuit protection
- Reverse voltage protection
- Multiple mounting lengths
- Multiple connector orientations
- Open collector output

Technical data

Part number	Mounting length	Sensor type	Supply voltage	Supply current	Output current	Reverse voltage	Short circuit
50006484	31.8 mm	Position/edge	4.5 to 26.5 V	20 mA max.	20 mA max	Yes	Yes
50006485	31.8 mm	50% DC, speed	4.5 to 26.5 V	20 mA max.	20 mA max.	Yes	Yes
50006486	31.8 mm	Zero speed	4.5 to 24.0 V			No	Yes
50006488	62.4 mm	Position/edge	4.5 to 26.5 V	20 mA max.	20 mA max.	Yes	Yes
50006489	62.4 mm	50% DC, speed	4.5 to 26.5 V	20 mA max.	20 mA max.	Yes	Yes
50006490	62.4 mm	Zero speed	4.5 to 24.0 V			No	Yes

Description

A family of Hall Effect gear tooth sensors that offer various sensing technologies within a common packaging scheme to better match magnetic performance to a given application.

- Edge / position sensing for applications requiring precise reference to features on a target
- 50 % duty cycle sensing for speed sensing of actual gear teeth
- Zero speed capability

The sensor packaging incorporates design flexibility to allow mounting length as well as connector position to be configured for specific customer applications.

⚠ WARNING

MISUSE OF DOCUMENTATION

- The information presented in this product sheet (or catalogue) is for reference only. DO NOT USE this document as product installation information.
- Complete installation, operation and maintenance information is provided in the instructions supplied with each product.

Failure to comply with these instructions could result in death or serious injury.

⚠ WARNING

PERSONAL INJURY

DO NOT USE these products as safety or emergency stop devices, or in any other application where failure of the product could result in personal injury.

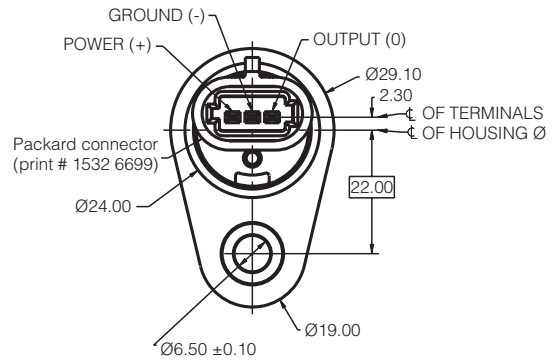
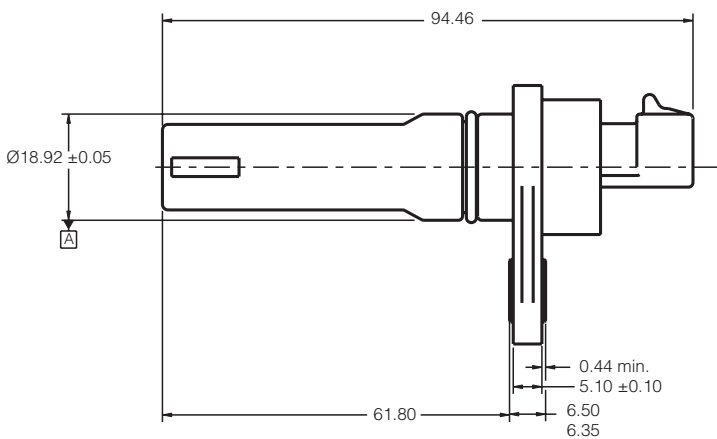
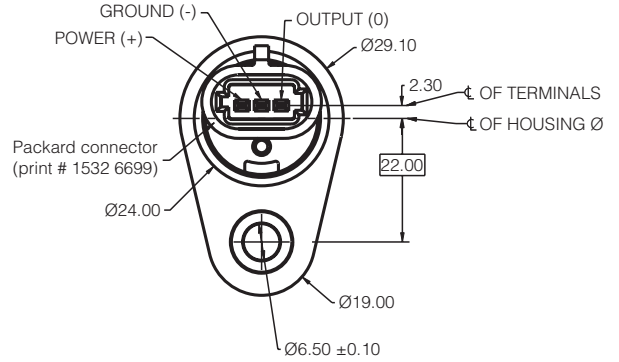
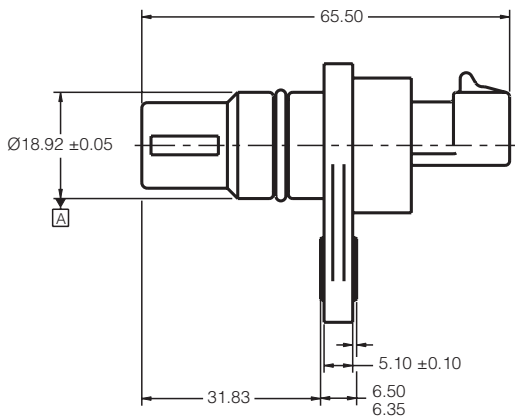
Failure to comply with these instructions could result in death or serious injury.

NOTICE

PRELIMINARY DOCUMENTATION

The information contained in this document is preliminary and for reference only. Preliminary means that the product described has not been or is currently being formally tested. Specifications are subject to change without notice. Reliance on the information contained herein is at the reader's own risk.

Mounting drawing in mm (for reference only)



This publication does not constitute a contract between Honeywell and its customers. The contents may be changed at any time without notice. It is the customer's responsibility to ensure safe installation and operation of the products. Detailed mounting drawings of all products illustrated are available on request.

Sales and Service

Honeywell serves its customers through a worldwide network of sales offices and distributors. For application assistance, current specifications, pricing or name of the nearest Authorised Distributor, contact your local sales office or:

E-mail: adolfo.cano.munoz@honeywell.com
Telephone: +44 (0) 1698 48 1642
Fax: +44 (0) 1698 481014

P r e l i m i n a r y

Automation and Control Solutions

Honeywell Control Systems Ltd
 Newhouse Industrial Estate
 Motherwell, Lanarkshire ML1 5SB
 Scotland, UK
 www.honeywell.com

Honeywell