



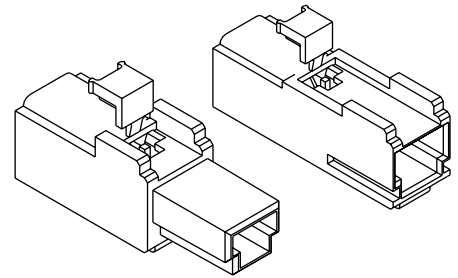
12.30mm (.484") Pitch COMPODRE™ Wire-to-Wire, Wire-to-Board Pod, Plug and Receptacle

43510/43513

Mini-Fit, Sr.™ Plug and Receptacle Pod

Power Connectors

F



FEATURES AND SPECIFICATIONS

Features and Benefits

- Fully customizable and expandable to meet your application needs
- One connector system to meet both your power and signal needs
- Offers connector consolidation and PCB real estate savings by having power and signal in one connector
- Easy to assemble or disassemble
- Uses existing interfaces, so no requalification is usually necessary
- Pods and shrouds are gender interchangeable

Electrical

Voltage: 600V
Current: 50.0A max.*
Insulation Resistance: 1000 MΩ min.

Mechanical

Contact Insertion Force: 7.0kg max.
Contact Retention to Housing: 10.0kg min.

Physical

Housing: Black polyester, UL 94V-0
Operating Temperature: -40 to +105°C

* Depending on circuit size, wire gauge and PCB. Please refer to product specification.

Reference Information

Product Specification: PS-43510-001 and PS-42815-001

Packaging: Bag

UL File No.: E29179

CSA File No.: LR19980

Mates With: [43510](#) receptacle pod mates with

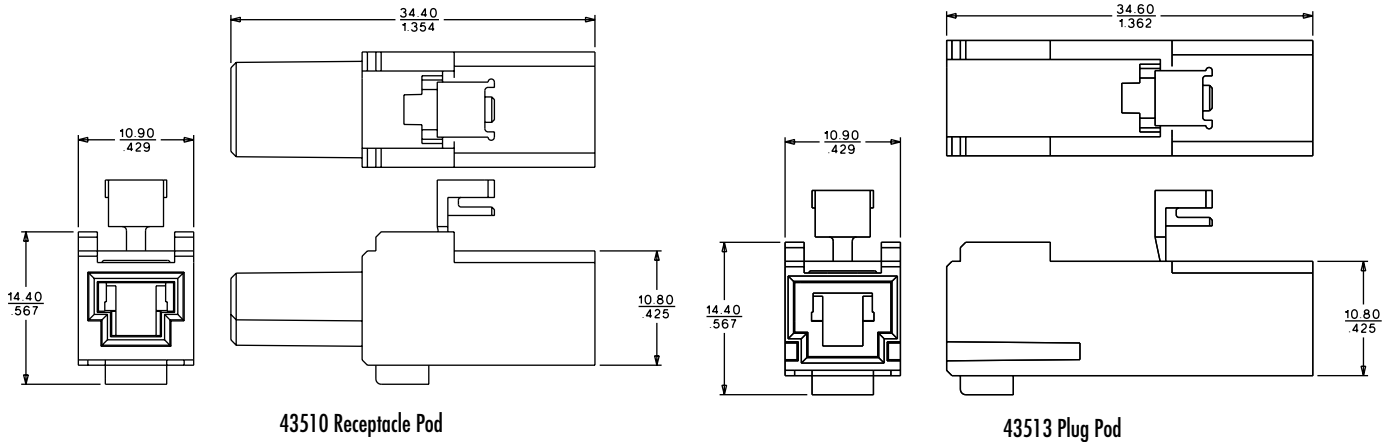
[43513](#) plug pod, [43952](#) vertical header pod or

[43953](#) right angle header pod

Use With: [43838](#) receptacle or [43839](#) plug shrouds

Designed In: Millimeters

CATALOG DRAWING (FOR REFERENCE ONLY)



ORDERING INFORMATION

Description	Order No.
1-Circuit Mini-Fit, Sr. Receptacle Pod	43510-0001
1-Circuit Mini-Fit, Sr. Plug Pod	43513-0001