

Intel® PentiumIII (FC-PGA) /933MHz



CPU Cooler sun ace MC

PDF

**PDF file of this product
It can download**

*** General specification**

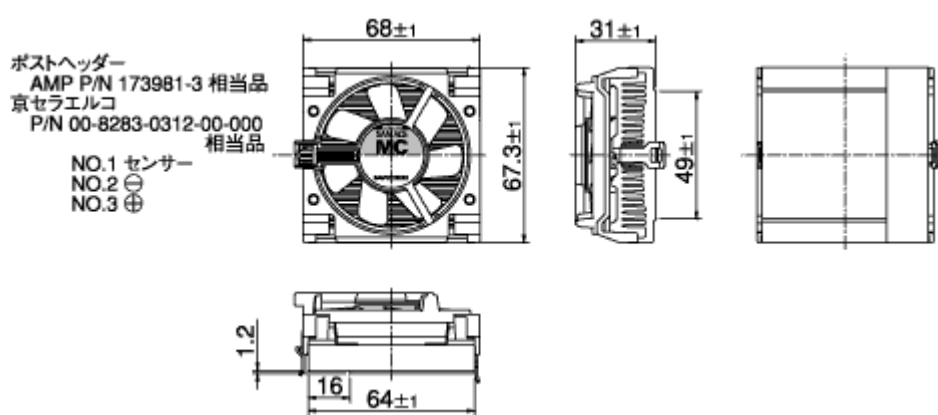
Expectation life	40,000 hours (Survival rate 90% 60 , rated voltage, continual operational free air state)
Motor protective system	Electric current cutting system (opposite connection protection functional attaching)
Withstand voltage	Between AC50/60Hz and 500V 1 minute (lead wire conductor section - between frame)
Measurement of sound level method	At 1m it measures from fan suction side
Category temperature range	The 0 ~+70 (there is no dew condensation,)
Material	Frame, feather: Resin formation item Heat sink: Aluminum
Opposite side connector	Bonding type connectorAMP 179228-3 Contact...AMP 179518-1 (rose) AMP 179227-1 (chain) Pressure welding typeAMP 173977-3

*** Specification**



Type turn	Rated voltage (v)	Service voltage range (A)	Rated current (A)	Rated rotary speed (min-1)	Heat resistance (K/W)	Overpressure value (dB [A])	Mass (g)
109X7612S2016	12	7-13.8	0.17	4800	0.90	38	130

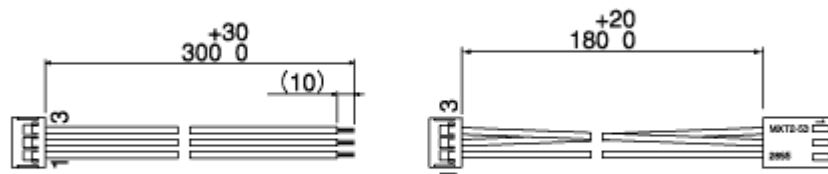
Profile



Relay harness

489-702 (センサ付き用)

489-1115



閉じる