

FEATURES AND SPECIFICATIONS

Features and Benefits

- Patented new integral Terminal Position Assurance (TPA) on female and male terminal
- Virtually eliminates terminal backout
- Four points of electrical contact
- Wire to wire; wire-to-board

Reference Information

Product Specification: PS-44441-9999
 Packaging: Chain
 UL File No.: E29179
 CSA File No.: LR19980
 Use With: [44441](#) housing
 Designed In: Inches

Electrical

Voltage: 1000V
 Current: 18.0A max.*
 Contact Resistance: 10mΩ max.
 Dielectric Withstanding Voltage: 5000V
 Insulation Resistance: 1000 MΩ min.

Mechanical

Contact Insertion Force: 2 lb max.
 Contact Retention to Housing: 20 lb min.
 Wire Pull-Out Force: 20 lb min.
 Normal Force: 3 lb nominal
 Durability: 25 cycles

Physical

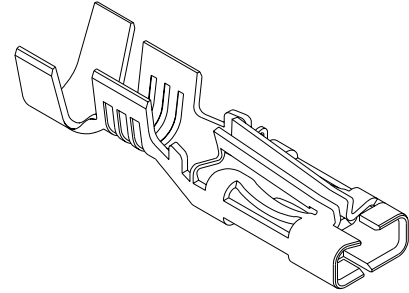
Contact: Brass
 Plating: Tin
 Operating Temperature: -40 to +75°C
 Wire Gauge: 14, 16, 18 AWG
 Insulation Diameter: 4.57mm (.180") max

* Depending on circuit size, wire gauge and PCB. Please refer to product specification.

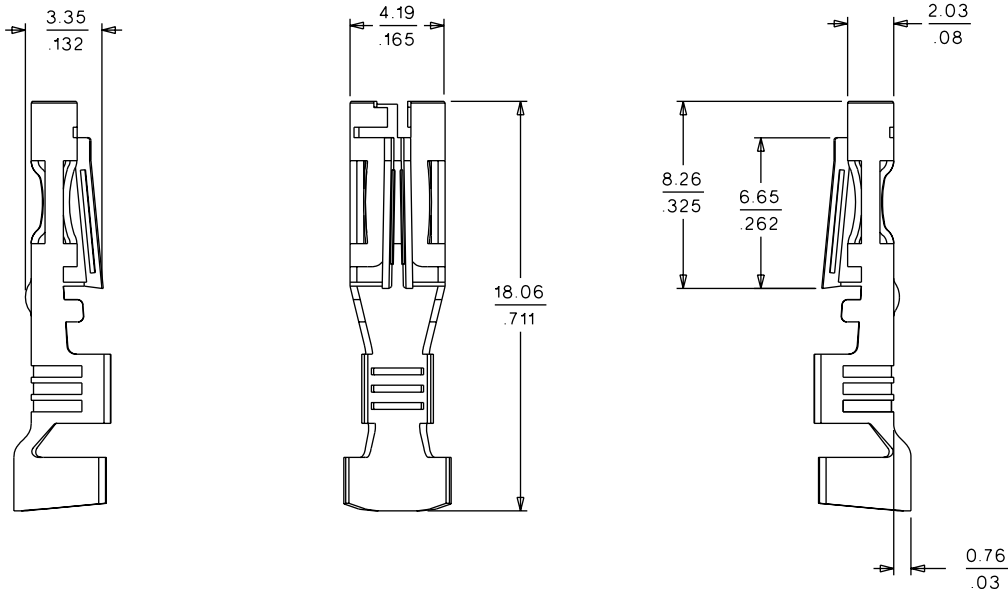
molex® 7.50mm (.295") Pitch
Sabre™

**Wire-to-Wire or
 Wire-to-Board
 Terminal**

**43375
 Female**



CATALOG DRAWING (FOR REFERENCE ONLY)



ORDERING INFORMATION AND DIMENSIONS

Order No.	Plating	Wire Size AWG	Maximum Insulation Diameter
43375-0001	Tin	14-18	3.30 (.130)
*43375-1001	Tin	14-18	4.57 (.180)

* Accommodates single or double wire crimps