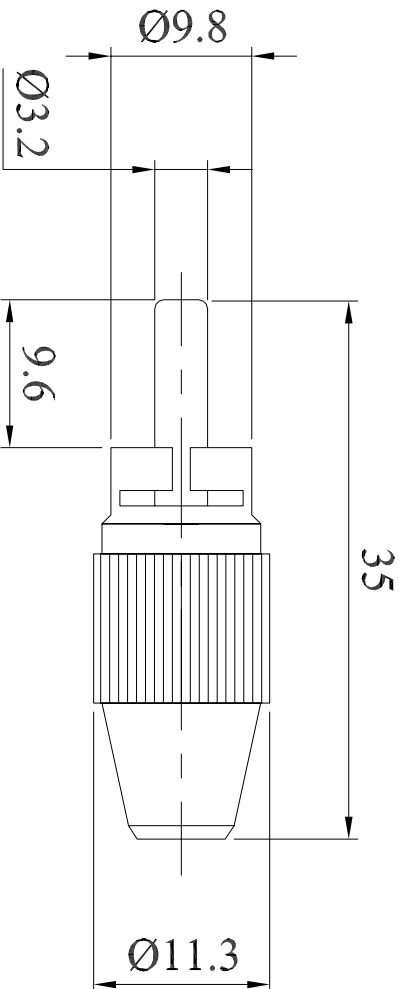


A range of plugs that are available in two pin styles; hollow or solid. The plug incorporates a unique 'T' slot design which allows the interconnection between non-standard sockets. A rigid acetal cap is offered in two colours, red or black.

- Ground contact with unique 'T' shape slots for maximum contact area.
- Internal cable clamp for secure cable connection.
- Maximum cable size 4.1mm.
- Two colours available, black or red.

Dimensions



- Material :Brass,
- Centre contact Silver plated
- Ground contact :Brass,
- Insulation Nickel plated
- Cable clamp :Noryl, SE1 UL94 V-1
- Spring :Brass,
- Body :Brass, Nickel plated
- Cap :Brass, Nickel plated
- Ratings :Acetal, UL 94 HB
- Insulation resistance :5 Amps at 200 Vdc
150 Vac max.
- Insulation resistance :100M Ω at 500 Vdc

Delttron Part No	
413-000	414-0000
415-0000	416-0000

HOLLOW PIN	BLACK	RED
NICKEL	413-0100	413-0500
GOLD	414-0100	414-0500

SOLID PIN	BLACK	RED
NICKEL	415-0100	415-0500
GOLD	416-0100	416-0500

CONVERTED FROM PS0466 ISS4 (01.07.94) IN JAN 2003

Drgn No 413-414-415-416

TITLE STANDARD PHONO PLUG WITH INSULATED HOUSING

ALL DIMENSIONS IN MM
ANGLES IN DECIMAL DEGREES



DELTRON Components

ES 4

GENERAL SPECIFICATION FOR 413-414-415-416

CUSTOMER

FILTER REF

Aprvd Date 03/02/03

Aprvd By MC

Drwn by BS

Scale: NTS

Sheet 1 / 1