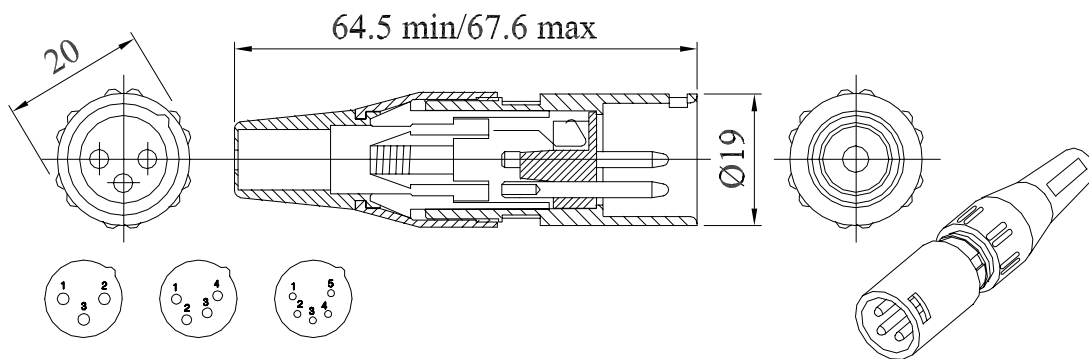


A range of audio and video connectors incorporating many innovative features.
 Assembly and disassembly is screwless and is achieved by a few turns of the back shell.
 -Available in satin nickel or matt black finish, with silver gold plated contacts.
 -The strain relief collet ensures a positive cable grip.
 -Generous solder buckets enable easier cable assembly as well as catering for larger conductor sizes.
 -A range of coloured plastic coding rings is also available, each with a single number moulded in, offering a quick and easy system of channel identification.

(Note: these connectors are not suitable for mains applications)

Dimensions



INSERT ARRANGMENT

Deltron Part No	Silver Contacts		Gold Contacts	
	Nickel	Black	Nickel	Black
3-Way	801-0300	805-0300	803-0300	807-0300
4-Way	801-0400	805-0400	803-0400	807-0400
5-Way	801-0500	805-0500	803-0500	807-0500

Mechanical Properties

Cable retention
 Cable range
 Housing
 Contact base
 Contacts
 Strain Relief
 Sealing ring
 Chuck
 Screw collar
 Screen
 Interchangeable
 Connector ident
 Ident options
 Operating Temp
 Insertion force
 Withdrawal force
 Min No. insertions

Chuck and screw collar
 Ø 2.8mm to Ø 8.0mm
 Zinc high pressure diecasting
 satin nickel or black chrome
 Valox DR48
 Brass, 3 microns silver anti-tarnish
 finish or 0.5 microns gold
 P.V.C. (black)
 Santoprene (UL 94 HB)
 Acetal (UL 94 HB)
 Polycarbonate, 10% glass-filled
 Lexan, black
 Spring Steel, 3 microns silver
 anti-tarnish
 Spring on coloured rings
 Acetal (UL 94 HB)
 Black, Brown, Red, Orange, Yellow,
 Green, Blue, Violet, Grey, White
 -30°C to +80°C
 20N
 10N
 5000

Electrical Properties

Number of contacts
 Rated current per contact
 Maximum wire size
 (solid)
 Cap. Between contacts
 Rated voltage
 Test voltage
 Contact resistance
 Insulation resistance

3, 4 or 5
 16, 10 or 7.5 Amps
 14, 14 or 14 AWG
 2.5, 2.5, 2.5 mm²
 4, 7 or 7 pF
 250 Volts ac
 1500 Volts ac
 3m Ω
 1G Ω

CONVERTED FROM PS858 ISS2 (23.09.02) IN JAN 2003

DrgNo 801-805-803-807

TITLE PROFESSIONAL QUALITY (8000 SERIES)-CABLE PLUG

ALL DIMENSIONS IN MM
 ANGLES IN DECIMAL DEGREES

DELTRON Components

ISSUE 2

GENERAL SPECIFICATION
 FOR MULTIPOLE CONNECTOR

CUSTOMER

FILTER REF

Aprvd Date 29/01/03

Aprvd By MC

Drwn by BS

Scale: NTS

Sheet 1 / 1