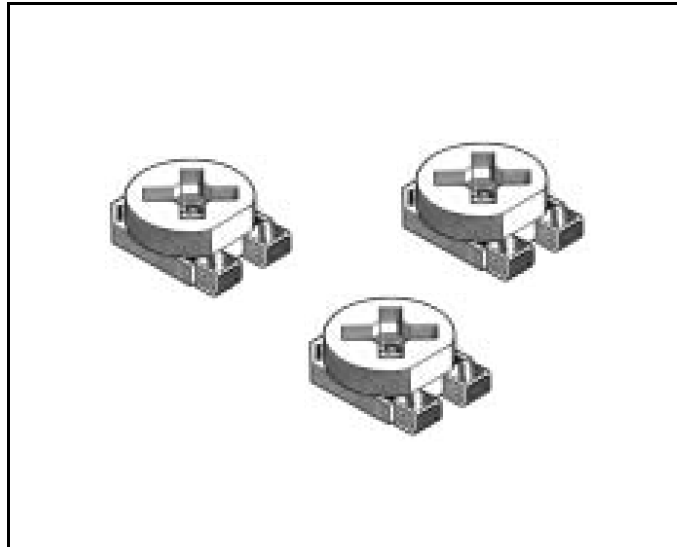


TYPE 3135 SERIES

1st April 2003
ISSUE 7

SMD Economy Trimmers



TYPE 3135 SERIES

The 3135 miniature chip trimmer incorporates the latest technology developments and has been rigorously tested to the highest standards. It has been developed specifically for new generation handheld equipment, where the design specification demands precise setting and exceptional reliability. This tiny trimmer is supplied packaged for auto assembly in 8mm plastic blister tape on 180mm reels of 2000 units.

KEY FEATURES

- Tiny 3mm Potentiometer
- Stable Cermet Element
- Weight 0.04 Grams
- Components Marked with Value
- Delta Terminals Prevent Solder Bridging
- Attractively Priced
- Packaged in Standard 8mm Tape

STOCKISTS:

This product is not stocked in Distribution.

TYPE 3135 SERIES

1st April 2003
ISSUE 7

ELECTRICAL

Resistance Range:	100R to 1M
Resistance Values:	1, 2, 5 in each decade
Resistance Tolerance:	± 25%
Resistance Law:	Linear
Temperature Coefficient of Resistance:	± 250ppm / °C (-40°C to 100°C)
Maximum Operating Voltage:	50V DC or AC RMS maximum
Resolution:	Essentially Infinite
Contact Resistance:	<5% nominal resistance
Power Rating:	0.1W at 70°C derating to zero at 100°C
Effective Electrical Angle:	270° ± 20°

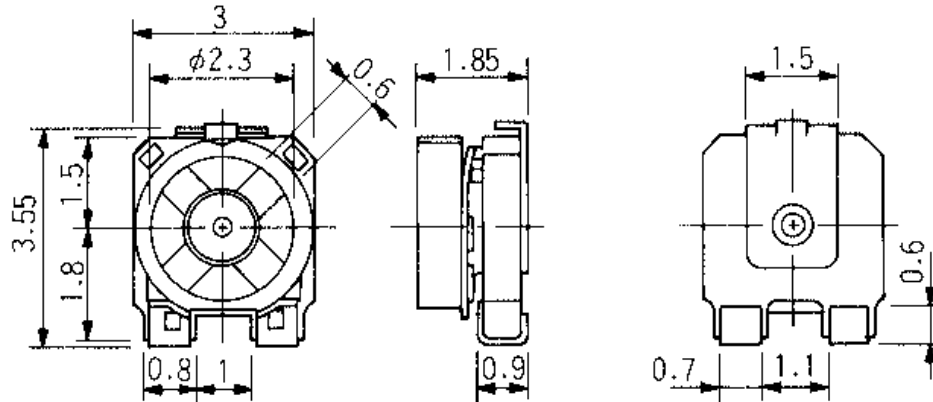
MECHANICAL

Rotational Torque:	5 to 150 gf.cm
Mechanical Adjustment:	Continuous
Weight:	0.04 grams
Marking:	2 digit resistance code on potentiometer

ENVIRONMENTAL

Temperature Range:	-40°C to +100°C
Rotational Life:	After 20 cycles $\Delta R < 10\%$
Load Life:	$\Delta R < 5\%$ after 1000 hours at 70°C
Soldering Heat:	220°C for 40 Seconds maximum.
Humidity Load Life:	$\Delta R < 5\%$ after 1000 hours 95% RH under load
High Temperature:	$\Delta R < 5\%$ after 1000 hours at 70°C

DIMENSIONS



All Dimensions are in mm.
Please Do Not Scale

Product is supplied in 2000 pieces per 7" reel

HOW TO ORDER

COMMON PART	ORIENTATION	RESISTANCE VALUE	TOLERANCE
3135 3mm Trimmer	X X - Terminals 1 and 3 away from sprocket holes	502 The first digits are significant figures of resistance value and the third one denotes the number of zeros following Example 1 K : 102 5 K : 502 100K : 104	P P - 25%

This publication is issued to provide outline information only and (unless specifically agreed to the contrary by the Company in writing) is not to form part of any order or be regarded as a representation relating to the products or service concerned. We reserve the right to alter without notice the specification, design, price or conditions of supply of any product or service. Whilst Tyco Electronics Components products are of the very highest quality and reliability, all electronic components can occasionally be subject to failure. Where failure of a Tyco Electronics Components product could result in life threatening consequences, then the circuit and application must be discussed with the Company. Such areas might include ECG, respiratory and other medical and nuclear applications and any non fail-safe applications circuit.