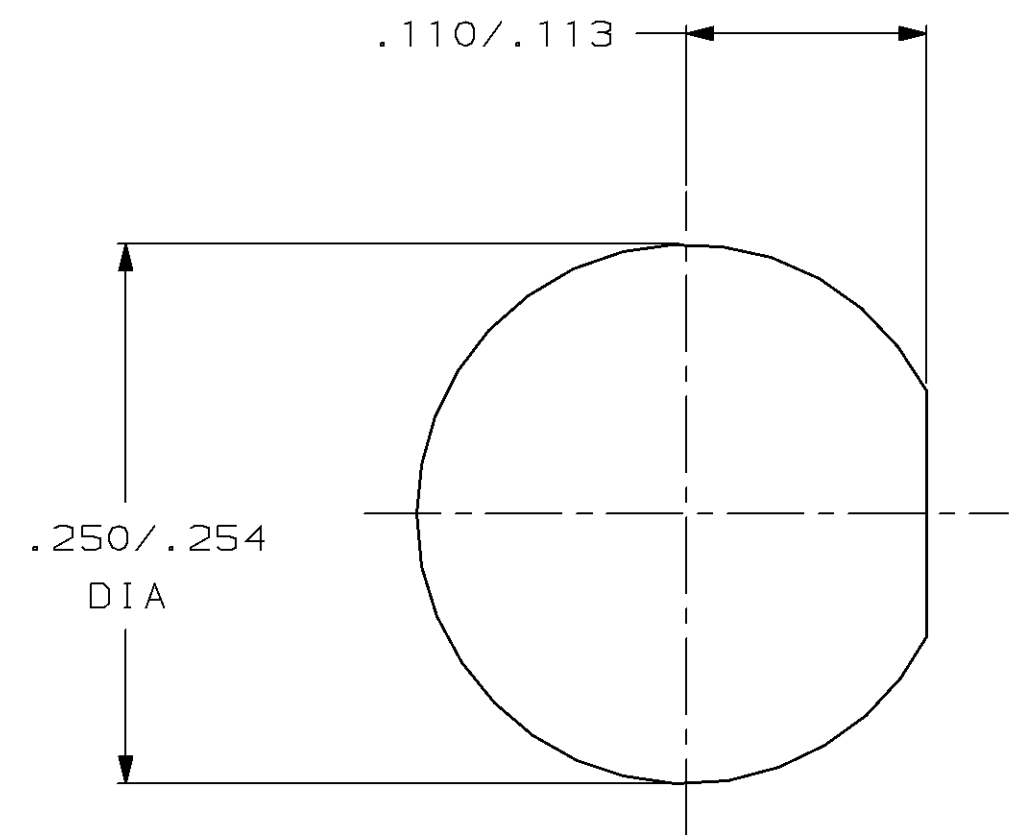
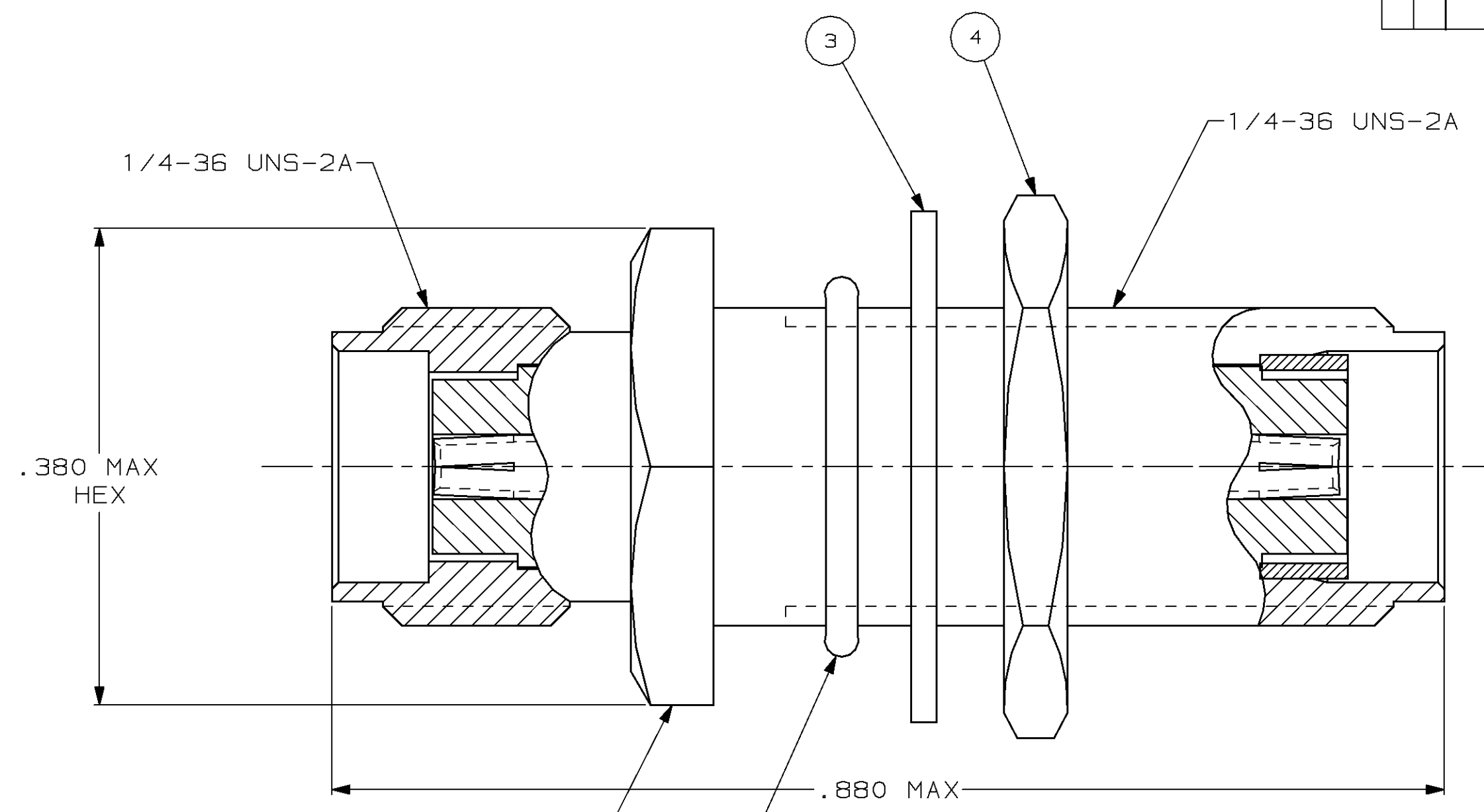


LOC	DIST	P	F	REVISIONS			
ZONE	LTR	DESCRIPTION	DATE	APPD			
AJ	16			B	REV AND REDRAWN ECN DF-3529	-	-
				C	REV PER DF-1249 TT	04-93	JC
				D	REV PER 0503-0044-96	8-22-96	JL



RECOMMENDED PANEL CUTOUT
 (MAXIMUM PANEL THK = .103)

2-332004-0	1-22145-3	1-22130-6	447197-1	221643-1
④ NUT, JAM QTY=1	③ WASHER, LOCK QTY=1	② O-RING QTY=1	① SUBASSY, SERIES SMA QTY=1	PART NUMBER

DO NOT SCALE PRINT. UNLESS SPECIFIED DIMENSIONS IN INCHES TOLERANCES ON :	DR 6-21-90 M.E.PASTAL	AMP Incorporated Harrisburg, PA 17105-3608		
	CHK 04-21-93 J. CABARLO			
2 PLC DEC ± -	APPD 04-21-93 J. CABARLO	NAME		
3 PLC DEC ± -	APPD 04-21-93 J. CABARLO	ADAPTER, JACK, BULKHEAD, SERIES SMA		
ANGLES ± -	PRODUCT SPEC			
MATERIAL	APPLICATION SPEC	SIZE	CAGE CODE	DRAWING NO
-	-	③	00779	221643
FINISH	WEIGHT	SCALE	NTS	SHEET
-	-			1 OF 1