

嵌合図 MATED CONNECTORS (SCALE: 2-1)

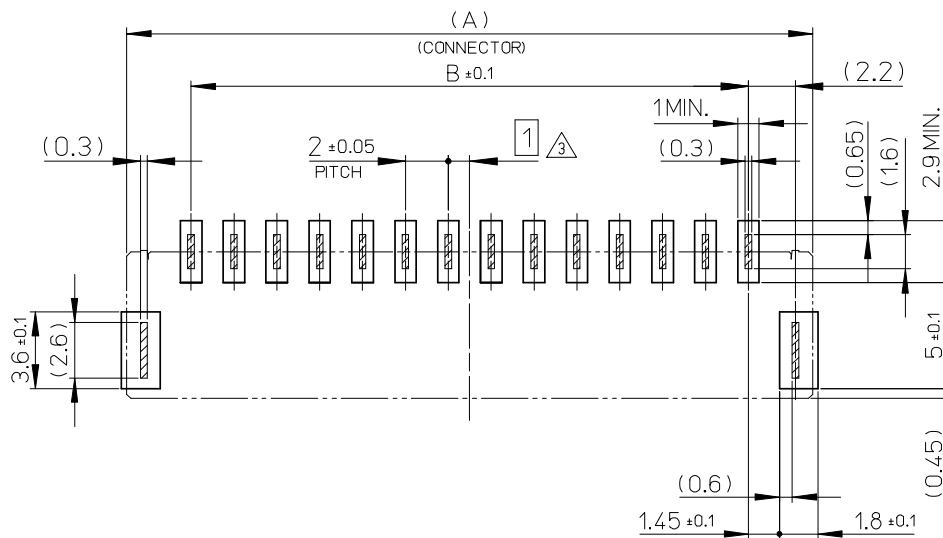
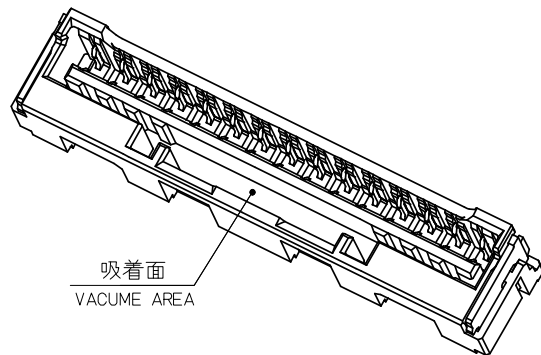
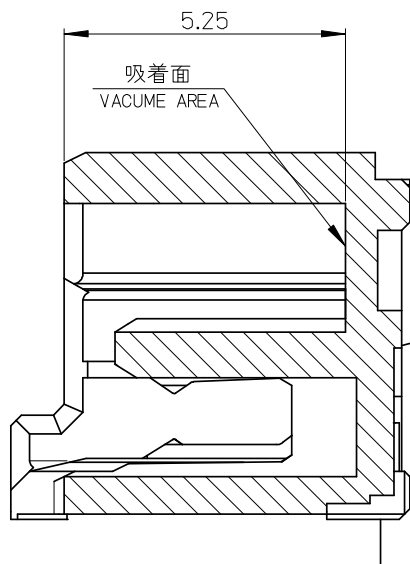
NOTES

1. 嵌合相手 : 502439-\*\*00  
MATE WITH : 502439-\*\*00
2. 端子テール部 及び ネイルの平坦度 : 0.1MAX.  
TAIL AND NAIL COPLANARITY TO BE 0.1 MAX.
- △ 3. 極数 / 2 = 偶数に適用。  
APPLY FOR CKT. SIZE / 2 = EVEN.
4. 端子テール部 及び ネイルに鋳めつきを使用しているため、  
外観に摺動痕が付く場合が御座います。  
THE WOUND OF FRICTION MIGHT ADHERE TO EXTERNALS  
BECAUSE THE TIN PLATING IS USED FOR THE TAIL AND NAIL.
5. 本製品のプラスチック部に黒点等が確認される場合や  
色合いが異なる場合がありますが、製品性能に影響はありません。  
THERE IS NO INFLUENCE IN THE PRODUCT PERFORMANCE THOUGH  
THE BLACK SPOT ETC. MIGHT BE CONFIRMED TO THE PLASTIC PART  
OF THIS PRODUCT AND THE SHADE MIGHT BE DIFFERENT.

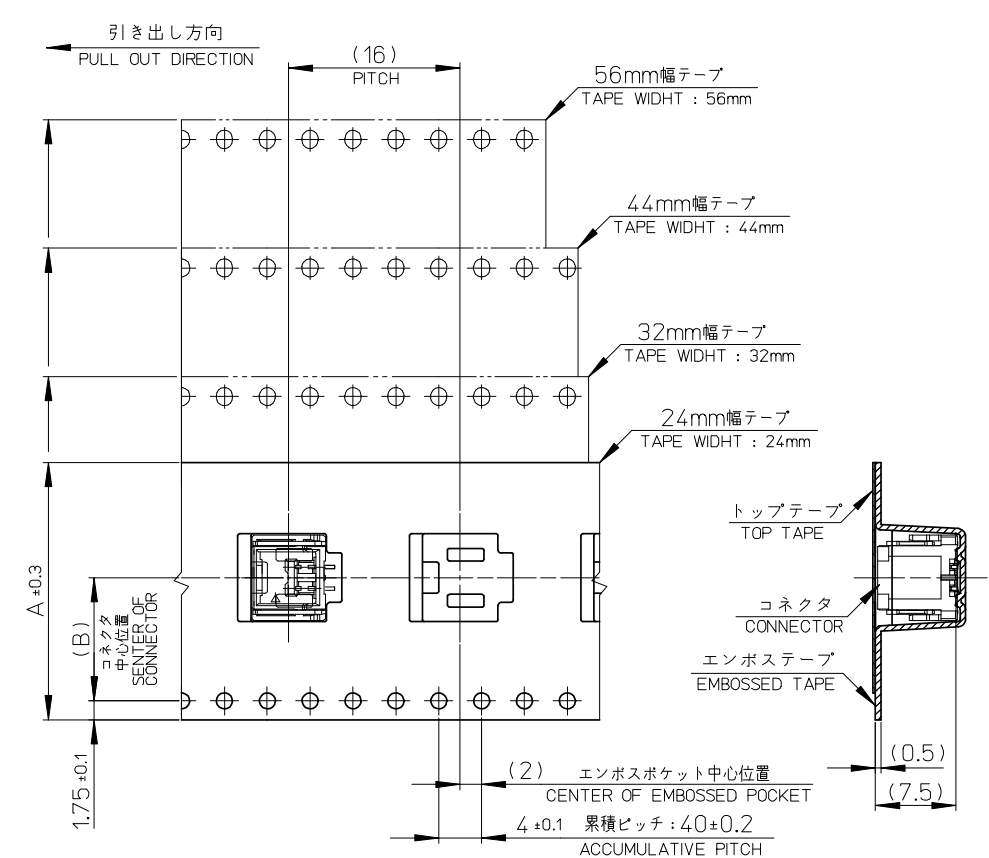
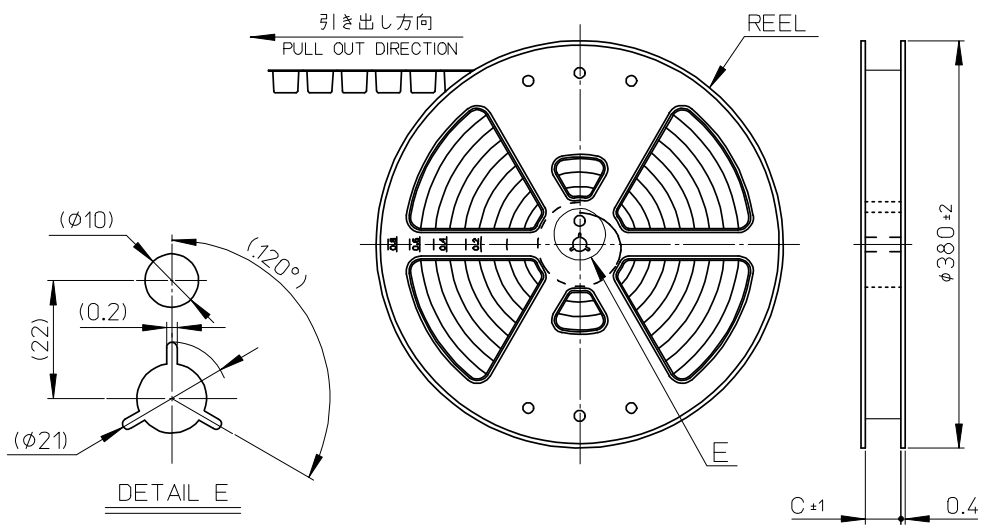
12	30	26	32	502443-1409	14
12	28	24	30	502443-1309	13
12	26	22	28	502443-1209	12
12	18	14	20	502443-0809	8
8	14	10	16	502443-0609	6
6	12	8	14	502443-0509	5
4	10	6	12	502443-0409	4
D	C	B	A	製品番号 MATERIAL NO.	極数 CKT. NO.

番号 NO.	部品 PART	材質 MATERIAL
①	ハウジング HOUSING	耐熱性樹脂 UL94V-0 色 : ナチュラル HEATPROOF RESIN UL94V-0 COLOR:NATURAL
②	ターミナル TERMINAL	銅合金 COPPER ALLOY 鋳めつき : 1.0 micro-meter MIN. TIN (TAIL AREA) ニッケルめつき(下地) : 1.0 micro-meter MIN. NICKEL (UNDER PLATING)
③	ネイル NAIL	銅合金 COPPER ALLOY 鋳めつき : 1.0 micro-meter MIN. TIN ニッケルめつき(下地) : 1.0 micro-meter MIN. NICKEL (UNDER PLATING)

REVISED EC NO: J2008-2504 DRAWN: YG010 2007/12/25 CHKD: K ASAKAWA 2007/12/25 APPR: Y0110 2007/12/25	GENERAL TOLERANCES (UNLESS SPECIFIED)		DIMENSION STYLE MM ONLY		SCALE 4:1	DESIGN UNITS METRIC	THIRD ANGLE PROJECTION	
	10 UNDER	±0.2	DRAWN BY NITO	DATE 2006/12/12	TITLE 2.0 W/B CONN. SINGLE S/T REC. ASSY -LEAD FREE-			
	10 OVER 30 UNDER	±0.25	CHECKED BY KASAKAWA	DATE 2006/12/12				
	30 OVER	±0.3	APPROVED BY Y0110	DATE 2006/12/12	MOLEX INCORPORATED			
ANGULAR ±3 °		MATERIAL NO. SEE TABLE		DOCUMENT NO. SD-502443-002				
DRAFT WHERE APPLICABLE MUST REMAIN WITHIN DIMENSIONS		THIS DRAWING CONTAINS INFORMATION THAT IS PROPRIETARY TO MOLEX INCORPORATED AND SHOULD NOT BE USED WITHOUT WRITTEN PERMISSION						

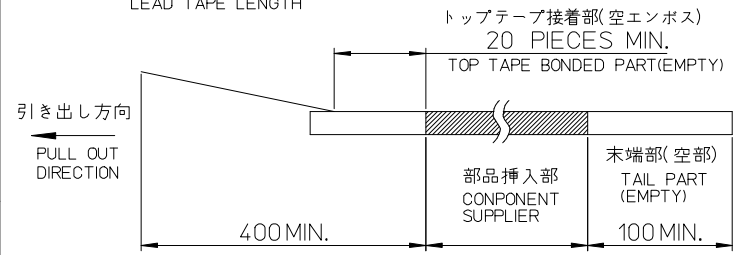


REVISED EC NO: J2008-2504 DRWN:Y010 2007/12/25 CHK:K ASAKAWA 2007/12/25 APPR:Y010 2007/12/25	GENERAL TOLERANCES (UNLESS SPECIFIED)		DIMENSION STYLE MM ONLY	SCALE 4:1	DESIGN UNITS METRIC	THIRD ANGLE PROJECTION
	10 UNDER	±0.2	DRAWN BY NITO	DATE 2006/12/12	TITLE 2.0 W/B CONN. SINGLE S/T REC. ASSY -LEAD FREE-	
	10 OVER 30 UNDER	±0.25	CHECKED BY KASAKAWA	DATE 2006/12/12		
	30 OVER	±0.3	APPROVED BY Y010	DATE 2006/12/12	MOLEX INCORPORATED	
	ANGULAR	±3 °	MATERIAL NO.	DOCUMENT NO.		
DRAFT WHERE APPLICABLE MUST REMAIN WITHIN DIMENSIONS		SIZE A3	THIS DRAWING CONTAINS INFORMATION THAT IS PROPRIETARY TO MOLEX INCORPORATED AND SHOULD NOT BE USED WITHOUT WRITTEN PERMISSION			



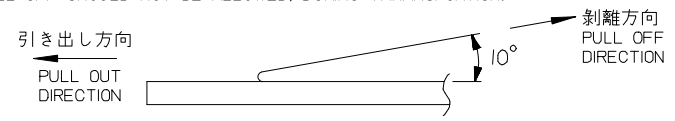
NOTES

- 製品詳細寸法については、SD-502443-002を参照下さい。  
PLEASE REFER TO SD-502443-002 FOR THE DETAILED DIMENSION OF THE CONNECTOR.
- 梱包数量：650個  
NUMBER OF CONNECTORS：650 PIECES/REEL.
- リードテープ長さ  
LEAD TAPE LENGTH



- トップテープの剥離強度：0.1~1.3N (10.2~132.5gf) (剥離方向は下図参照)  
PEELING OFF FORCE OF TOP TAPE (PEELING DIRECTION AS SHOWN IN FOLLOWING FIGURE)

尚、本規格値は、出荷時に適用。(但し、輸送時に剥離が発生しないこと)  
THIS REQUIREMENT SHOULD BE APPLIED AT SHIPMENT.  
PEEL OFF SHOULD NOT BE ALLOWED, DURING TRANSPORTATION.



- 材料  
MATERIAL  
キャリアテープ：ポリスチレン  
CARRIER TAPE：POLYSTYRENE  
トップテープ：ポリエステル、ポリエチレン、ポリエチレンテレフタレート  
TOP TAPE：POLYESTER、POLYETHYLENE、POLYETHYLENE TEREPHTHALATE  
リール：ポリスチレン<リサイクル材を含む>  
REEL：POLYSTYRENE <RECYCLE MATERIAL CONTAINED>

57.5	26.2	56	502443-1409	502443-1470	14	
45.5	20.2	44	502443-1309	502443-1370	13	
45.5	20.2	44	502443-1209	502443-1270	12	
45.5	20.2	44	502443-0809	502443-0870	8	
33.5	14.2	32	502443-0609	502443-0670	6	
25.5	11.5	24	502443-0509	502443-0570	5	
25.5	11.5	24	502443-0409	502443-0470	4	
C	B	エンボステープ幅 A WIDTH OF TAPE	コネクタ CONNECTOR	製品番号 MATERIAL NO.	モデル番号 MODEL NO.	極数 CKT. NO.

REVISED EC NO: J2008-2504 2007/12/25 DRWN:YG010 2007/12/25 CHKD:KASAKAWA 2007/12/25 APPR:YOI10 2007/12/25	DESCRIPTION	GENERAL TOLERANCES (UNLESS SPECIFIED)		DIMENSION STYLE	SCALE	DESIGN UNITS	THIRD ANGLE PROJECTION	
				MM ONLY	---	METRIC		
		10 UNDER	±0.2	DRAWN BY	DATE	TITLE		
		10 OVER 30 UNDER	±0.25	NITO	2006/12/14	EMBOSSSED TAPE PACKAGE FOR 502443		
		30 OVER	±0.3	CHECKED BY	DATE			
		ANGULAR ±3 °		KASAKAWA	2006/12/14			
		DRAFT WHERE APPLICABLE MUST REMAIN WITHIN DIMENSIONS		APPROVED BY	DATE			
				YOI10	2006/12/14			
				MATERIAL NO.	DOCUMENT NO.	SHEET NO.		
				SEE TABLE	SD-502443-003	1 OF 1		
				SIZE A3	THIS DRAWING CONTAINS INFORMATION THAT IS PROPRIETARY TO MOLEX INCORPORATED AND SHOULD NOT BE USED WITHOUT WRITTEN PERMISSION			