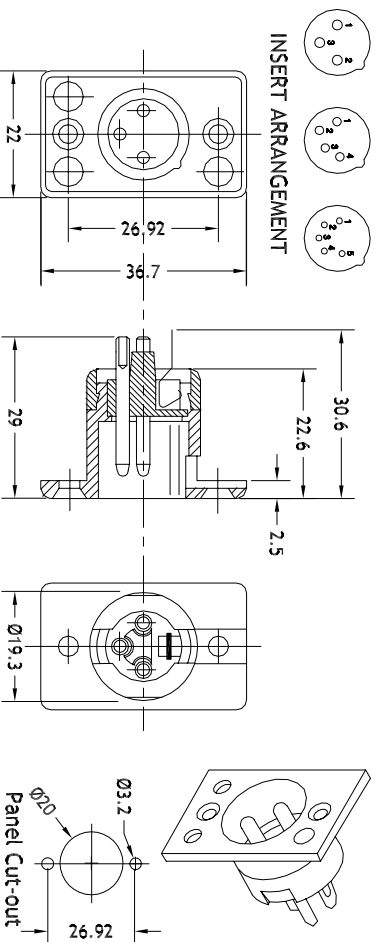


A range of panel mounting audio and video connectors incorporating many innovative features, compatible with all leading manufactures' cable sockets

- Has an internal cut out which ensures a positive and secure socket retention feature.
- Generous solder buckets enable easier cable assembly as well as catering for larger conductor sizes.
- A range of coloured plastic coding buttons is also available, offering a quick and easy system of channel identification.
- Available in satin nickel or matt black finish, with either silver or gold plated contacts.

(Note: these connectors are not suitable for mains applications.)

Dimensions



Deltron Part No	Silver Contacts		Gold Contacts	
	Nickel	Black	Nickel	Black
3-way	703-0300	711-0300	707-0300	715-0300
4-way	703-0400	711-0400	707-0400	715-0400
5way	703-0500	711-0500	707-0500	715-0500

Features

Mechanical Properties

Housing

Contact Base

Contacts

Collar

Screen

Interchangeable

Connector Ident.

Ident. Options

Operating Temp

Insertion Force

Withdrawal Force

Min No. Insertions

Electrical Properties

Number of Contacts

Rated Current per Contact

Maximum Wire Size

(solid)

Cap. Between Contacts

Rated Voltage

Test Voltage

Contact resistance

Insulation resistance

Zinc high pressure diecast

Satin nickel or black chrome

Valox DR48

Brass, 3 microns silver, anti-tarnish

Finish, or 0.5 microns gold

Polypropylene VIR 222, black

Spring Steel, 3 microns silver

Buttons

Acetal (UL 94 HB)

Black, Blue, Orange, Red, Green

Yellow, Brown, Violet, Grey, White

-30°C to +80°C

20N

10N

5000

3, 4 or 5

16, 10 or 7.5 AWG

14, 14 or 14 AWG

2.5, 2.5 or 2.5mm

4, 7 or 7pF

250 Volts a.c.

1500 Volts a.c.

3 milli-Ohms

1 giga-Ohms

CONVERTED FROM PS807 ISS3 (23.09.02) IN JAN 2003

Drgn No 703-711-707-715

TITLE PROFESSIONAL QUALITY (7000 SERIES)-PANEL PLUG

ALL DIMENSIONS IN MM
ANGLES IN DECIMAL DEGREES



DELTRON Components

ESTD 1955

3

GENERAL SPECIFICATION
FOR MULTIPOLE CONNECTOR

CUSTOMER

Aprvd Date 29/01/03

Aprvd By MC

FILTER REF

Drwn by BS

Scale: NTS

Sheet 1 / 1